

YOUR BEST THERMAL SOLUTIONS.

www.gulf.com.tw



GULF ELECTRICS was established in 1965 in Taiwan. Based on more than 50 years of experience in cooling industry, GULF has become the leader in manufacturing cooling fan & motor. With the commitment to our clients worldwide, we insist on not only every aspect of manufacturing, from material selection, analysis-based design, precise production, 100% quality control to customer-oriented service, but also through the continuous analysis and advanced technology to deliver product excellence.

Our wide product range includes AC/DC Axial fans and blowers, centrifugal fans, cross flow fans, outer rotor fans, thermal module and fan accessories, to provide you one-stop solution to fulfill all your cooling needs. All fans are made in Taiwan with high quality assurance and designed to meet UL, CE, RoHS and REACH requirements. Customization is also available including product specification and label & packaging design.

Our mission for the future is to continuously raise quality standard and keep optimizing product performance to **BE YOUR BEST THERMAL SOLUTIONS.**



Outer Rotor Motor

GULF ELECTRICS CO., LTD

Latest Product Information: www.gulf.com.tw/en
+886-7-5219966 ; service@gulf.com.tw

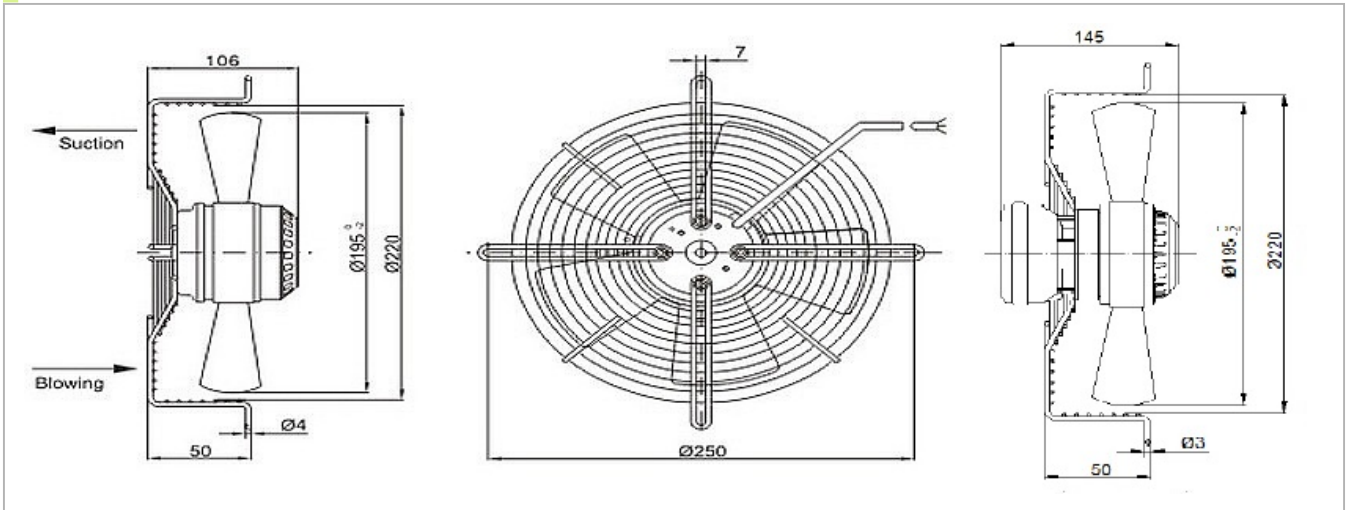




General Specifications

| | |
|--------------------|---------------|
| Airflow | 490~1000 m3/H |
| Blade | Iron |
| Frame | Iron |
| Connecting | Terminal Box |
| Type of Protection | IP54 |

Dimensions:mm



Specifications

| Model NO. | Rated Voltage VAC | Frequency HZ | Speed RPM | Airflow M3/H | Current A | Power W | Capactor uF | Noise dBA | Weight KG |
|-----------|----------------------|-----------------|--------------|-----------------|--------------|------------|----------------|--------------|--------------|
| 2E200-Z | 220/240 | 50/60 | 2700/3200 | 870/1000 | 0.35/0.42 | 80/95 | 2 | 60 | 1.9 |
| 4E200-Z | 220/240 | 50/60 | 1460/1650 | 490/560 | 0.12/0.17 | 29/38 | 1 | 48 | 1.9 |
| 2D200-Z | 3Ø 220/380/440 | 50/60 | 2650/3000 | 870/1000 | 0.16 | 70/90 | / | 60 | 1.9 |



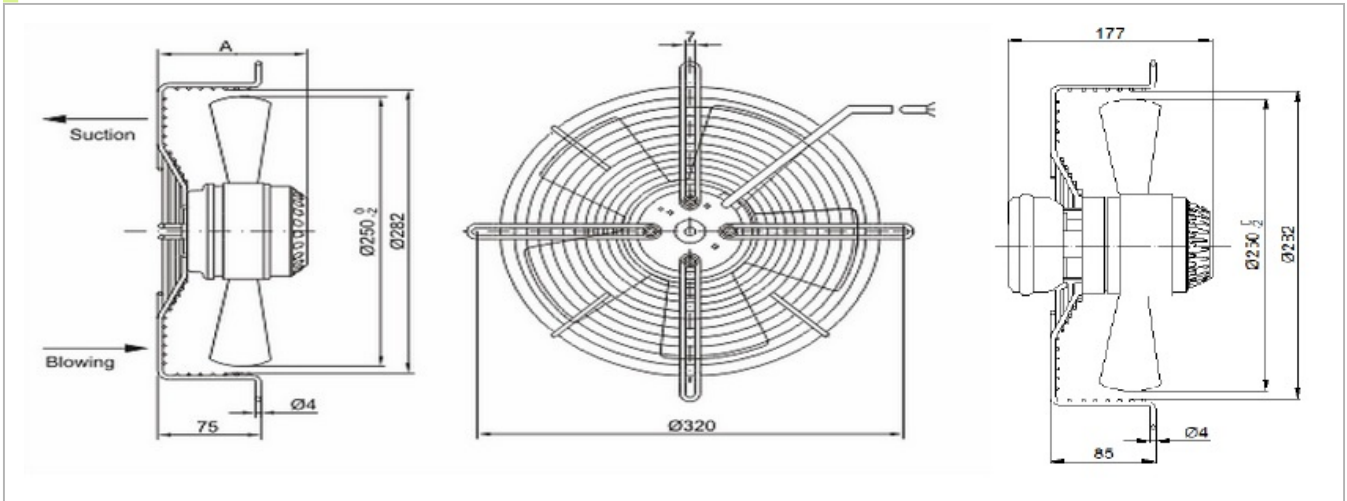
250Ø



General Specifications

| | |
|--------------------|--------------|
| Airflow | 1150 m3/H |
| Blade | Iron |
| Frame | Iron |
| Connecting | Terminal Box |
| Type of Protection | IP54 |

Dimensions:mm



Specifications

| Model NO. | Rated Voltage VAC | Frequency HZ | Speed RPM | Airflow M3/H | Current A | Power W | Capactor uF | Noise dBA | Weight KG | A |
|-----------|----------------------|-----------------|--------------|-----------------|--------------|------------|----------------|--------------|--------------|-----|
| 2E250-Z | 220/240 | 50/60 | 2500 | 1800 | 0.78 | 180 | 4 | 68 | 3.0 | 112 |
| 2D250-Z | 3Ø 220/380/440 | 50/60 | 2750/3150 | 1650/1950 | 0.33/0.59 | 160/225 | / | 70/72 | 3.2 | / |
| 4E250-Z | 220/240 | 50/60 | 1380/1530 | 1000/1150 | 0.22/0.29 | 50/65 | 1.5 | 50 | 2.5 | 104 |
| 4D250-Z | 3Ø 220/380/440 | 50/60 | 1350/1550 | 1000/1150 | 0.13/0.15 | 60/70 | / | 50 | 2.7 | 102 |



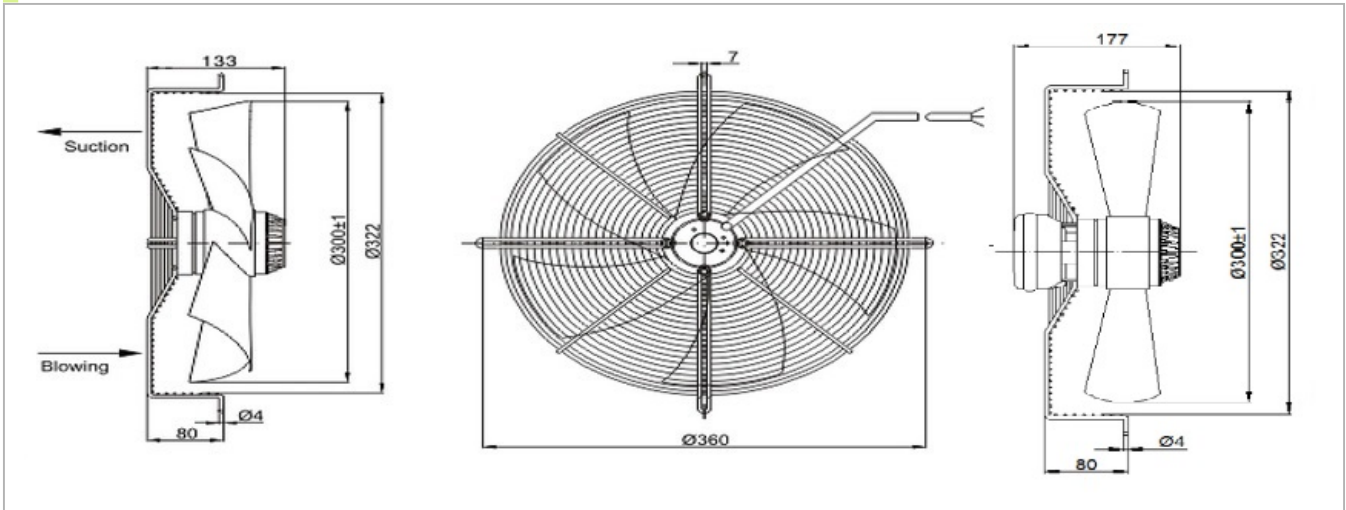
300Ø



General Specifications

| | |
|--------------------|----------------|
| Airflow | 3000~3200 m3/H |
| Blade | Iron |
| Frame | Iron |
| Connecting | Terminal Box |
| Type of Protection | IP54 |

Dimensions:mm



Specifications

| Model NO. | Rated Voltage VAC | Frequency HZ | Speed RPM | Airflow M3/H | Current A | Power W | Capactor uF | Noise dBA | Weight KG |
|-----------|----------------------|-----------------|--------------|-----------------|--------------|------------|----------------|--------------|--------------|
| 2E300-Z | 220/240 | 50/60 | 2530 | 3000 | 1.1 | 250 | 6 | 70 | 4.7 |
| 2D300-Z | 3Ø 220/380/440 | 50/60 | 2500/2640 | 3000/3200 | 0.45/0.53 | 250/340 | / | 72 | 4.7 |





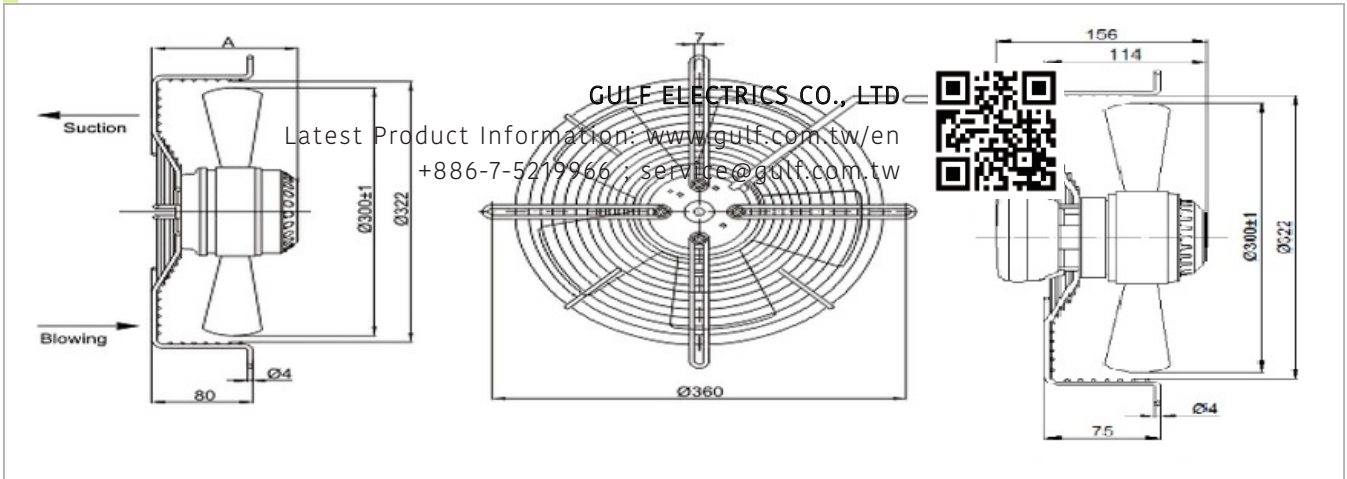
300Ø-4P



General Specifications

| | |
|--------------------|----------------|
| Airflow | 1900/2100 m3/H |
| Blade | Iron |
| Frame | Iron |
| Connecting | Terminal Box |
| Type of Protection | IP54 |

Dimensions:mm



Specifications

| Model NO. | Rated Voltage VAC | Frequency HZ | Speed RPM | Airflow M3/H | Current A | Power W | Capacitor uF | Noise dBA | Weight KG | A |
|-----------|----------------------|-----------------|--------------|-----------------|--------------|------------|-----------------|--------------|--------------|-----|
| 4E300-Z | 220/240 | 50/60 | 1370/1500 | 1900/2100 | 0.38/0.48 | 90/115 | 3 | 55 | 3.2 | 112 |
| 4D300-Z | 3Ø 220/380/440 | 50/60 | 1400/1600 | 1950/2150 | 0.26/0.24 | 95/120 | / | 55 | 4 | / |

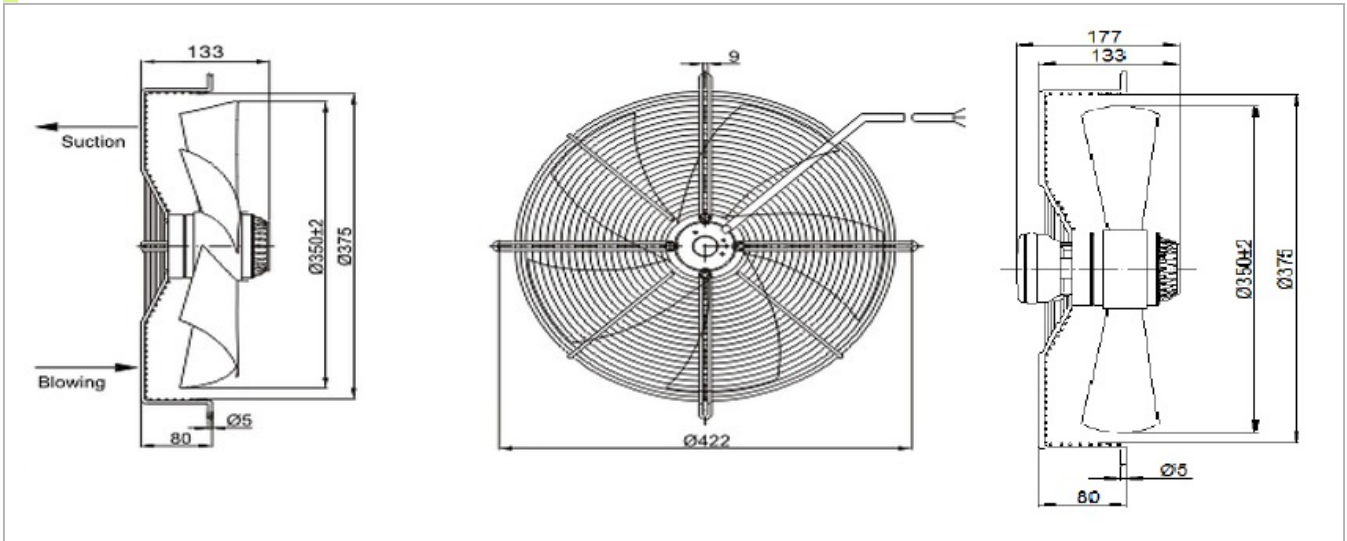
350Ø



General Specifications

| | |
|--------------------|----------------|
| Airflow | 2100~3550 m3/H |
| Blade | Iron |
| Frame | Iron |
| Connecting | Terminal Box |
| Type of Protection | IP54 |

Dimensions:mm



Specifications

| Model NO. | Rated Voltage VAC | Frequency HZ | Speed RPM | Airflow M3/H | Current A | Power W | Capactor uF | Noise dBA | Weight KG |
|-----------|----------------------|-----------------|--------------|-----------------|--------------|------------|----------------|--------------|--------------|
| 4E350-Z | 220/240 | 50/60 | 1370/1500 | 2980/3550 | 0.68/0.82 | 138/190 | 4 | 62 | 4.7 |
| 6E350-Z | 220/240 | 50/60 | 930/1100 | 2100/2450 | 0.4/0.42 | 80/95 | 2 | 53 | 4.7 |
| 4D350-Z | 3Ø 220/380/440 | 50/60 | 1390/1560 | 3110/3550 | 0.37/0.35 | 145/185 | / | 63 | 4.7 |
| 6D350-Z | 3Ø 220/380/440 | 50/60 | 940/1100 | 2100/2450 | 0.29/0.24 | 90/95 | / | 65 | 4.7 |



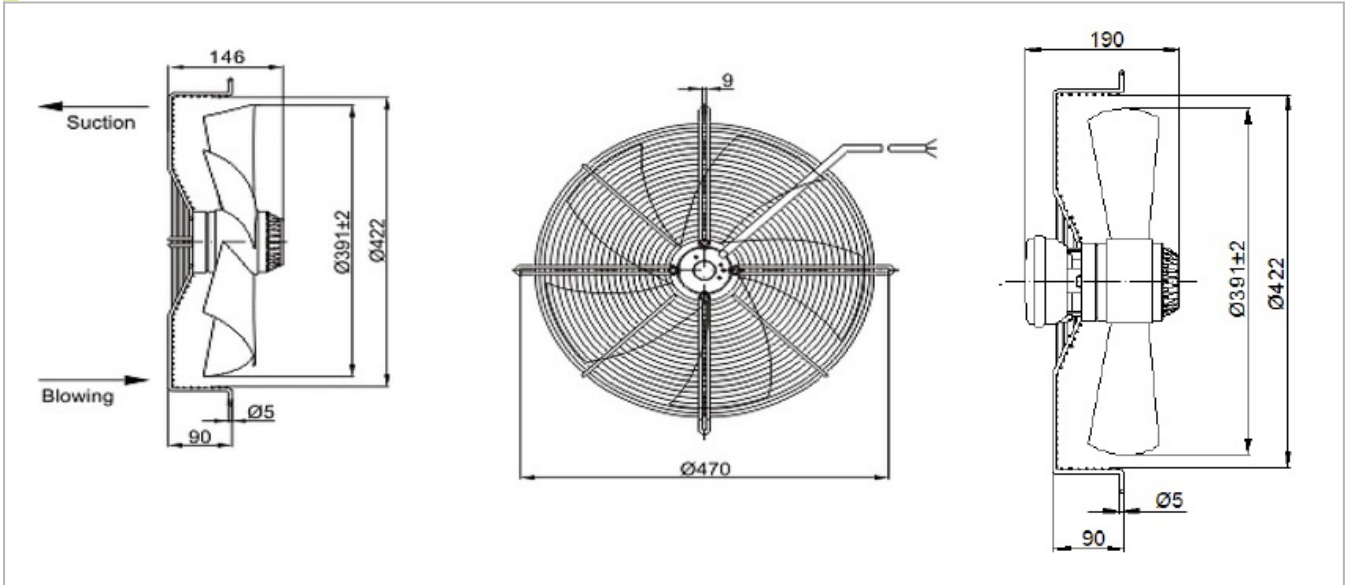
400Ø



General Specifications

| | |
|--------------------|----------------|
| Airflow | 2800~4200 m3/H |
| Blade | Iron |
| Frame | Iron |
| Connecting | Terminal Box |
| Type of Protection | IP54 |

Dimensions:mm



Specifications

| Model NO. | Rated Voltage VAC | Frequency HZ | Speed RPM | Airflow M3/H | Current A | Power W | Capactor uF | Noise dBA | Weight KG |
|-----------|----------------------|-----------------|--------------|-----------------|--------------|------------|----------------|--------------|--------------|
| 4E400-Z | 220/240 | 50/60 | 1350/1550 | 3700/4200 | 0.81/1.15 | 180/260 | 6 | 67 | 6.1 |
| 4D400-Z | 3Ø 220/380/440 | 50/60 | 1380/1570 | 3700/4200 | 0.48/0.49 | 190/260 | / | 67 | 6.1 |
| 6E400-Z | 220/240 | 50/60 | 940/1080 | 2800/3100 | 0.67/0.75 | 115/150 | 3 | 60 | 6.1 |
| 6D400-Z | 3Ø 220/380/440 | 50/60 | 900/1000 | 2800/3100 | 0.36/0.31 | 115/150 | / | 60 | 6.1 |



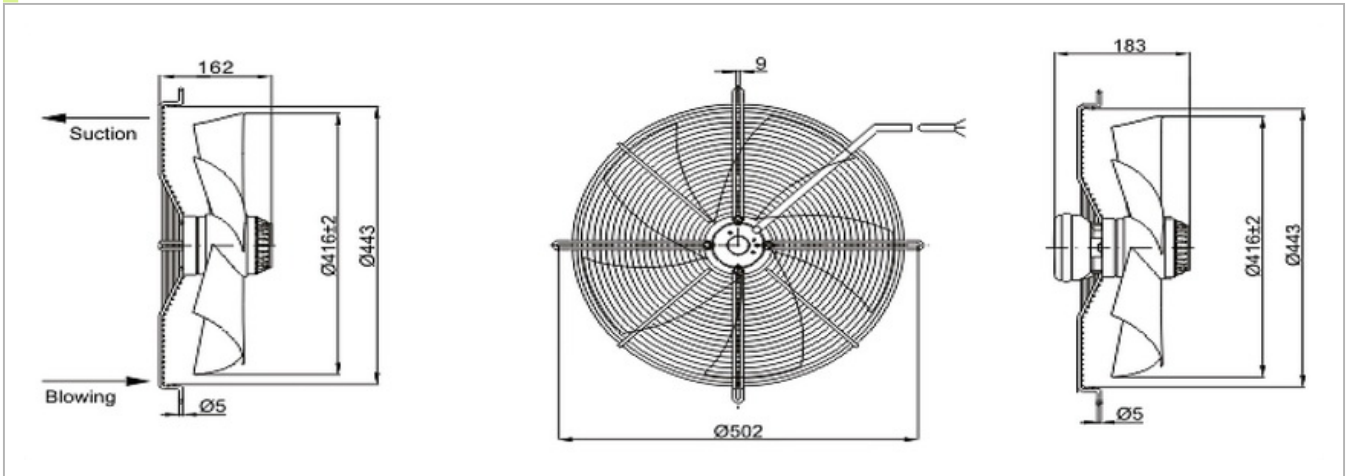
4200



General Specifications

| | |
|--------------------|----------------|
| Airflow | 2980~4520 m3/H |
| Blade | Iron |
| Frame | Iron |
| Connecting | Terminal Box |
| Type of Protection | IP54 |

Dimensions:mm



Specifications

| Model NO. | Rated Voltage VAC | Frequency HZ | Speed RPM | Airflow M3/H | Current A | Power W | Capactor uF | Noise dBA | Weight KG |
|-----------|----------------------|-----------------|--------------|-----------------|--------------|------------|----------------|--------------|--------------|
| 4E420-Z | 220/240 | 50/60 | 1380/1550 | 4000/4520 | 1.15/1.6 | 250/360 | 8 | 55 | 6.7 |
| 4D420-Z | 3Ø 220/380/440 | 50/60 | 1350/1510 | 4030/4510 | 0.58/0.57 | 250/350 | / | 68 | 6.7 |
| 6E420-Z | 220/240 | 50/60 | 900/1000 | 2960/3340 | 0.68/0.82 | 150/185 | 4 | 60 | 6.7 |
| 6D420-Z | 3Ø 220/380/440 | 50/60 | 930/1050 | 2980/3360 | 0.48/0.46 | 150/180 | / | 61 | 6.7 |



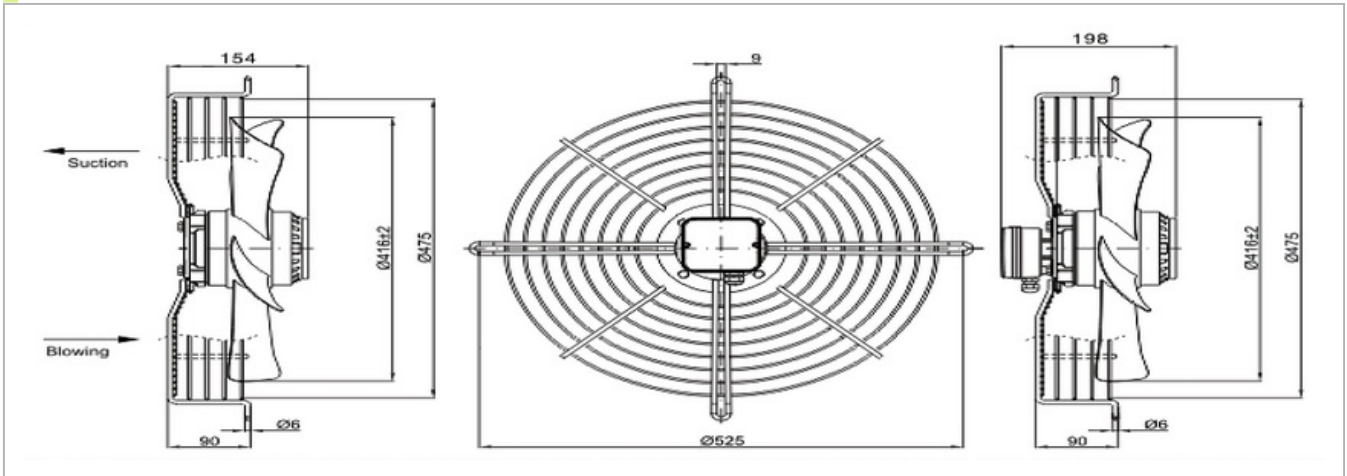
4200-ZX



General Specifications

| | |
|--------------------|----------------|
| Airflow | 4800~5300 m3/H |
| Blade | Iron |
| Frame | Iron |
| Connecting | Terminal Box |
| Type of Protection | IP54 |

Dimensions:mm



Specifications

| Model NO. | Rated Voltage VAC | Frequency HZ | Speed RPM | Airflow M3/H | Current A | Power W | Capactor uF | Noise dBA | Weight KG |
|-----------|----------------------|-----------------|--------------|-----------------|--------------|------------|----------------|--------------|--------------|
| 4E420-ZX | 220/240 | 50/60 | 1380/1150 | 5300/4850 | 2/1.3 | 450/295 | 16 | 70 | 8 |
| 4D420-ZX | 3Ø 220/380/440 | 50/60 | 1350/1150 | 5300/4800 | 0.75/0.41 | 430/260 | / | 70 | 8 |



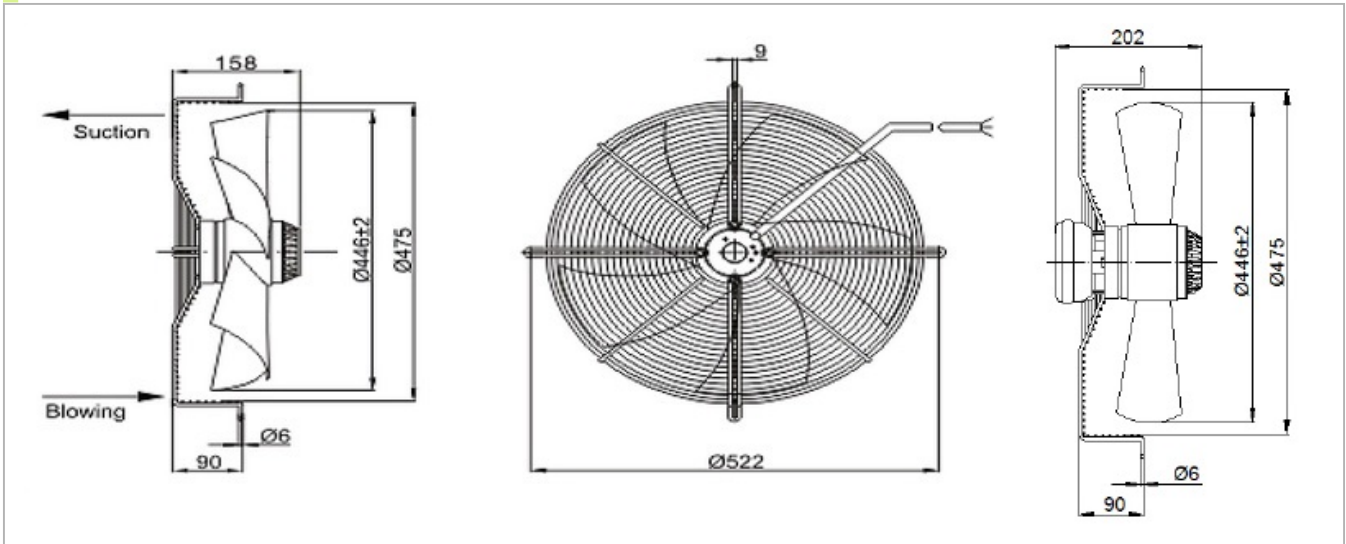
4500



General Specifications

| | |
|--------------------|----------------|
| Airflow | 3100/5450 m3/H |
| Blade | Iron |
| Frame | Iron |
| Connecting | Terminal Box |
| Type of Protection | IP54 |

Dimensions:mm



Specifications

| Model NO. | Rated Voltage VAC | Frequency HZ | Speed RPM | Airflow M3/H | Current A | Power W | Capactor uF | Noise dBA | Weight KG |
|------------|----------------------|-----------------|--------------|-----------------|--------------|------------|----------------|--------------|--------------|
| 4D450-Z | 3Ø 220/380/440 | 50/60 | 1400/1550 | 4820/5450 | 0.58/0.57 | 250/350 | / | 68 | 6.9 |
| 4E450-Z | 220/240 | 50/60 | 1380/1550 | 4800/5420 | 1.15/1.6 | 250/360 | 8 | 71 | 6.9 |
| 6D450-Z | 3Ø 220/380/440 | 50/60 | 930/1050 | 3100/3500 | 0.48/0.46 | 150/180 | / | 62 | 6.9 |
| 6E450-Z | 220/240 | 50/60 | 950/1100 | 3100/3500 | 0.6/0.72 | 120/145 | 4 | 60 | 6.9 |
| 6E450-ZX02 | 220/240 | 50/60 | 900 | 3450/3850 | 0.68/0.82 | 150/185 | 4 | 60 | 6.9 |
| 6E450-ZX04 | 220/240 | 50/60 | 860 | 3750 | 0.75 | 175 | 4 | 60 | 6.9 |

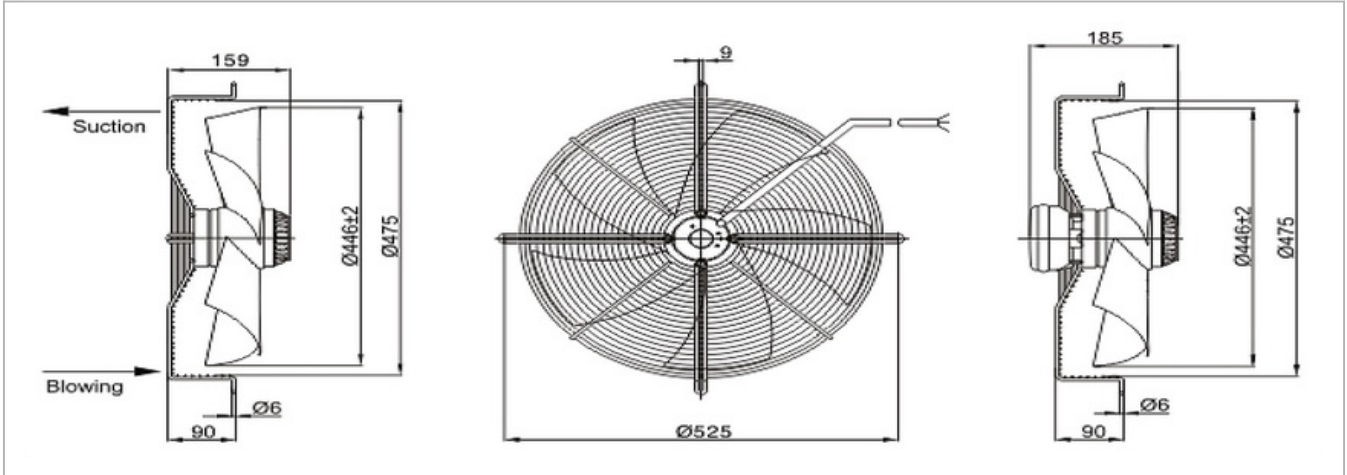




450Ø-ZX



Dimensions:mm



Specifications

| Model NO. | Rated Voltage VAC | Frequency HZ | Speed RPM | Airflow M3/H | Current A | Power W | Capactor uF | Noise dBA | Weight KG |
|-----------|----------------------|-----------------|--------------|-----------------|--------------|------------|----------------|--------------|--------------|
| 4D450-ZX | 3Ø 220/380/440 | 50/60 | 1320 | 6200 | 0.82 | 460 | / | 68 | 8.5 |
| 6E450-ZX | 220/240 | 50/60 | 900/1000 | 4650/5100 | 0.86/1.25 | 200/285 | 5 | 60 | 8.5 |





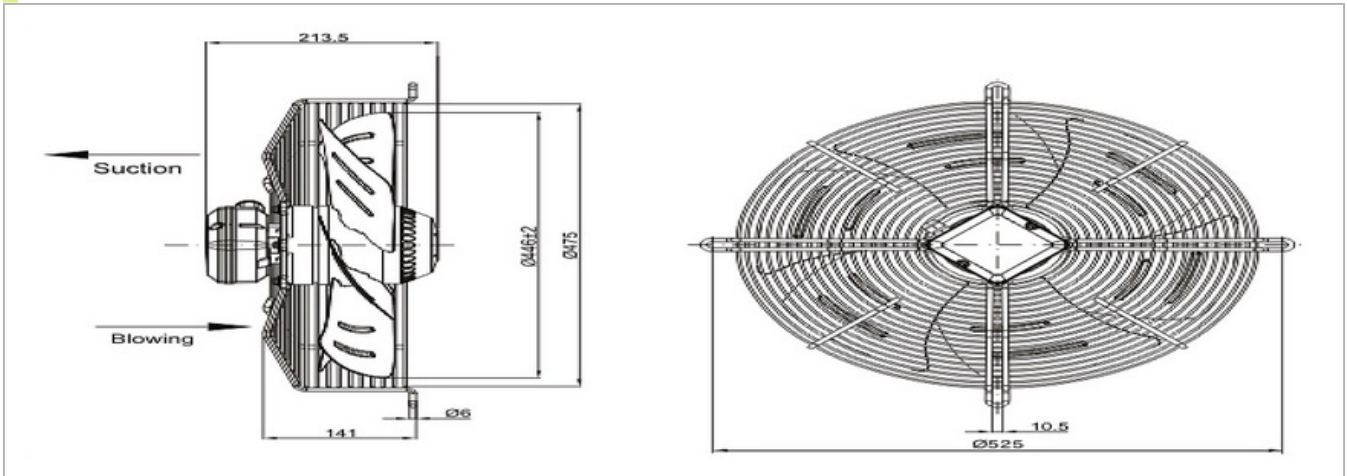
450Ø-ZX01



General Specifications

| | |
|--------------------|----------------|
| Airflow | 6600~7750 m3/H |
| Blade | Iron |
| Frame | Iron |
| Connecting | Terminal Box |
| Type of Protection | IP54 |

Dimensions:mm



Specifications

| Model NO. | Rated Voltage VAC | Frequency HZ | Speed RPM | Airflow M3/H | Current A | Power W | Noise dBA | Weight KG |
|------------|----------------------|-----------------|--------------|-----------------|--------------|------------|--------------|--------------|
| 4D450-ZX01 | 3Ø 400/460 | 50/60 | 1400/1630 | 6600/7750 | 1.15/1.44 | 510/900 | 73 | 16 |



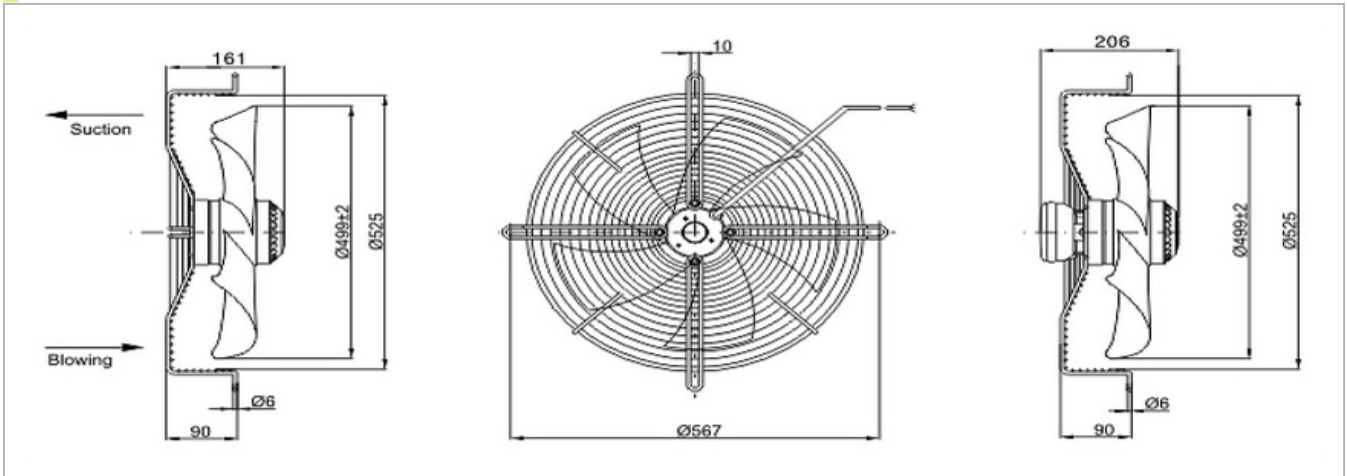
500Ø



General Specifications

| | |
|--------------------|----------------|
| Airflow | 5130~6950 m3/H |
| Blade | Iron |
| Frame | Iron |
| Connecting | Terminal Box |
| Type of Protection | IP54 |

Dimensions:mm



Specifications

| Model NO. | Rated Voltage VAC | Frequency HZ | Speed RPM | Airflow M3/H | Current A | Power W | Capactor uF | Noise dBA | Weight KG |
|-----------|----------------------|-----------------|--------------|-----------------|--------------|------------|----------------|--------------|--------------|
| 4E500-Z | 220/240 | 50/60 | 1320 | 6950 | 1.85 | 420 | 12 | 72 | 9.5 |
| 4D500-Z | 3Ø 220/380/440 | 50/60 | 1320 | 7000 | 0.93 | 450 | / | 72 | 9.5 |
| 6E500-Z | 220/240 | 50/60 | 920 | 5200 | 1.15 | 230 | 6 | 67 | 9.5 |
| 6D500-Z | 3Ø 220/380/440 | 50/60 | 920 | 5130 | 0.78 | 250 | / | 67 | 9.5 |



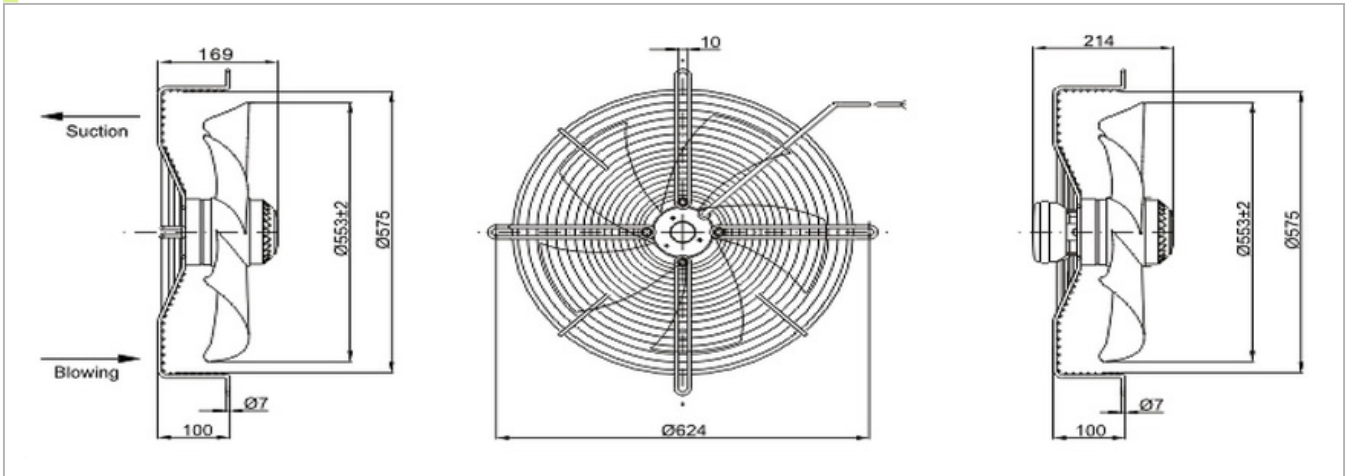
5500



General Specifications

| | |
|--------------------|----------------|
| Airflow | 7100~8500 m3/H |
| Blade | Iron |
| Frame | Iron |
| Connecting | Terminal Box |
| Type of Protection | IP54 |

Dimensions:mm



Specifications

| Model NO. | Rated Voltage VAC | Frequency HZ | Speed RPM | Airflow M3/H | Current A | Power W | Capactor uF | Noise dBA | Weight KG |
|-----------|----------------------|-----------------|--------------|-----------------|--------------|------------|----------------|--------------|--------------|
| 4E550-Z | 220/240 | 50/60 | 1310 | 8500 | 2.45 | 550 | 12 | 74 | 10.5 |
| 4D550-Z | 3Ø 220/380/440 | 50/60 | 1300 | 8500 | 1.2 | 650 | / | 74 | 10.5 |
| 6E550-Z | 220/240 | 50/60 | 910 | 7100 | 1.68 | 330 | 10 | 67 | 10.5 |
| 6D550-Z | 3Ø 220/380/440 | 50/60 | 900 | 7100 | 0.87 | 330 | / | 67 | 10.5 |



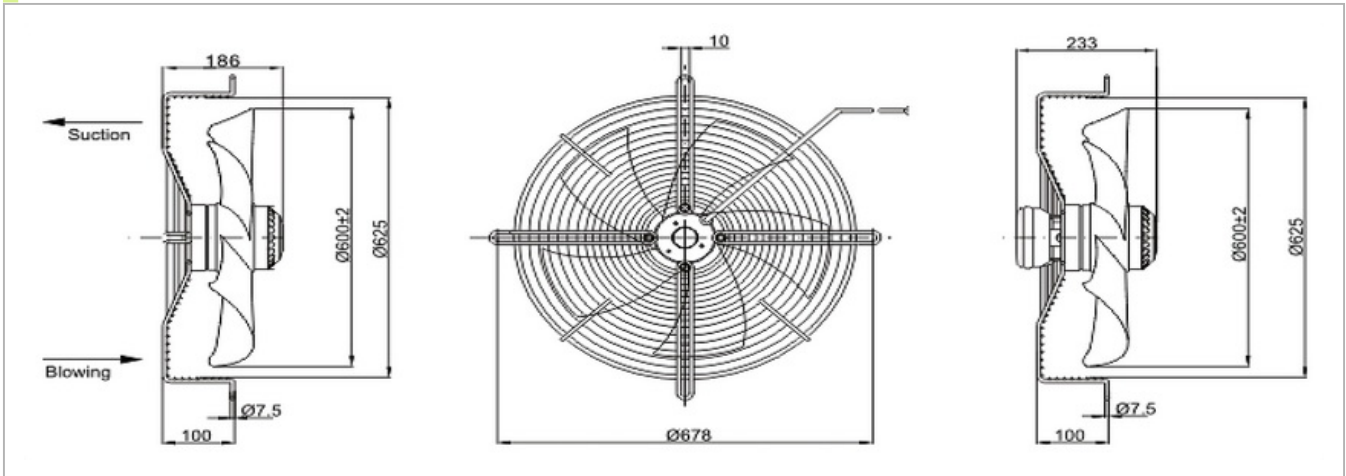
600Ø



General Specifications

| | |
|--------------------|-----------------|
| Airflow | 8950~10800 m3/H |
| Blade | Iron |
| Frame | Iron |
| Connecting | Terminal Box |
| Type of Protection | IP54 |

Dimensions:mm



Specifications

| Model NO. | Rated Voltage VAC | Frequency HZ | Speed RPM | Airflow M3/H | Current A | Power W | Capactor uF | Noise dBA | Weight KG |
|-----------|----------------------|-----------------|--------------|-----------------|--------------|------------|----------------|--------------|--------------|
| 4E600-Z | 220/240 | 50/60 | 1315 | 10300 | 3.5 | 810 | 16 | 76 | 15 |
| 4D600-Z | 3Ø 220/380/440 | 50/60 | 1365 | 10800 | 1.95 | 860 | / | 79 | 15 |
| 6E600-Z | 220/240 | 50/60 | 930 | 9030 | 2.2 | 500 | 14 | 70 | 15 |
| 6D600-Z | 3Ø 220/380/440 | 50/60 | 920 | 8950 | 1.57 | 550 | / | 70 | 15 |



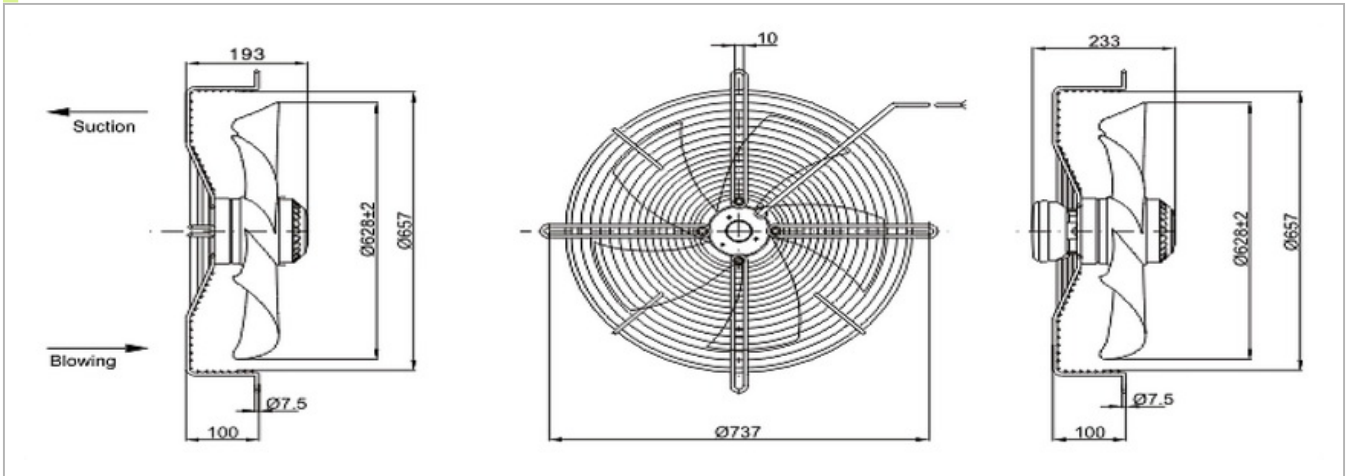
6300



General Specifications

| | |
|--------------------|-----------------|
| Airflow | 9580~13000 m3/H |
| Blade | Iron |
| Frame | Iron |
| Connecting | Terminal Box |
| Type of Protection | IP54 |

Dimensions:mm



Specifications

| Model NO. | Rated Voltage VAC | Frequency HZ | Speed RPM | Airflow M3/H | Current A | Power W | Capactor uF | Noise dBA | Weight KG |
|-----------|----------------------|-----------------|--------------|-----------------|--------------|------------|----------------|--------------|--------------|
| 4E630-Z | 220/240 | 50/60 | 1315 | 12500 | 3.5 | 810 | 16 | 78 | 15 |
| 4D630-Z | 3Ø 220/380/440 | 50/60 | 1365 | 13000 | 1.95 | 860 | / | 81 | 15 |
| 6E630-Z | 220/240 | 50/60 | 930 | 9600 | 2.2 | 500 | 14 | 75 | 15 |
| 6D630-Z | 3Ø 220/380/440 | 50/60 | 920 | 9580 | 1.57 | 550 | / | 75 | 15 |



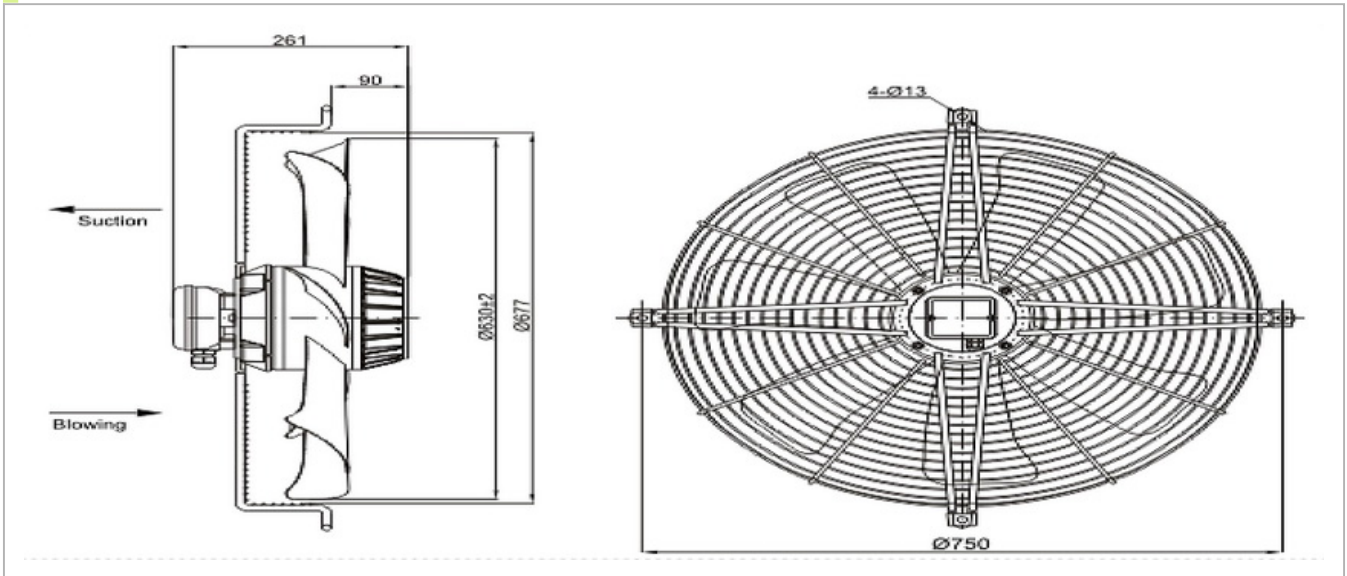
630Ø-ZX



General Specifications

| | |
|--------------------|------------------|
| Airflow | 11900~15300 m3/H |
| Blade | Iron |
| Frame | Iron |
| Connecting | Terminal Box |
| Type of Protection | IP54 |

Dimensions:mm



Specifications

| Model NO. | Rated Voltage | Frequency | Speed | Airflow | Current | Power | NoiseWeight | |
|-----------|----------------|-----------|-----------|-------------|---------|-----------|-------------|-----|
| | VAC | | | | | | HZ | RPM |
| 4D630-ZX | 3Ø 220/380/440 | 50/60 | 1350/1050 | 15300/11900 | 3.5/2.3 | 1900/1400 | 81 | 22 |



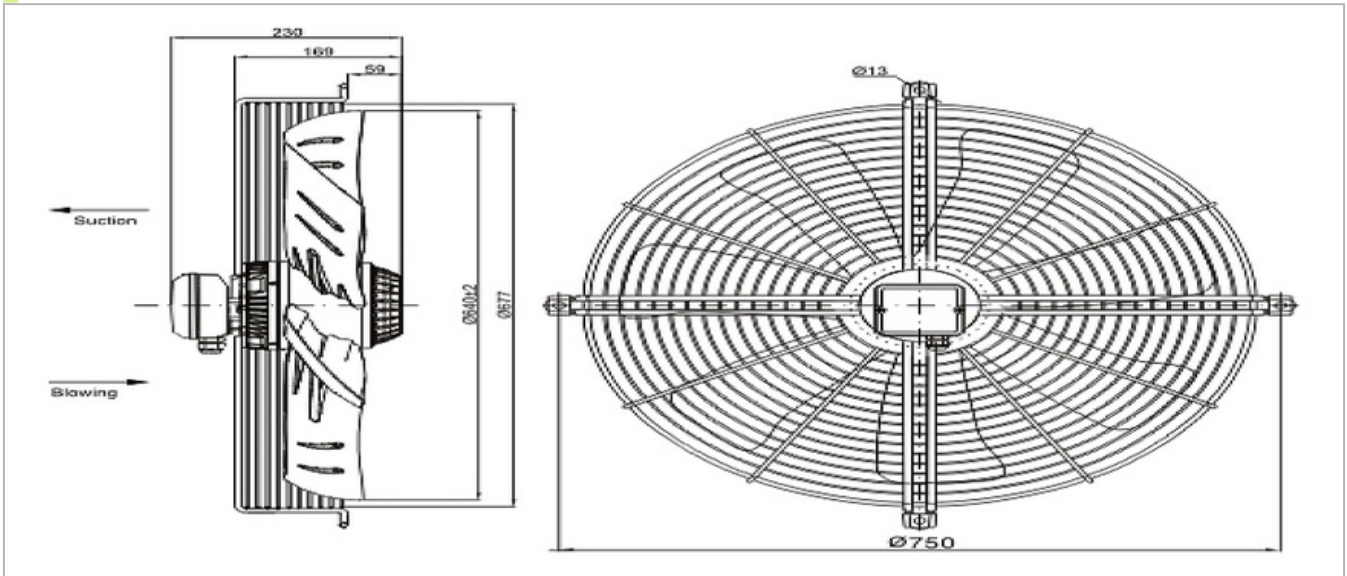
650Ø



General Specifications

| | |
|--------------------|-----------------|
| Airflow | 9000~11500 m3/H |
| Blade | Iron |
| Frame | Iron |
| Connecting | Terminal Box |
| Type of Protection | IP54 |

Dimensions:mm



Specifications

| Model NO. | Rated Voltage VAC | Frequency HZ | Speed RPM | Airflow M3/H | Current A | Power W | Noise dBA | Weight KG |
|-----------|----------------------|-----------------|--------------|-----------------|--------------|------------|--------------|--------------|
| 6D650-Z | 3Ø 220/380/440 | 50/60 | 900/700 | 11500/9000 | 1.5/0.82 | 600/470 | 765 | 18 |



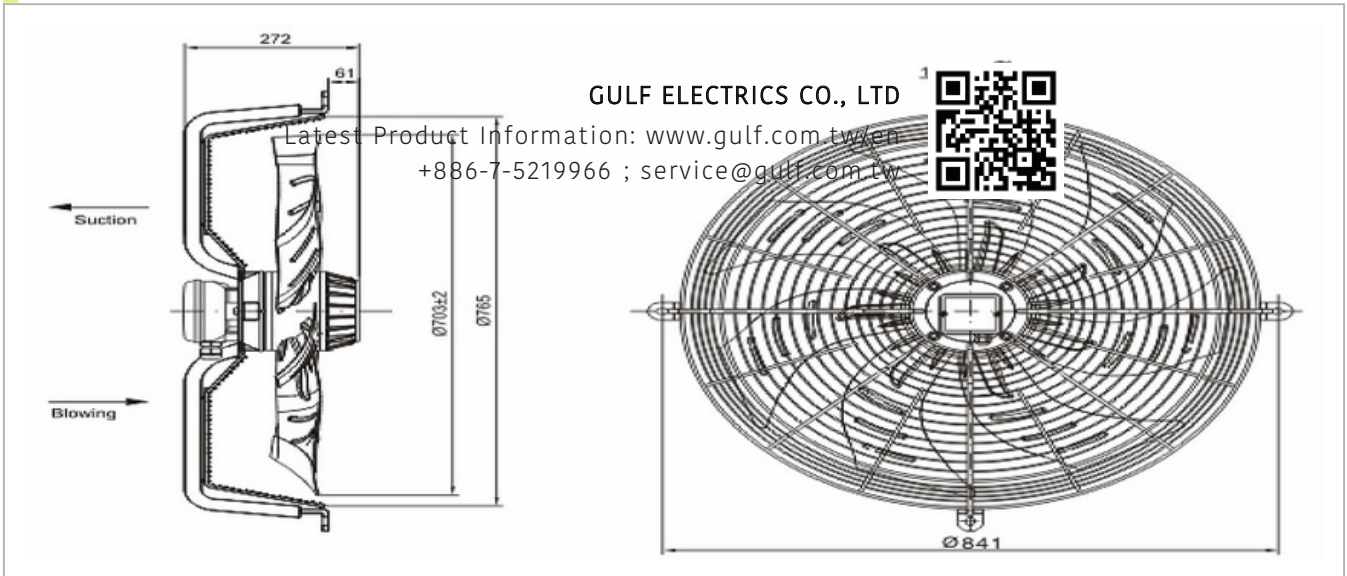
7100



General Specifications

| | |
|--------------------|------------------|
| Airflow | 13500~18000 m3/H |
| Blade | Iron |
| Frame | Iron |
| Connecting | Terminal Box |
| Type of Protection | IP54 |

Dimensions:mm



Specifications

| Model NO. | Rated Voltage | Frequency | Speed | Airflow | Current | Power | NoiseWeight | |
|-----------|---------------|-----------|----------|-------------|-----------|----------|-------------|-----|
| | VAC | | | | | | HZ | RPM |
| 6D710-Z | 3Ø 400 | 50/60 | 900/750 | 15800/13500 | 2.35/1.2 | 1100/700 | 80 | 29 |
| 6K710-Z | 3Ø 460 | 50/60 | 1050/900 | 18000/14100 | 2.65/1.36 | 1600/950 | 82 | 29 |



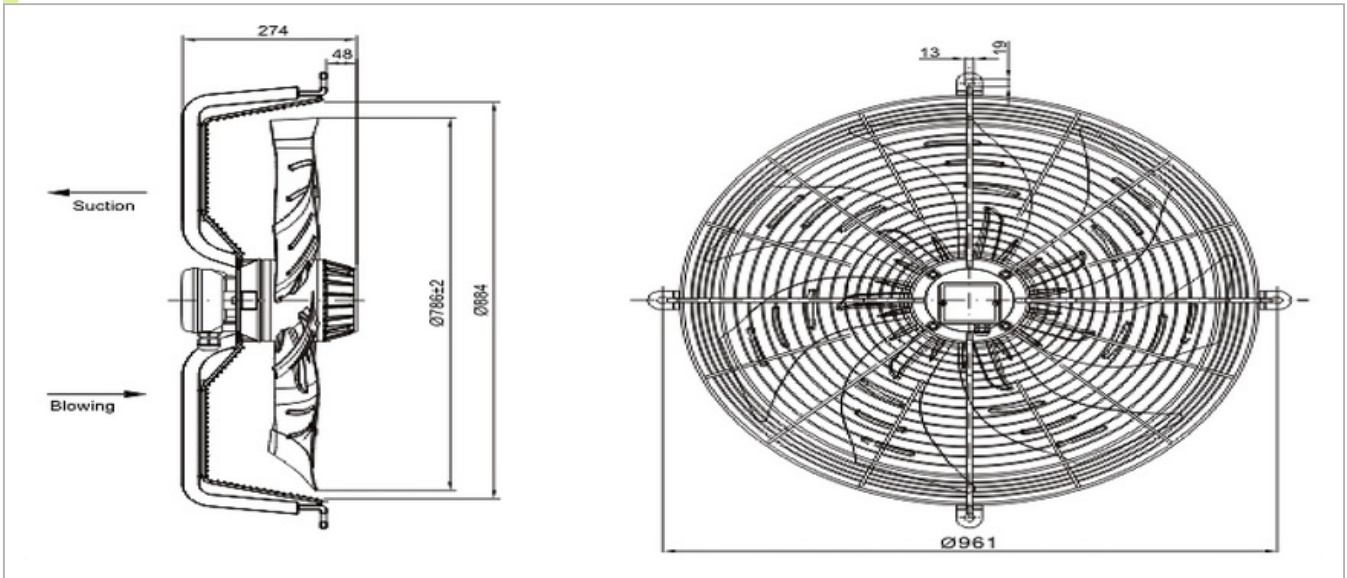
800Ø



General Specifications

| | |
|--------------------|------------------|
| Airflow | 15600~20800 m3/H |
| Blade | Iron |
| Frame | Iron |
| Connecting | Terminal Box |
| Type of Protection | IP54 |

Dimensions:mm



Specifications

| Model NO. | Rated Voltage VAC | Frequency HZ | Speed RPM | Airflow M3/H | Current A | Power W | Noise dBA | Weight KG |
|-----------|----------------------|-----------------|--------------|-----------------|--------------|------------|--------------|--------------|
| 6D800-Z | 3Ø 400 | 50/60 | 880/700 | 20800/15600 | 3.65/1.94 | 1650/1060 | 81 | 31 |



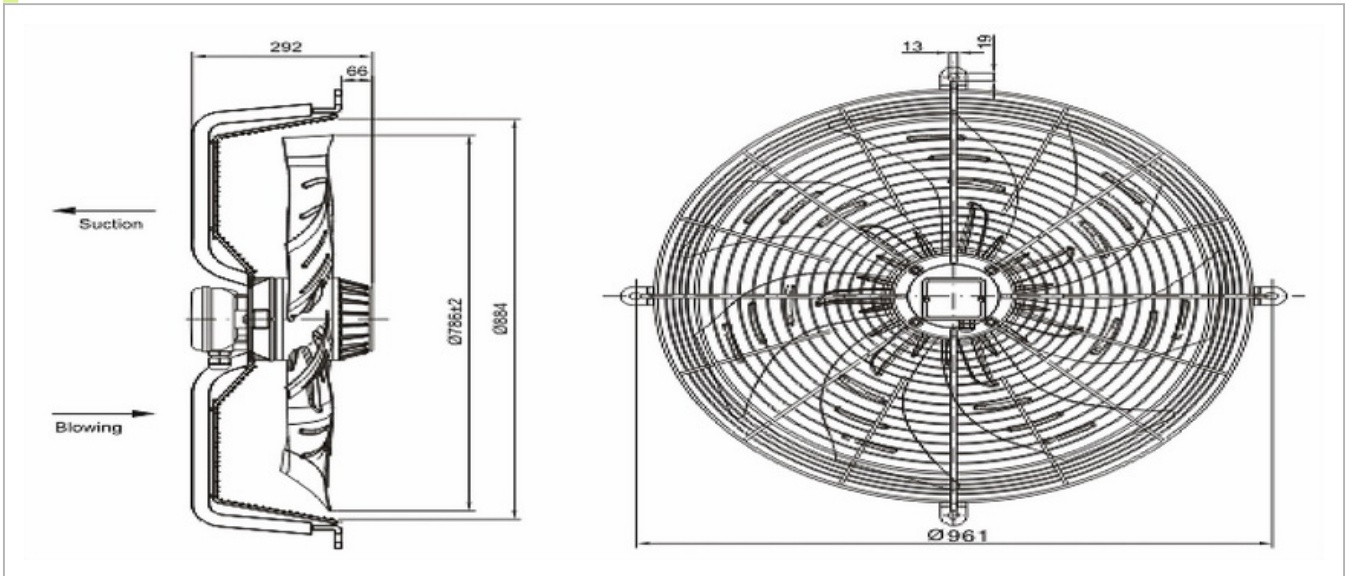
800Ø-ZX



General Specifications

| | |
|--------------------|------------------|
| Airflow | 21500~25500 m3/H |
| Blade | Iron |
| Frame | Iron |
| Connecting | Terminal Box |
| Type of Protection | IP54 |

Dimensions:mm



Specifications

| Model NO. | Rated Voltage VAC | Frequency HZ | Speed RPM | Airflow M3/H | Current A | Power W | Noise dBA | Weight KG |
|-----------|----------------------|-----------------|--------------|-----------------|--------------|------------|--------------|--------------|
| 6K800-ZX | 3Ø 460 | 50/60 | 900/1070 | 19300/22900 | 3.85/4.5 | 1800/2700 | 81/85 | 36 |





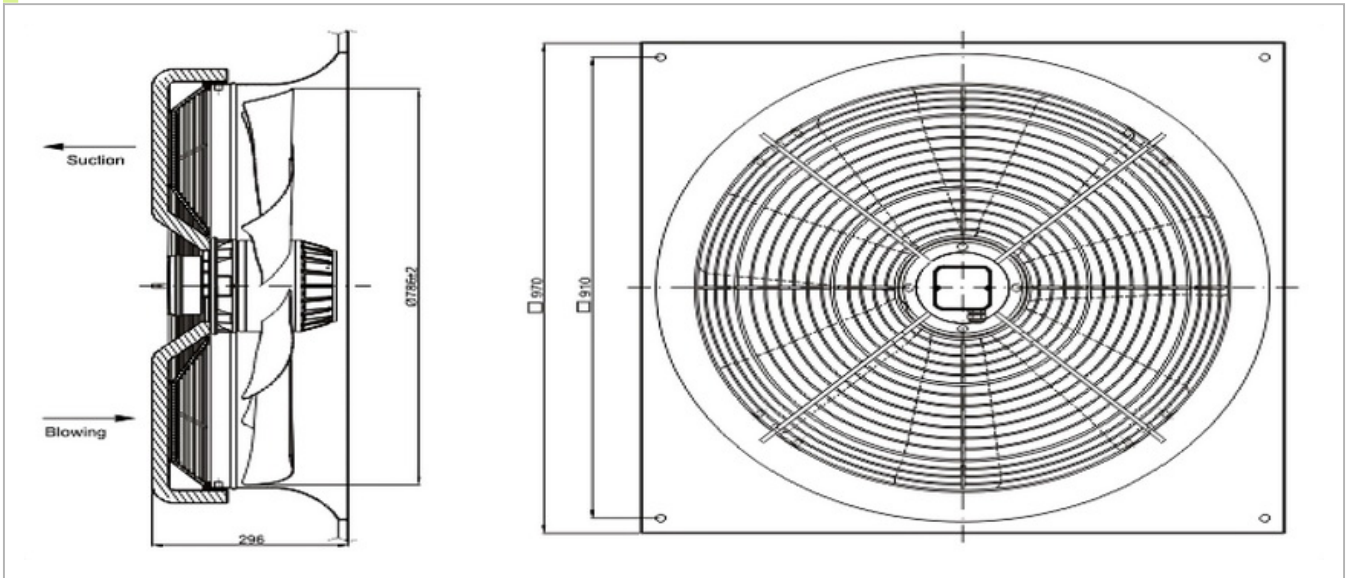
800Ø-ZX01



General Specifications

| | |
|--------------------|------------------|
| Airflow | 21500~25500 m3/H |
| Blade | Iron |
| Frame | Iron |
| Connecting | Terminal Box |
| Type of Protection | IP54 |

Dimensions:mm



Specifications

| Model NO. | Rated Voltage VAC | Frequency HZ | Speed RPM | Airflow M3/H | Current A | Power W | Noise dBA | Weight KG |
|------------|----------------------|-----------------|--------------|-----------------|--------------|------------|--------------|--------------|
| 6K800-ZX01 | 3Ø 460 | 50/60 | 890/1020 | 21500/25500 | 2.5/3.8 | 1700/2600 | 81/83 | 51 |





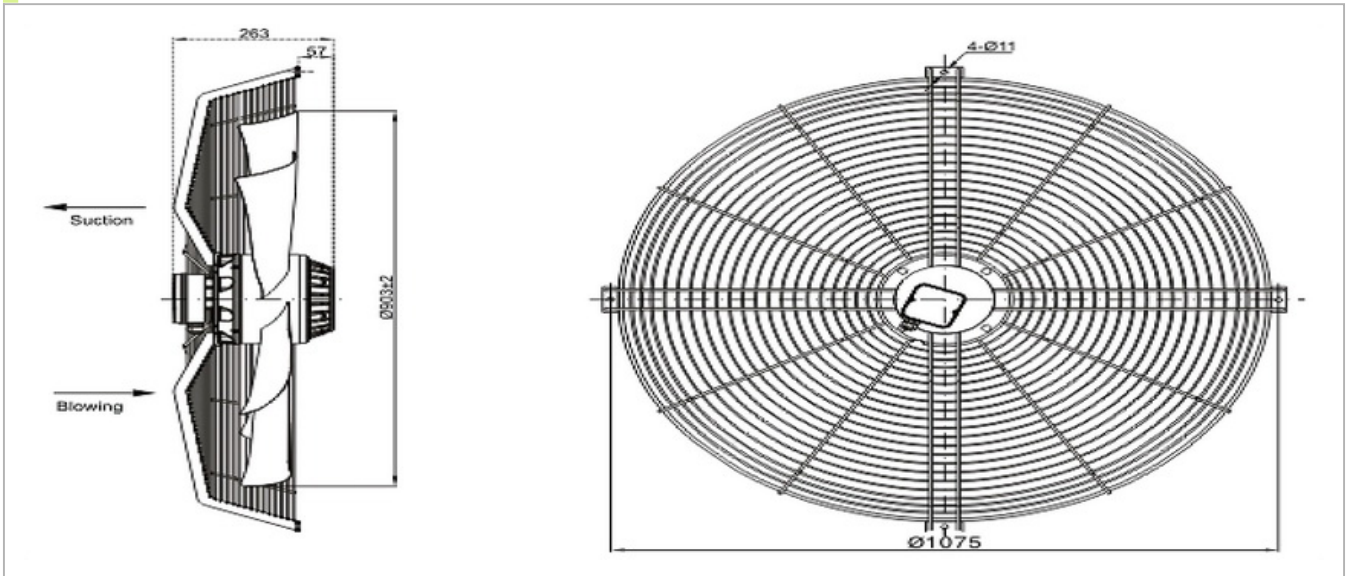
9100



General Specifications

| | |
|--------------------|------------------|
| Airflow | 26000~33000 m3/H |
| Blade | Iron |
| Frame | Iron |
| Connecting | Terminal Box |
| Type of Protection | IP54 |

Dimensions:mm



Specifications

| Model NO. | Rated Voltage VAC | Frequency HZ | Speed RPM | Airflow M3/H | Current A | Power W | Noise dBA | Weight KG |
|-----------|----------------------|-----------------|--------------|-----------------|--------------|------------|--------------|--------------|
| 6D910-Z | 3Ø 400 | 50/60 | 890/690 | 33000/26000 | 5.4/3.3 | 3100/1900 | 83 | 51 |

GULF ELECTRICS CO., LTD

Latest Product Information: www.gulf.com.tw/en

+886-7-5219966 ; service@gulf.com.tw





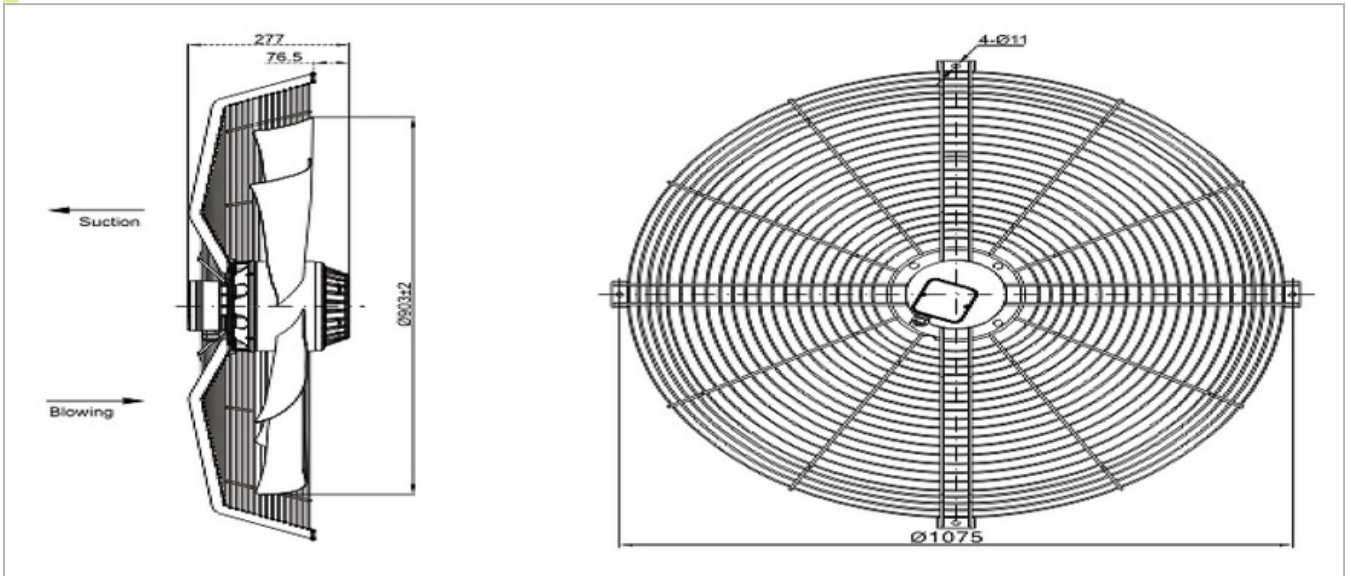
910Ø-ZX



General Specifications

| | |
|--------------------|------------------|
| Airflow | 21000~25500 m3/H |
| Blade | Iron |
| Frame | Iron |
| Connecting | Terminal Box |
| Type of Protection | IP54 |

Dimensions:mm

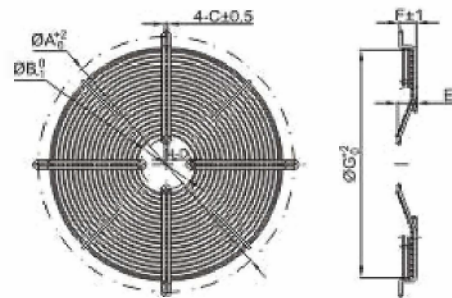
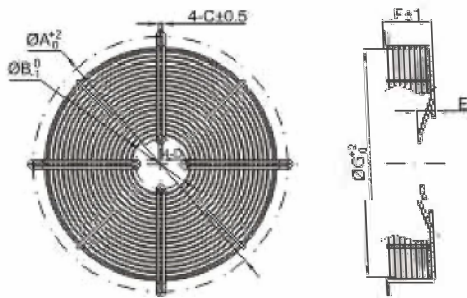


Specifications

| Model NO. | Rated Voltage VAC | Frequency HZ | Speed RPM | Airflow M3/H | Current A | Power W | Noise dBA | Weight KG |
|-----------|----------------------|-----------------|--------------|-----------------|--------------|------------|--------------|--------------|
| 6D910-ZX | 3Ø 400 | 50/60 | 870/670 | 25500/21000 | 4.7/2.6 | 2450/1550 | 82 | 38 |

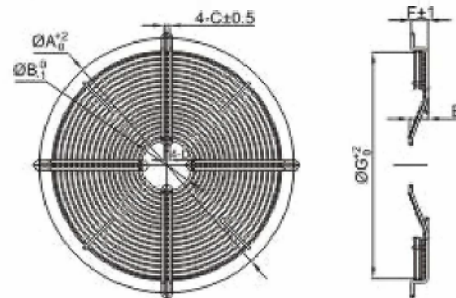
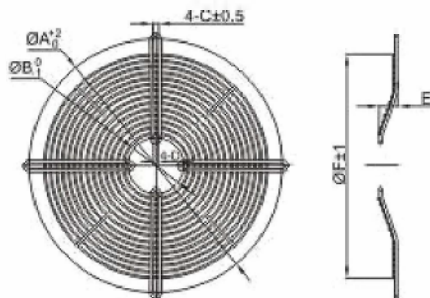


Net cover series



| 型号 | A | B | C | D | E | F | G |
|----------|------|------|----|------|------|-----|------|
| 200 | 250 | 58.5 | 7 | 6 | 23.5 | 50 | 220 |
| 250 | 320 | 58.5 | 7 | 6 | 22 | 75 | 282 |
| 300 | 360 | 58.5 | 7 | 6 | 30 | 80 | 322 |
| ZE/20300 | 360 | 90 | 7 | 7 | 30 | 80 | 322 |
| 350 | 422 | 90 | 9 | 7 | 30 | 80 | 375 |
| 400 | 470 | 90 | 9 | 7 | 30 | 90 | 422 |
| 450 | 522 | 90 | 9 | 7 | 30 | 90 | 475 |
| 500 | 567 | 120 | 10 | 7 | 30 | 90 | 525 |
| 550 | 624 | 120 | 10 | 7 | 30 | 100 | 575 |
| 600 | 675 | 120 | 10 | 7 | 28 | 100 | 625 |
| 630 | 737 | 120 | 10 | 7 | 35 | 100 | 657 |
| 710 | 841 | 162 | 13 | 10.5 | 75 | 137 | 780 |
| 800 | 961 | 162 | 13 | 10.5 | 90 | 226 | 881 |
| 910 | 1075 | 160 | 11 | 12.5 | 75 | 200 | 1045 |

| 型号 | A | B | C | D | E | F | G |
|-----|------|------|----|------|----|-----|-------|
| 250 | 320 | 58.5 | 7 | 6 | 20 | 30 | 275 |
| 300 | 360 | 58.5 | 7 | 6 | 30 | 30 | 322 |
| 350 | 422 | 90 | 9 | 7 | 30 | 30 | 375 |
| | 422 | 90 | 9 | 7 | 30 | 40 | 375 |
| 400 | 470 | 90 | 9 | 7 | 30 | 32 | 422 |
| 420 | 502 | 90 | 9 | 7 | 34 | 30 | 443 |
| 450 | 522 | 90 | 9 | 7 | 30 | 38 | 475 |
| | 522 | 90 | 9 | 7 | 30 | 30 | 475 |
| 500 | 567 | 120 | 10 | 7 | 30 | 30 | 525 |
| 550 | 624 | 120 | 10 | 7 | 30 | 32 | 575 |
| 630 | 737 | 120 | 10 | 7 | 35 | 32 | 657 |
| 710 | 865 | 162 | 13 | 10.5 | 51 | 100 | 815 |
| 800 | 961 | 162 | 13 | 10.5 | 50 | 90 | 899.5 |
| 910 | 1075 | 162 | 11 | 12.5 | 75 | 65 | 1022 |

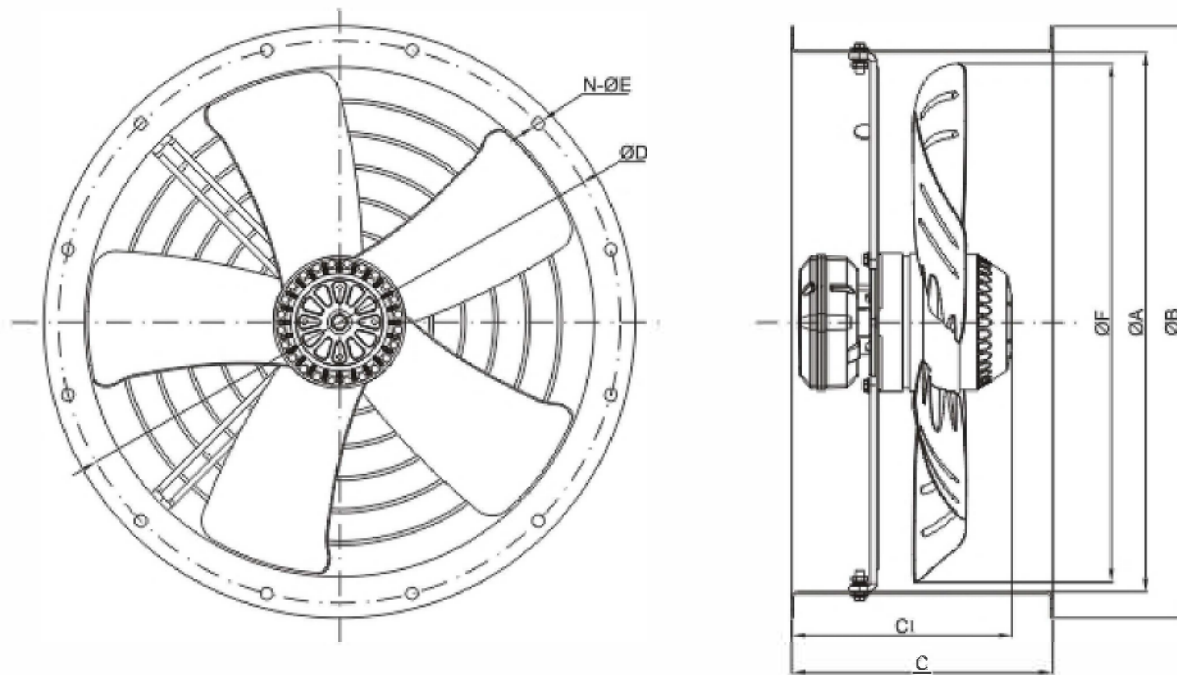


| 型号 | A | B | C | D | E | F |
|-----|-----|------|----|---|----|-----|
| 300 | 360 | 58.5 | 7 | 6 | 30 | 318 |
| 350 | 422 | 90 | 9 | 7 | 30 | 370 |
| 400 | 470 | 90 | 9 | 7 | 30 | 420 |
| 450 | 522 | 90 | 9 | 7 | 30 | 470 |
| 500 | 567 | 120 | 9 | 7 | 30 | 520 |
| 550 | 624 | 120 | 10 | 7 | 30 | 570 |
| 630 | 737 | 120 | 10 | 7 | 35 | 650 |

| 型号 | A | B | C | D | E | F | G |
|-----|-----|------|---|---|----|----|-----|
| 300 | 382 | 58.5 | 7 | 6 | 27 | 40 | 353 |
| 350 | 440 | 90 | 9 | 7 | 33 | 40 | 395 |
| 400 | 522 | 90 | 9 | 7 | 35 | 38 | 475 |
| 450 | 576 | 90 | 9 | 7 | 35 | 40 | 530 |
| 500 | 623 | 120 | 9 | 7 | 30 | 32 | 576 |
| 550 | 675 | 120 | 9 | 7 | 30 | 32 | 634 |
| 630 | 785 | 120 | 9 | 7 | 35 | 30 | 739 |



Wind tube series



| 型号 Model | 尺寸 Size | A | B | C | D | N-ØE | C1 | F |
|---------------|------------|-----|-----|-----|----------|------|-----|---|
| YWF (K) 200-Z | 200 | 250 | 180 | 230 | 8-Ø7 | 130 | 195 | |
| YWF (K) 250-Z | 257 | 306 | 180 | 295 | 8-Ø7 | 130 | 250 | |
| YWF (K) 300-Z | 317 | 382 | 180 | 356 | 8-Ø9.5 | 130 | 300 | |
| YWF (K) 350-Z | 359 | 421 | 180 | 395 | 8-Ø9.5 | 165 | 350 | |
| YWF (K) 400-Z | 400 | 460 | 190 | 438 | 12-Ø9.5 | 170 | 391 | |
| YWF (K) 450-Z | 460 | 515 | 190 | 487 | 12-Ø9.5 | 190 | 446 | |
| YWF (K) 500-Z | 510 | 567 | 250 | 541 | 12-Ø9.5 | 210 | 499 | |
| YWF (K) 560-Z | 565 | 635 | 250 | 605 | 16-Ø11.5 | 210 | 553 | |
| YWF (K) 630-Z | 640 | 707 | 250 | 674 | 16-Ø11.5 | 230 | 628 | |

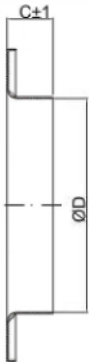
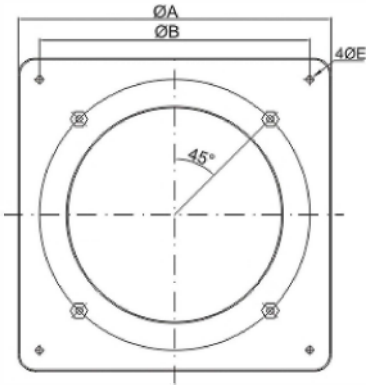
GULF ELECTRICS CO., LTD

Latest Product Information: www.gulf.com.tw/en

+886-7-5219966 ; service@gulf.com.tw



Square plate series



| 型號 | A | B | C | D | E |
|-----|------|------|-----|-----|------|
| 200 | 312 | 260 | 52 | 203 | 7 |
| 250 | 370 | 320 | 55 | 250 | 7 |
| 300 | 430 | 380 | 80 | 315 | 9 |
| 350 | 485 | 435 | 85 | 350 | 9 |
| 400 | 540 | 490 | 100 | 400 | 9 |
| 450 | 575 | 535 | 105 | 456 | 11 |
| 500 | 685 | 615 | 120 | 509 | 11 |
| 550 | 725 | 675 | 135 | 563 | 11 |
| 600 | 805 | 750 | 150 | 610 | 11 |
| 630 | 805 | 750 | 150 | 639 | 11 |
| 710 | 850 | 810 | 170 | 710 | 14.5 |
| 800 | 970 | 910 | 210 | 800 | 14.5 |
| 910 | 1070 | 1010 | 205 | 920 | 14.5 |

