

YOUR BEST THERMAL SOLUTIONS.

www.gulf.com.tw



GULF ELECTRICS was established in 1965 in Taiwan. Based on more than 50 years of experience in cooling industry, GULF has become the leader in manufacturing cooling fan & motor. With the commitment to our clients worldwide, we insist on not only every aspect of manufacturing, from material selection, analysis-based design, precise production, 100% quality control to customer-oriented service, but also through the continuous analysis and advanced technology to deliver product excellence.

Our wide product range includes AC/DC Axial fans and blowers, centrifugal fans, cross flow fans, outer rotor fans, thermal module and fan accessories, to provide you one-stop solution to fulfill all your cooling needs. All fans are made in Taiwan with high quality assurance and designed to meet UL, CE, RoHS and REACH requirements. Customization is also available including product specification and label & packaging design.

Our mission for the future is to continuously raise quality standard and keep optimizing product performance to **BE YOUR BEST THERMAL SOLUTIONS.**



DC Axial Fans

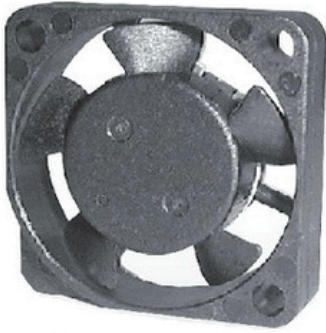
GULF ELECTRICS CO., LTD

Latest Product Information: www.gulf.com.tw/en
+886-7-5219966 ; service@gulf.com.tw





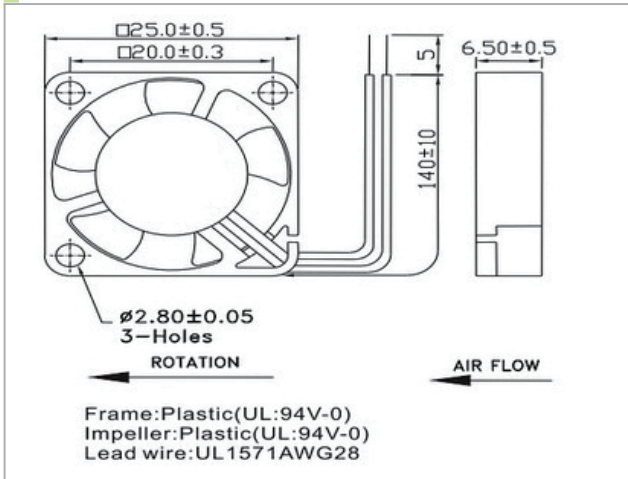
25X25X06mm



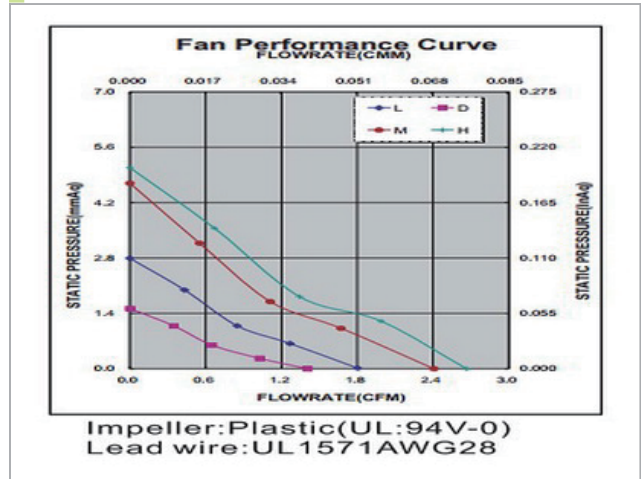
General Specifications

Airflow	1.4~2.6 CFM
Static Pressure	1.52~5.08 mmAq
Frame	Plastic UL94V-0
Lead Wire	UL1571 AWG28
Impeller	Plastic UL94V-0

Dimensions:mm



Performance



Specifications

Model NO.	Bearing	Rated Voltage	Speed	Airflow	Static Pressure	Current	Power	Noise	Weight
		VDC	RPM	CFM	mmAq	A	W	dBa	g
GD052506HX-A	Hypro	05	14000	2.6	5.08	0.15	0.75	35	5
GD052506MX-A	Hypro	05	12000	2.4	4.69	0.12	0.6	29	5
GD052506LX-A	Hypro	05	9000	1.8	2.79	0.07	0.35	21.5	5
GD052506DX-A	Hypro	05	7000	1.4	1.52	0.05	0.25	14	5
GD122506MX-A	Hypro	12	12000	2.4	4.69	0.06	0.72	29	5
GD122506LX-A	Hypro	12	9000	1.8	2.79	0.05	0.6	21.5	5

GULF ELECTRICS CO., LTD

Latest Product Information: www.gulf.com.tw/en

+886-7-5219966 ; service@gulf.com.tw





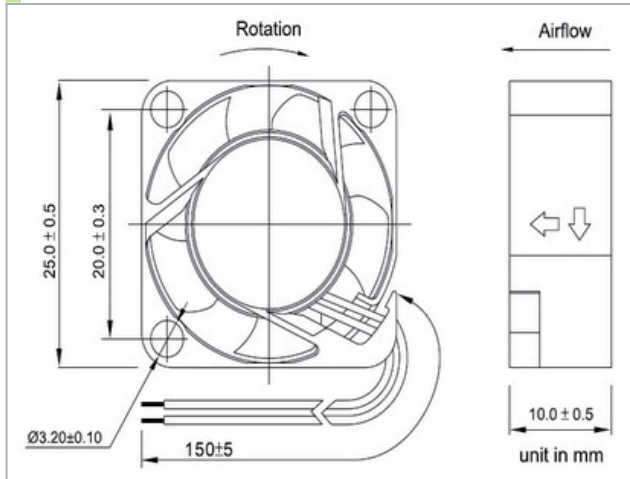
25X25X10mm



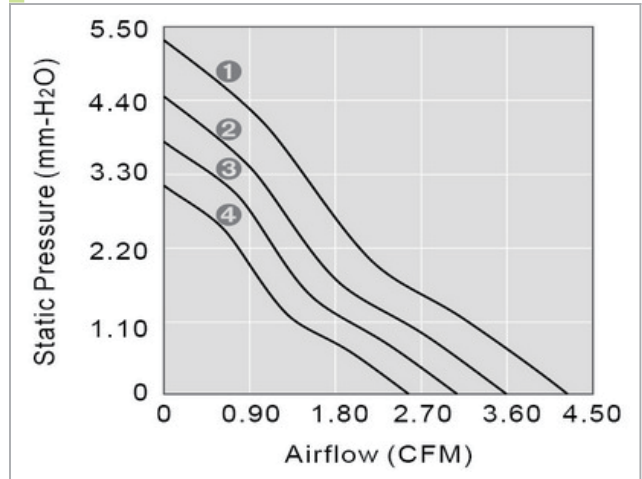
General Specifications

Airflow	2.0~3.3 CFM
Static Pressure	3.7~6.3 mm-H ₂ O
Housing	Plastic Material UL 94V-0 P.B.T.
Blade	Plastic Material UL 94V-0 P.B.T.
Lead Wire	UL1571 #28 AWG

Dimensions:mm



Performance



Specifications

Model NO.	Bearing	Rated Voltage	Operating Voltage Range	Speed RPM	Airflow CFM	Static Pressure mm-H ₂ O	Current mA	Power W	Life at 40°C L10 HOUR	P-Q Curve	Noise dBA	Weight g
		VDC	VDC									
GD052510LB-N	2BALL	05	4~5.5	7000	2.0	3.7	75	0.38	80000	4	18	7.5
GD052510MB-N	2BALL	05	4~5.5	8500	2.4	4.5	110	0.55	80000	3	22.5	7.5
GD052510HB-N	2BALL	05	4~5.5	10000	2.8	5.3	140	0.70	75000	2	26	7.5
GD052510EB-N	2BALL	05	4~5.5	12000	3.3	6.3	180	0.90	65000	1	30	7.5
GD052510LL-N	Sintetico	05	4~5.5	7000	2.0	3.7	80	0.40	50000	4	<17	7.5
GD052510ML-N	Sintetico	05	4~5.5	8500	2.4	4.5	80	0.40	50000	3	19.2	7.5
GD122510LB-N	2BALL	12	9~13.2	7000	2.0	3.7	40	0.48	80000	4	18	7.5
GD122510MB-N	2BALL	12	7~13.2	8500	2.4	4.5	50	0.60	80000	3	22.5	7.5
GD122510HB-N	2BALL	12	7~13.2	10000	2.8	5.3	65	0.78	75000	2	26	7.5
GD122510EB-N	2BALL	12	7~13.2	12000	3.3	6.3	70	0.84	65000	1	30	7.5
GD122510LL-N	Sintetico	12	9~13.2	7000	2.0	3.7	40	0.48	50000	4	<17	7.5
GD122510ML-N	Sintetico	12	9~13.2	8500	2.4	4.5	50	0.60	50000	3	19.2	7.5

GULF ELECTRICS CO., LTD

Latest Product Information: www.gulf.com.tw/en
+886-7-5219966 ; service@gulf.com.tw





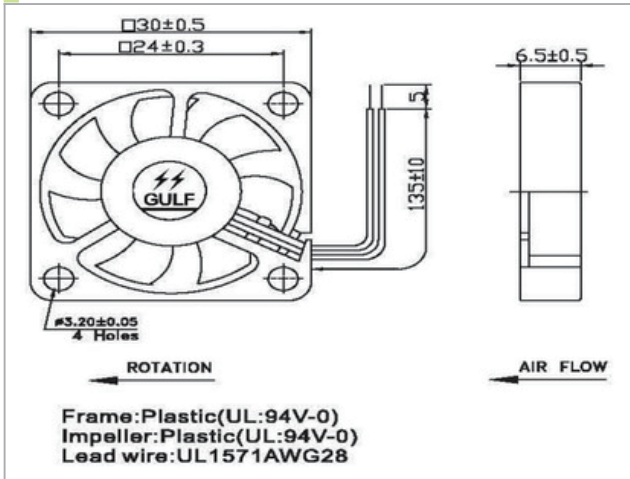
30X30X06mm



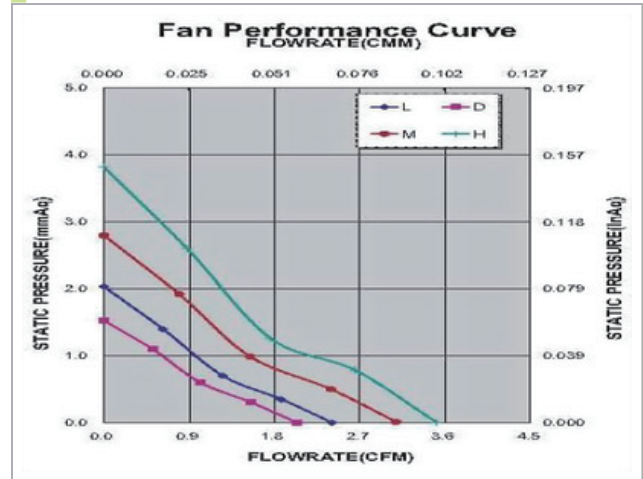
General Specifications

Airflow	2.0~3.5 CFM
Static Pressure	1.52~3.81 mmAq
Frame	Plastic UL94V-0
Lead Wire	UL1571 AWG28
Impeller	Plastic UL94V-0

Dimensions:mm



Performace



Specifications

Model NO.	Bearing	Rated Voltage VDC	Speed RPM	Airflow CFM	Static Pressure mmAq	Current A	Power W	Noise dBA	Weight g
GD053006DX-A	Hypro	5	6000	2.0	1.52	0.05	0.25	18.0	6
GD053006LX-A	Hypro	5	7500	2.4	2.03	0.06	0.40	22.0	6
GD053006MX-A	Hypro	5	9000	3.0	2.79	0.08	0.55	25.5	6
GD053006HX-A	Hypro	5	10500	3.5	3.81	0.12	0.60	32.0	6
GD123006LX-A	Hypro	12	7500	2.4	2.03	0.05	0.60	22.0	6
GD123006HX-A	Hypro	12	10500	3.5	3.81	0.08	0.96	32.3	6

GULF ELECTRICS CO., LTD

Latest Product Information: www.gulf.com.tw/en

+886-7-5219966 ; service@gulf.com.tw





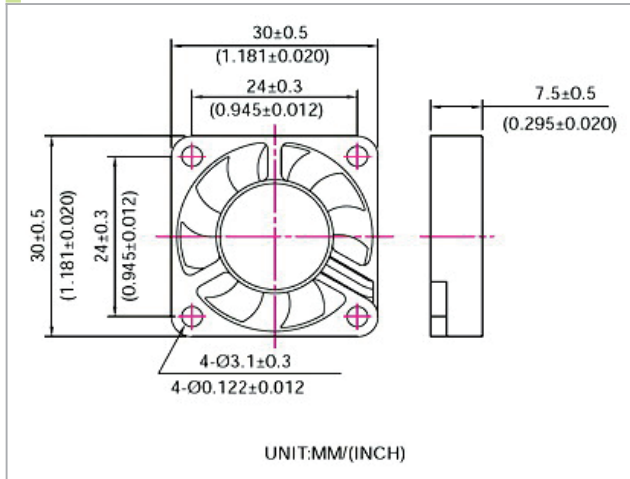
30X30X07mm



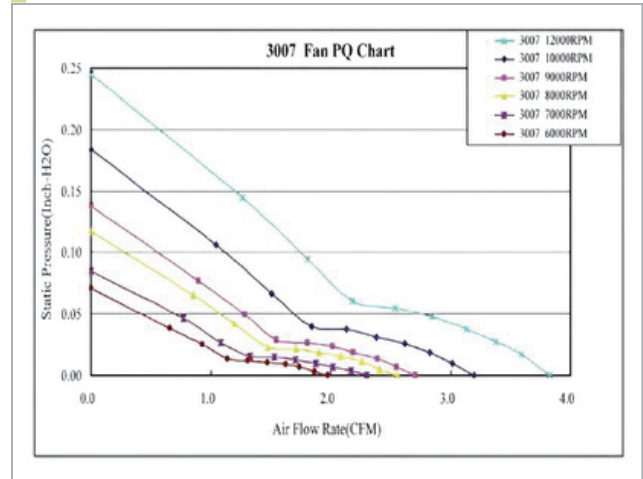
General Specifications

Airflow	1.98~3.82 CFM
Static Pressure	0.09~0.25 Inch-H2O
Blade	Plastic Material UL 94V-0 P.B.T.
Frame	Plastic Material UL 94V-0 P.B.T.
Lead Wire	UL1007 #28 AWG

Dimensions:mm



Performance



Specifications

Model NO.	Bearing	Rated Voltage		Speed		Airflow		Static Pressure		Current	Power	Noise
		VDC		RPM		CFM		Inch-H2O	A			
GD053007UB-CY	BALL	5		12000		3.82		0.25		0.22	1.1	36.2
GD053007EB-CY	BALL	5		10000		3.2		0.18		0.18	0.9	30
GD053007HB-CY	BALL	5		9000		2.71		0.14		0.16	0.8	26
GD053007MB-CY	BALL	5		8000		2.56		0.12		0.14	0.7	21
GD053007LB-CY	BALL	5		7000		2.3		0.09		0.12	0.6	17
GD053007LB-CY	BALL	5		6000		1.98		0.07		0.1	0.5	13.7
GD123007UB-CY	BALL	12		12000		3.82		0.25		0.14	1.68	36.2
GD123007EB-CY	BALL	12		10000		3.2		0.18		0.11	1.32	30
GD123007HB-CY	BALL	12		9000		2.71		0.14		0.09	1.08	26
GD123007MB-CY	BALL	12		8000		2.56		0.12		0.08	0.96	21
GD123007LB-CY	BALL	12		7000		2.3		0.09		0.06	0.72	17

GULF ELECTRICS CO., LTD

Latest Product Information: www.gulf.com.tw/en

+886-7-5219966 ; service@gulf.com.tw





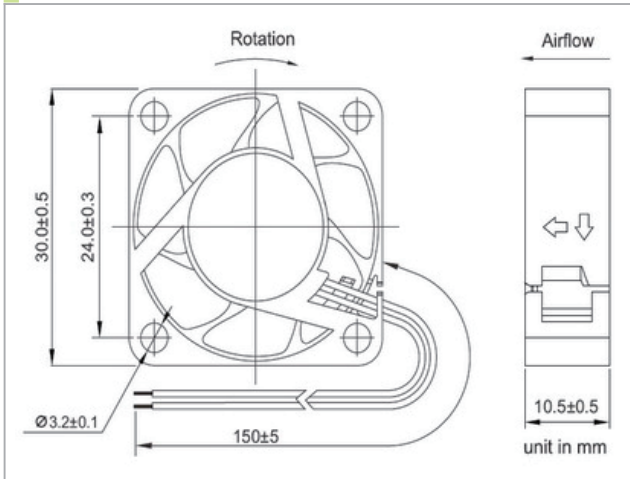
30X30X10mm



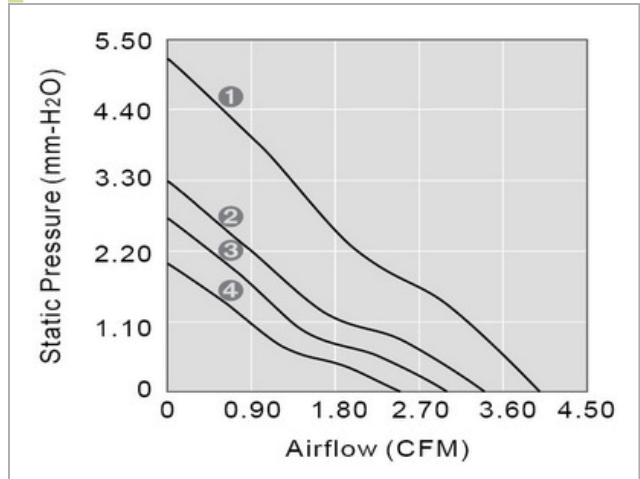
General Specifications

Airflow	2.5~4.0 CFM
Static Pressure	2.0~5.2 mm-H ₂ O
Housing	Plastic Material UL 94V-0 P.B.T.
Blade	Plastic Material UL 94V-0 P.B.T.
Lead Wire	UL1571 #28 AWG

Dimensions:mm



Performance



Specifications

Model NO.	Bearing	Rated Voltage VDC	Operating Voltage Range VDC	Speed RPM	Airflow CFM	Static Pressure mm-H ₂ O	Current mA	Power W	Life at 40 C L10 HOUR	P-Q Curve	Noise dBA	Weight g
GD053010LB-N	2BALL	5	4~5.5	5800	2.5	2.0	50	0.25	80000	4	<17	9
GD053010MB-N	2BALL	5	4~5.5	6800	3.0	2.7	80	0.40	80000	3	18.0	9
GD053010HB-N	2BALL	5	4~5.5	7800	3.4	3.3	90	0.45	75000	2	21.5	9
GD053010EB-N	2BALL	5	4~5.5	10000	4.0	5.2	120	0.60	65000	1	28.0	9
GD053010LL-N	Sintetico	5	4~5.5	6000	2.6	2.0	80	0.40	50000	4	<17	9
GD053010ML-N	Sintetico	5	4~5.5	7000	2.9	2.8	105	0.53	50000	3	20.5	9
GD053010HL-N	Sintetico	5	4~5.5	8000	3.3	3.6	130	0.65	50000	2	23.2	9
GD053010EL-N	Sintetico	5	4~5.5	10000	4.0	5.2	190	0.95	50000	1	28.0	9
GD123010LB-N	2BALL	12	9~13.2	5800	2.5	2.0	35	0.42	80000	4	<17	9
GD123010MB-N	2BALL	12	7~13.2	6800	3.0	2.7	40	0.48	80000	3	18.0	9
GD123010HB-N	2BALL	12	7~13.2	7800	3.4	3.3	40	0.48	75000	2	21.5	9
GD123010EB-N	2BALL	12	7~13.2	10000	4.0	5.2	60	0.72	65000	1	28.0	9
GD123010LL-N	Sintetico	12	9~13.2	6000	2.5	2.0	35	0.42	50000	4	<17	9
GD123010ML-N	Sintetico	12	7~13.2	7000	2.9	2.8	50	0.60	50000	3	20.5	9
GD123010HL-N	Sintetico	12	7~13.2	8000	3.3	3.6	60	0.72	50000	2	23.2	9
GD123010EL-N	Sintetico	12	7~13.2	10000	4.0	5.2	80	0.96	50000	1	28.0	9

GULF ELECTRICS CO., LTD

Latest Product Information: www.gulf.com.tw/en

+886-7-5219966 ; service@gulf.com.tw





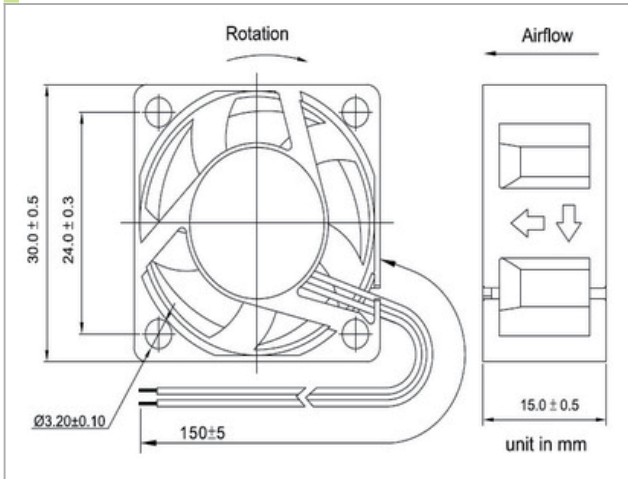
30X30X15mm



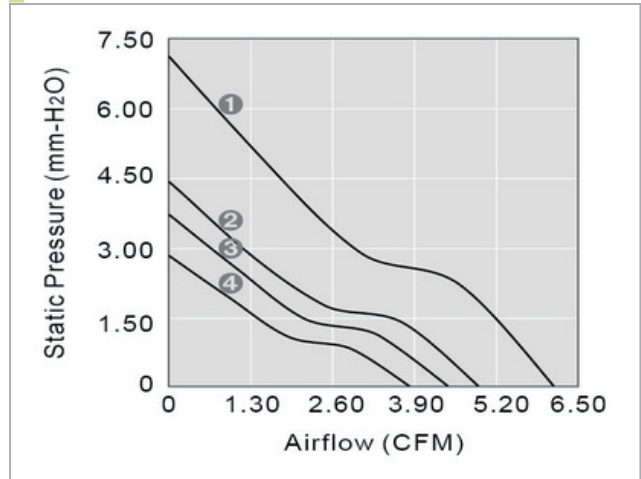
General Specifications

Airflow	3.8~6.1 CFM
Static Pressure	2.8~7.1 mm-H ₂ O
Housing	Plastic Material UL 94V-0 P.B.T.
Blade	Plastic Material UL 94V-0 P.B.T.
Lead Wire	UL1571 #28 AWG

Dimensions:mm



Performance



Specifications

Model NO.	Bearing	Rated Voltage VDC	Operating Voltage Range VDC	Speed RPM	Airflow CFM	Static Pressure mm-H ₂ O	Current mA	Power W	Life at 40°C L10 HOUR	P-Q Curve	Noise dBA	Weight g
GD053015LB-N	2BALL	5	4~5.5	7000	3.8	2.8	60	0.30	80000	4	<17	13
GD053015MB-N	2BALL	5	4~5.5	8000	4.4	3.7	85	0.42	80000	3	20.5	13
GD053015HB-N	2BALL	5	4~5.5	9000	4.9	4.4	110	0.55	75000	2	25.0	13
GD053015EB-N	2BALL	5	4~5.5	11000	5.7	6.3	200	1.00	65000	1	30.0	13
GD123015LB-N	2BALL	12	7~13.2	7000	3.8	2.8	30	0.36	80000	4	<17	13
GD123015MB-N	2BALL	12	7~13.2	8000	4.4	3.7	40	0.48	80000	3	20.5	13
GD053015HB-N	2BALL	12	7~13.2	9000	4.9	4.4	45	0.54	75000	2	25.0	13
GD123015EB-N	2BALL	12	7~13.2	11500	6.1	7.1	90	1.08	65000	1	30.0	13

GULF ELECTRICS CO., LTD

Latest Product Information: www.gulf.com.tw/en

+886-7-5219966 ; service@gulf.com.tw





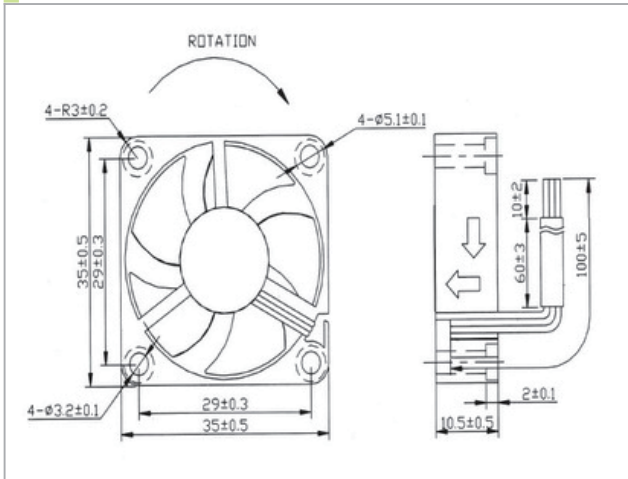
35X35X10mm



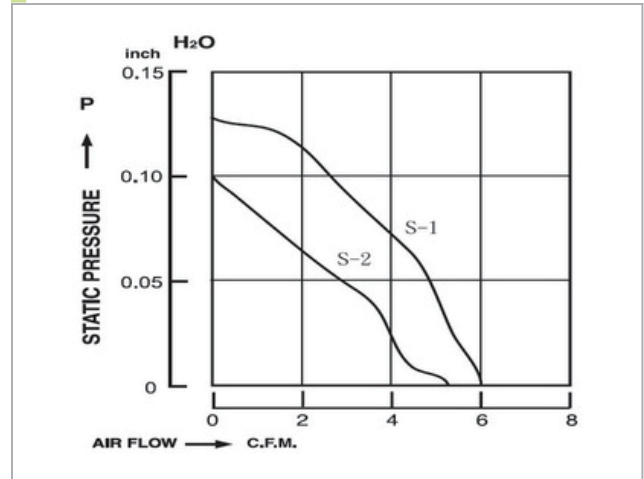
General Specifications

Airflow	5.1~6 CFM
Static Pressure	0.10~0.13 Inch-H ₂ O
Housing	Plastic With Fiber Glass Filled UL 94V-0
Impeller	Plastic With Fiber Glass Filled UI 94V-0
Connecting	Wire Leads

Dimensions:mm



Performance



Specifications

Model NO.	Bearing	Rated Voltage		Speed		Airflow		Static Pressure		Current		Power	Noise
		VDC		RPM		CFM		Inch-H ₂ O	A	W	dBA		
GD053510HB-COM	2BALL	5		8000		6		0.13		0.17	0.85	30	
GD123510HB-COM	2BALL	12		8000		6		0.13		0.09	1.08	30	
GD053510MB-COM	2BALL	5		7000		5.1		0.10		0.12	0.6	27.5	
GD123510MB-COM	2BALL	12		7000		5.10		0.10		0.08	0.96	27.5	

GULF ELECTRICS CO., LTD

Latest Product Information: www.gulf.com.tw/en

+886-7-5219966 ; service@gulf.com.tw





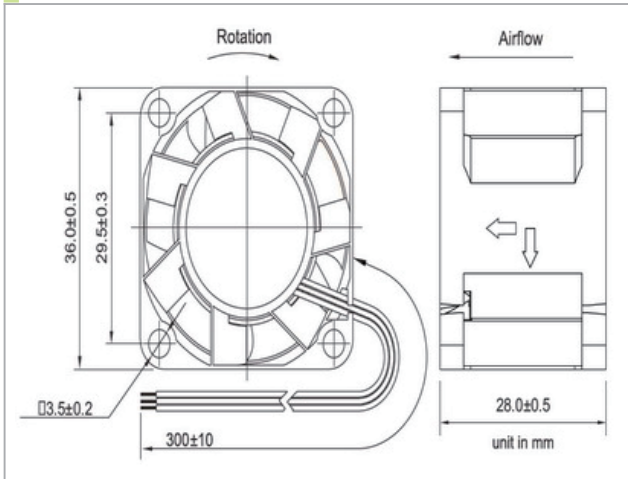
36X36X28mm



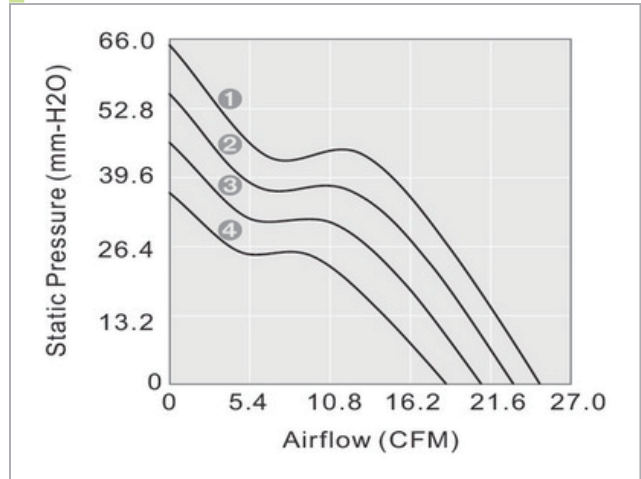
General Specifications

Airflow	18.74~24.99 CFM
Static Pressure	36.63~65.09 mm-H2O
Housing	Plastic Material UL 94V-0 P.B.T.
Blade	Plastic Material UL 94V-0 P.B.T.
Lead Wire	UL1061 #28 AWG

Dimensions:mm



Performance



Specifications

Model NO.	Bearing	Rated Voltage VDC	Operating Voltage Range VDC	Speed RPM	Airflow CFM	Static Pressure mm-H2O	Current mA	Power W	Life at 40°C L10 HOUR	P-Q Curve	Noise dBA	Weight g
GD123628MB-P	2BALL	12	7~13.2	17000	18.74	36.63	500	6.00	80000	4	56.0	46.5
GD123628HB-P	2BALL	12	7~13.2	19000	21.05	46.40	650	7.80	75000	3	59.5	46.5
GD123628EB-P	2BALL	12	7~13.2	21000	23.22	55.71	850	10.20	65000	2	61.0	46.5
GD123628EB-P	2BALL	12	7~13.2	23000	24.99	65.09	1000	12.00	65000	1	63.0	46.5

GULF ELECTRICS CO., LTD

Latest Product Information: www.gulf.com.tw/en

+886-7-5219966 ; service@gulf.com.tw





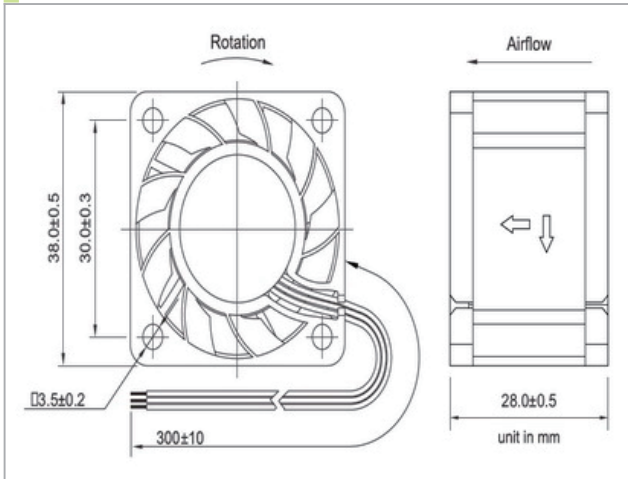
38X38X28mm



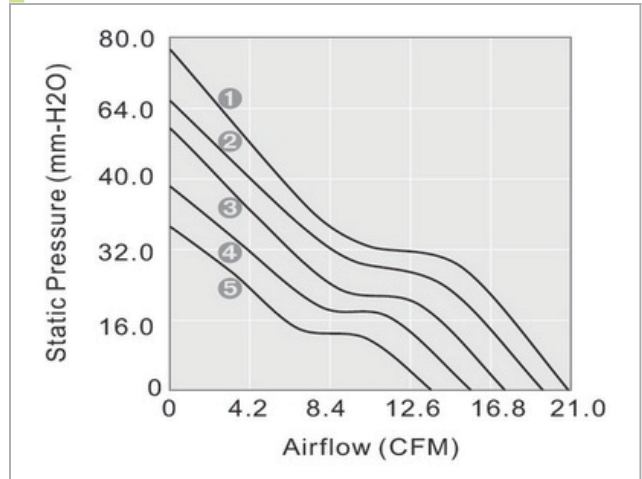
General Specifications

Airflow	13.73~20.86 CFM
Static Pressure	37.13~77.26 mm-H ₂ O
Housing	Plastic Material UL 94V-0 P.B.T.
Blade	Plastic Material UL 94V-0 P.B.T.
Lead Wire	UL1061 #28 AWG

Dimensions:mm



Performance



Specifications

Model NO.	Bearing	Rated Voltage VDC	Operating Voltage Range VDC	Speed RPM	Airflow CFM	Static Pressure mm-H ₂ O	Current mA	Power W	Life at 40°C L10 HOUR	P-Q Curve	Noise dBA	Weight g
GD123828MB-P	2BALL	12	7~13.2	17000	13.73	37.13	300	3.60	80000	5	46.5	47
GD123828HB-P	2BALL	12	7~13.2	19000	15.77	46.27	400	4.80	75000	4	48.0	47
GD123828EB-P	2BALL	12	7~13.2	21000	17.53	59.41	500	6.00	65000	3	53.0	47
GD123828EB-P	2BALL	12	7~13.2	23500	19.49	65.37	700	8.40	65000	2	56.0	47
GD123828UB-P	2BALL	12	7~13.2	25000	20.86	77.26	850	10.20	65000	1	57.5	47

GULF ELECTRICS CO., LTD

Latest Product Information: www.gulf.com.tw/en

+886-7-5219966 ; service@gulf.com.tw





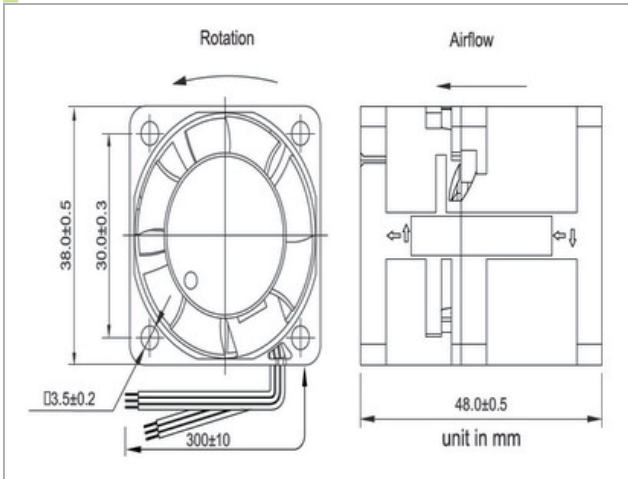
38X38X48mm



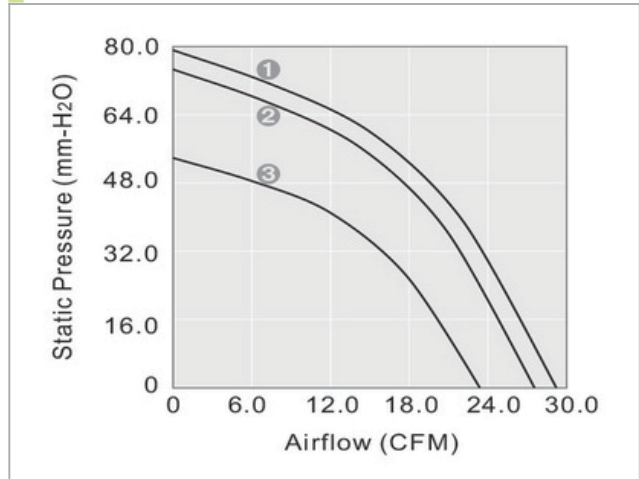
General Specifications

Airflow	23.48~29.28 CFM
Static Pressure	53.9~79.1 mm-H ₂ O
Housing	Plastic Material UL 94V-0 P.B.T.
Blade	Plastic Material UL 94V-0 P.B.T.
Lead Wire	UL1061 #28 AWG

Dimensions:mm



Performance



Specifications

Model NO.	Bearing	Rated Voltage VDC	Operating Voltage Range VDC	Speed RPM	Airflow CFM	Static Pressure mm-H ₂ O	Current mA	Power W	Life at 40°C L10 HOUR	P-Q Curve	Noise dBA	Weight g
GD123848HB-P	2BALL	12	7~13.2	20000/12500	23.48	53.9	450	5.40	65000	3	59.0	72.4
GD123848EB-P	2BALL	12	7~13.2	23500/14500	27.62	74.6	700	8.40	65000	2	62.5	72.4
GD123848UB-P	2BALL	12	7~13.2	25000/15000	29.28	79.1	830	9.96	60000	1	64.0	72.4

GULF ELECTRICS CO., LTD

Latest Product Information: www.gulf.com.tw/en
+886-7-5219966 ; service@gulf.com.tw





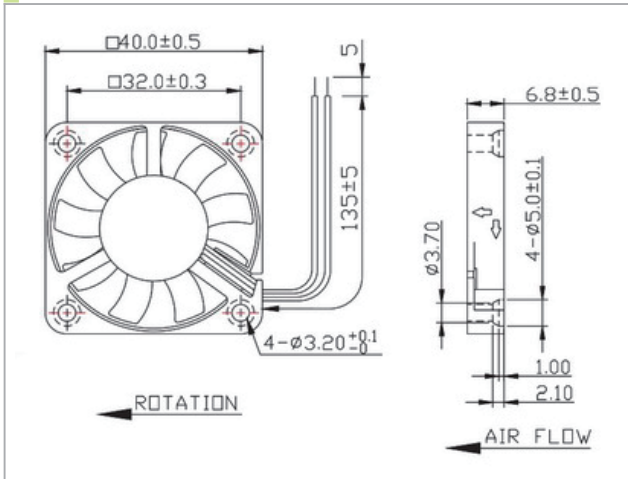
40X40X06mm



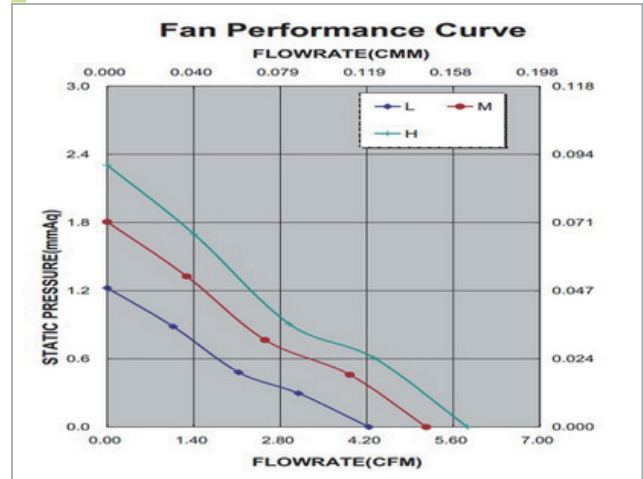
General Specifications

Airflow	4.22~5.80 CFM
Static Pressure	1.21~2.28 mmAq
Housing	Plastic Material UL 94V-0 P.B.T.
Blade	Plastic Material UL 94V-0 P.B.T.
Lead Wire	UL1571 AWG28

Dimensions:mm



Performance



Specifications

Model NO.	Bearing	Rated Voltage VDC	Speed RPM	Airflow CFM	Static Pressure mmAq	Current A	Power W	Noise dBA	Weight g
GD054006LX-A	Hypro	5	4800	4.22	1.21	0.04	0.20	22.0	9
GD054006MB-A	Hypro	5	5800	5.10	1.77	0.07	0.35	27.6	9
GD054006HX-A	Hypro	5	6600	5.80	2.28	0.10	0.50	31.0	9
GD124006LX-A	Hypro	12	4800	4.22	1.21	0.04	0.48	22.0	9
GD124006MX-A	Hypro	12	5800	5.10	1.77	0.05	0.60	27.6	9
GD124006HX-A	Hypro	12	6600	5.80	2.28	0.06	0.72	31.0	9

GULF ELECTRICS CO., LTD

Latest Product Information: www.gulf.com.tw/en

+886-7-5219966 ; service@gulf.com.tw





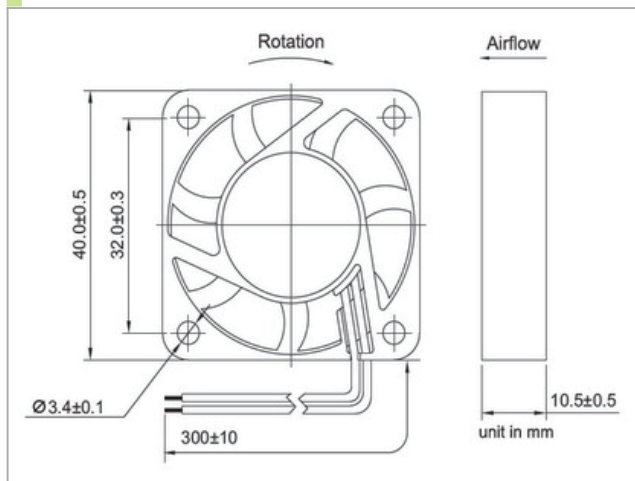
40X40X10mm



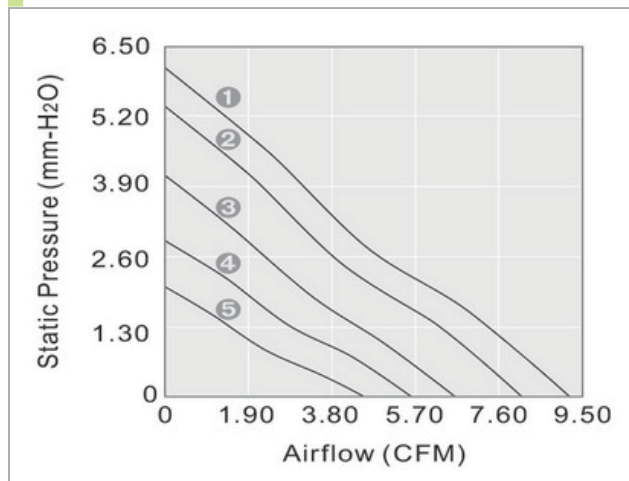
General Specifications

Airflow	4.5~9.2 CFM
Static Pressure	2.0~6.4 mm-H ₂ O
Housing	Plastic Material UL 94V-0 P.B.T.
Blade	Plastic Material UL 94V-0 P.B.T.
Lead Wire	UL1007 #26 AWG

Dimensions:mm



Performance



Specifications

Model NO.	Bearing	Rated Voltage VDC	Operating Voltage Range VDC	Speed RPM	Airflow CFM	Static Pressure mm-H ₂ O	Current mA	Power W	Life at 40 C L10 HOUR	P-Q Curve	Noise dBA	Weight g
GD054010LB	2BALL	5	4~5.5	4500	4.5	2.0	90	0.45	80000	5	21.5	15
GD054010MB	2BALL	5	4~5.5	5500	5.6	2.9	130	0.65	80000	4	26.5	15
GD054010HB	2BALL	5	4~5.5	6500	6.6	4.1	170	0.85	75000	3	29.0	15
GD054010EB	2BALL	5	4~5.5	7500	8.1	5.4	250	1.25	65000	2	34.5	15
GD054010EB	2BALL	5	4~5.5	8000	8.5	6.1	300	1.50	65000	0	36.5	15
GD124010LB	2BALL	12	7~13.2	4500	4.5	2.0	45	0.54	80000	5	21.5	15
GD124010MB	2BALL	12	7~13.2	5500	5.3	2.9	65	0.78	80000	4	25.0	15
GD124010HB	2BALL	12	7~13.2	6500	6.6	4.1	75	0.90	75000	3	29.0	15
GD124010EB	2BALL	12	7~13.2	7500	8.1	5.4	100	1.20	65000	2	34.5	15
GD124010EB	2BALL	12	7~13.2	8500	9.2	6.4	120	1.44	65000	1	37.0	15
GD244010LB	2BALL	24	12~26.4	4500	4.5	2.0	50	1.20	80000	5	21.5	15
GD244010MB	2BALL	24	12~26.4	5500	5.3	2.9	60	1.44	80000	4	25.0	15
GD244010HB	2BALL	24	12~26.4	6500	6.6	4.1	70	1.68	75000	3	29.0	15

GULF ELECTRICS CO., LTD

Latest Product Information: www.gulf.com.tw/en
+886-7-5219966 ; service@gulf.com.tw





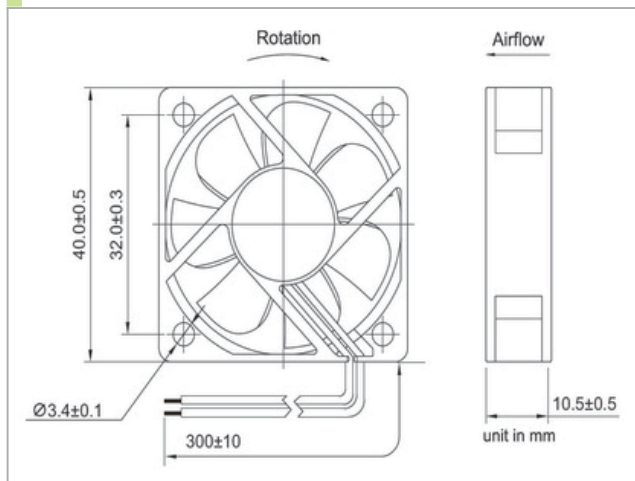
40X40X10mm



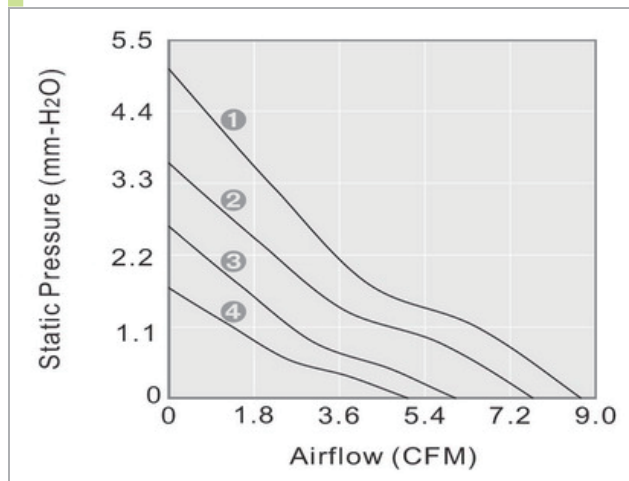
General Specifications

Airflow	5.08~8.71 CFM
Static Pressure	1.69~5.08 mm-H ₂ O
Housing	Plastic Material UL 94V-0 P.B.T.
Blade	Plastic Material UL 94V-0 P.B.T.
Lead Wire	UL1007 #26 AWG

Dimensions:mm



Performance



Specifications

Model NO.	Bearing	Rated Voltage VDC	Operating Voltage Range VDC	Speed RPM	Airflow CFM	Static Pressure mm-H ₂ O	Current mA	Power W	Life at 40°C L10 HOUR	P-Q Curve	Noise dBA	Weight g
GD054010LL-N	Sintetico	5	4~5.5	5000	5.08	1.69	70	0.35	50000	4	17.5	13.6
GD054010ML-N	Sintetico	5	4~5.5	6000	6.09	2.64	120	0.60	50000	3	21.5	13.6
GD054010HL-N	Sintetico	5	4~5.5	7500	7.69	3.64	180	0.90	50000	2	25.0	13.6
GD124010LB-N	2BALL	12	8~13.2	5000	5.08	1.69	25	0.30	80000	4	17.5	13.6
GD124010MB-N	2BALL	12	8~13.2	6000	6.09	2.64	40	0.48	80000	3	21.5	13.6
GD124010HB-N	2BALL	12	7~13.2	7500	7.69	3.64	60	0.72	75000	2	25.0	13.6
GD124010EB-N	2BALL	12	7~13.2	8500	8.71	5.09	80	0.96	65000	1	28.0	13.6
GD124010LL-N	Sintetico	12	7~13.2	5000	5.08	1.69	30	0.42	50000	4	17.5	13.6
GD124010ML-N	Sintetico	12	7~13.2	6000	6.09	2.64	50	0.60	50000	3	21.5	13.6
GD124010HL-N	Sintetico	12	7~13.2	7500	7.69	3.64	75	0.90	50000	2	25.0	13.6

GULF ELECTRICS CO., LTD

Latest Product Information: www.gulf.com.tw/en
+886-7-5219966 ; service@gulf.com.tw





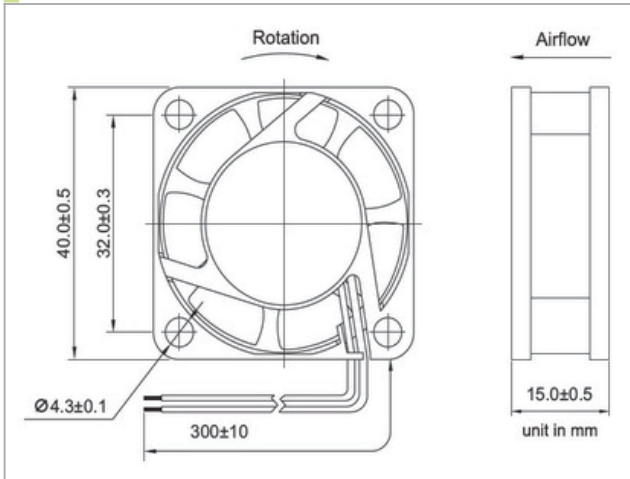
40X40X15mm



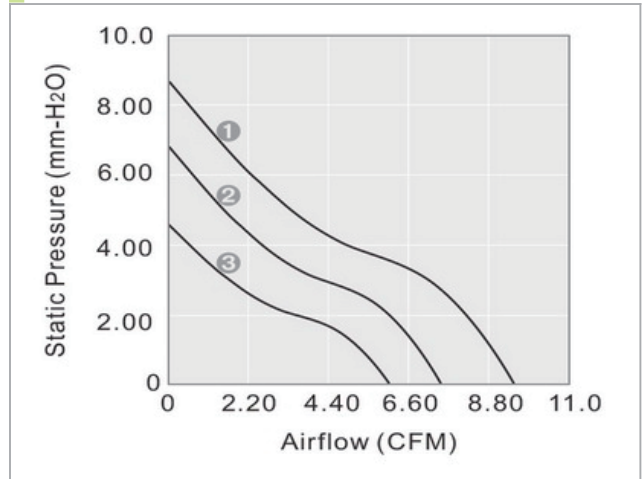
General Specifications

Airflow	6.1~9.5 CFM
Static Pressure	4.6~8.7 mm-H ₂ O
Housing	Plastic Material UL 94V-0 P.B.T.
Blade	Plastic Material UL 94V-0 P.B.T.
Lead Wire	UL1007 #26 AWG

Dimensions:mm



Performance



Specifications

Model NO.	Bearing	Rated Voltage	Operating Voltage Range	Speed	Airflow	Static Pressure	Current	Power	Life at 40 C L10	P-Q Curve	Noise	Weight
		VDC	VDC	RPM	CFM	mm-H ₂ O	mA	W	HOUR		dBA	g
GD054015LB	2BALL	5	4~5.5	6000	6.1	4.6	200	1.00	80000	3	28.0	26
GD054015MB	2BALL	5	4~5.5	7300	7.5	6.8	280	1.40	80000	2	32.0	26
GD124015LB	2BALL	12	7~13.2	6000	6.1	4.6	70	0.84	80000	3	28.0	26
GD124015MB	2BALL	12	7~13.2	7300	7.5	6.8	110	1.22	80000	2	32.0	26
GD124015HB	2BALL	12	7~13.2	8600	9.5	8.7	160	1.92	75000	1	36.5	26
GD124015LS	SLEEVE	12	7~13.2	5800	5.8	4.2	80	0.96	30000	3	24.5	26
GD124015MS	SLEEVE	12	7~13.2	7300	7.5	6.8	100	1.20	30000	2	32.0	26
GD124015HS	SLEEVE	12	7~13.2	8600	9.5	8.7	140	1.68	25000	1	36.5	26

GULF ELECTRICS CO., LTD

Latest Product Information: www.gulf.com.tw/en
+886-7-5219966 ; service@gulf.com.tw





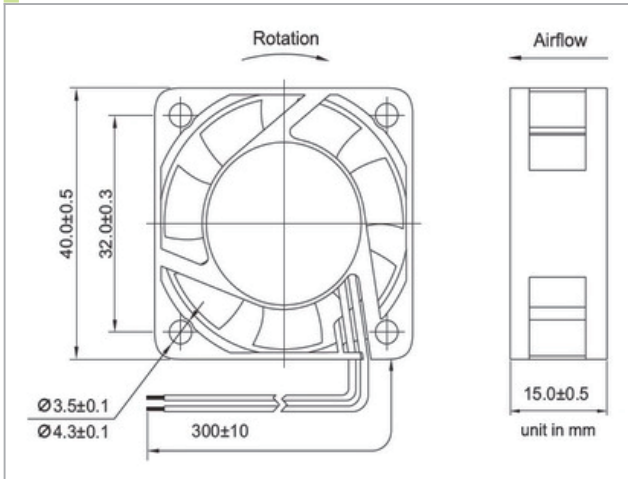
40X40X15mm



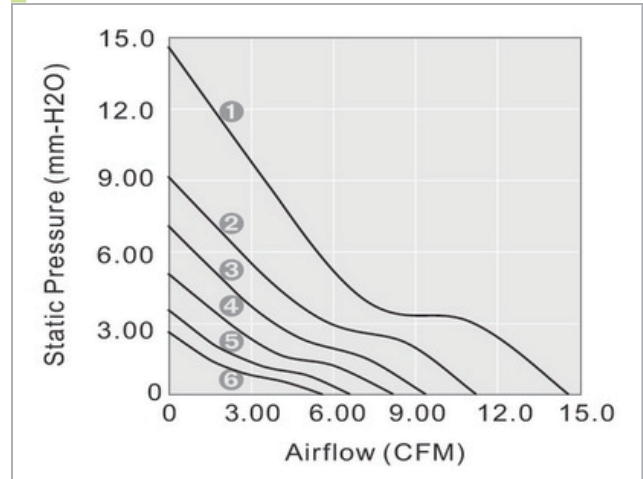
General Specifications

Airflow	5.6~14.6 CFM
Static Pressure	2.6~14.6 mm-H ₂ O
Housing	Plastic Material UL 94V-0 P.B.T.
Blade	Plastic Material UL 94V-0 P.B.T.
Lead Wire	UL1007 #26 AWG

Dimensions:mm



Performance



Specifications

Model NO.	Bearing	Rated Voltage VDC	Operating Voltage Range VDC	Speed RPM	Airflow CFM	Static Pressure mm-H ₂ O	Current mA	Power W	Life at 40°C L10 HOUR	P-Q Curve	Noise dBA	Weight g
GD124015LB-N	2BALL	12	7~13.2	5000	5.6	2.6	90	1.08	80000	6	24.0	26
GD124015MB-N	2BALL	12	7~13.2	6000	6.6	3.5	100	1.20	80000	5	29.3	26
GD124015HB-N	2BALL	12	7~13.2	7000	8.2	5.1	130	1.56	75000	4	33.2	26
GD124015EB-N	2BALL	12	7~13.2	8300	9.4	7.1	190	2.28	65000	3	36.8	26
GD124015EB-N	2BALL	12	7~13.2	9500	11.2	9.1	240	2.88	65000	2	40.8	26
GD124015UB-N	2BALL	12	7~13.2	11000	14.6	14.6	280	3.36	65000	1	42.5	26

GULF ELECTRICS CO., LTD

Latest Product Information: www.gulf.com.tw/en

+886-7-5219966 ; service@gulf.com.tw





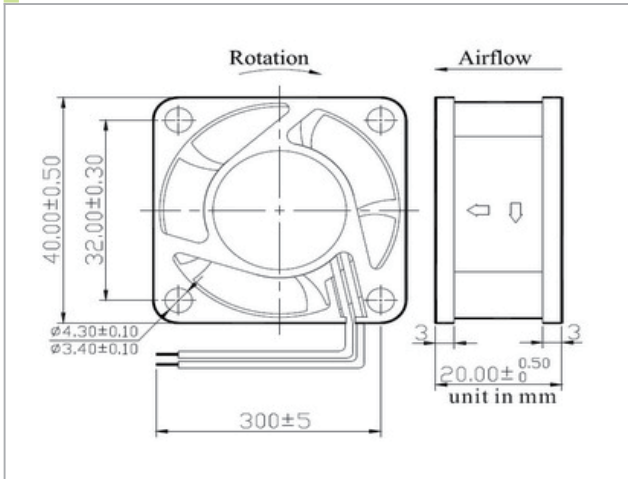
40X40X20mm



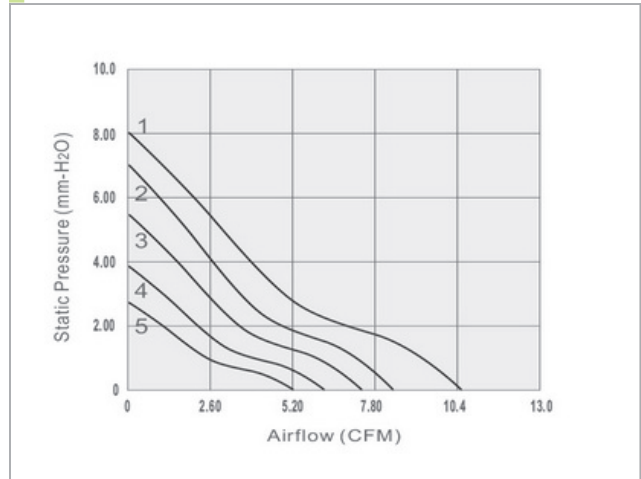
General Specifications

Airflow	5.2~10.7 CFM
Static Pressure	2.7~8.0 mm-H ₂ O
Housing	Plastic Material UL 94V-0 P.B.T.
Blade	Plastic Material UL 94V-0 P.B.T.
Lead Wire	UL1007 #26 AWG

Dimensions:mm



Performance



Specifications

Model NO.	Bearing	Rated Voltage VDC	Operating Voltage Range VDC	Speed RPM	Airflow CFM	Static Pressure mm-H ₂ O	Current mA	Power W	Life at 40 C L10 HOUR	P-Q Curve	Noise dBA	Weight g
GD054020LB	2BALL	5	4~5.5	4600	5.2	2.7	110	0.55	80000	5	20.0	24
GD054020MB	2BALL	5	4~5.5	5600	6.3	3.8	140	0.70	80000	4	24.0	24
GD054020HB	2BALL	5	4~5.5	6600	7.5	5.4	180	0.90	75000	3	27.0	24
GD054020EB	2BALL	5	4~5.5	7600	8.5	7.0	230	1.15	75000	2	31.5	24
GD124020LB	2BALL	12	7~13.2	4600	5.2	2.7	50	0.60	80000	5	20.0	24
GD124020MB	2BALL	12	7~13.2	5600	6.3	3.8	70	0.84	80000	4	24.0	24
GD124020HB	2BALL	12	7~13.2	6600	7.5	5.4	100	1.20	75000	3	27.0	24
GD124020EB	2BALL	12	7~13.2	9000	10.7	8.0	120	1.44	75000	1	35.5	24
GD244020MB	2BALL	24	12~26.4	5600	6.3	3.8	40	0.96	80000	4	24.0	24
GD244020HB	2BALL	24	12~26.4	6600	7.5	5.4	50	1.20	75000	3	27.0	24
GD244020EB	2BALL	24	12~26.4	7600	8.5	7.0	80	1.92	75000	2	31.5	24

GULF ELECTRICS CO., LTD

Latest Product Information: www.gulf.com.tw/en

+886-7-5219966 ; service@gulf.com.tw





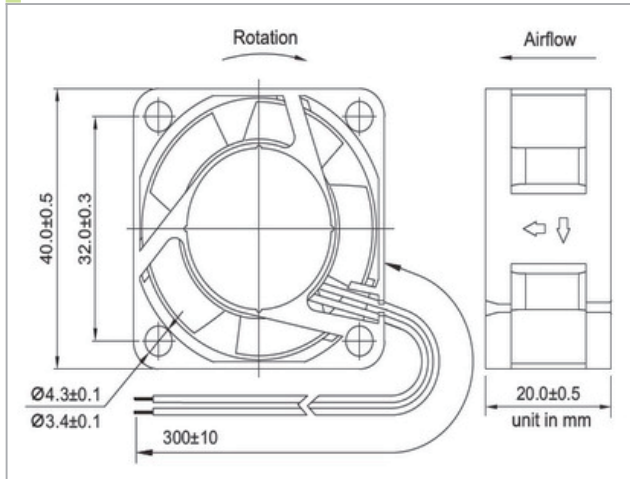
40X40X20mm



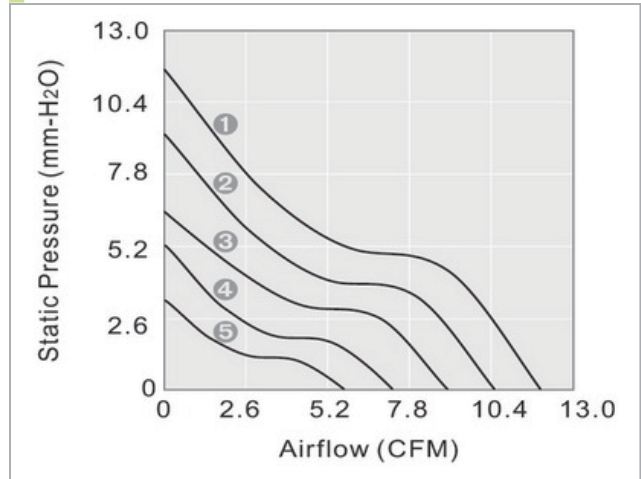
General Specifications

Airflow	5.7~12.0 CFM
Static Pressure	3.2~11.5 mm-H ₂ O
Housing	Plastic Material UL 94V-0 P.B.T.
Blade	Plastic Material UL 94V-0 P.B.T.
Lead Wire	UL1007 #26 AWG

Dimensions:mm



Performance



Specifications

Model NO.	Bearing	Rated Voltage VDC	Operating Voltage Range VDC	Speed RPM	Airflow CFM	Static Pressure mm-H ₂ O	Current mA	Power W	Life at 40 C L10 HOUR	P-Q Curve	Noise dBA	Weight g
GD054020LL-H	Sintetico	5	4~5.5	5000	5.7	3.2	250	1.25	50000	5	20.0	24
GD054020ML-H	Sintetico	5	4~5.5	6300	7.2	5.2	350	1.75	80000	4	25.5	24
GD054020HL-H	Sintetico	5	4~5.5	7600	9.0	6.4	530	2.65	75000	3	29.5	24
GD124020LB-H	2BALL	12	7~13.2	5000	5.7	3.2	70	0.84	80000	5	20.0	24
GD124020MB-H	2BALL	12	7~13.2	6300	7.2	5.2	100	1.20	80000	4	25.5	24
GD124020HB-H	2BALL	12	7~13.2	7600	9.0	6.4	140	1.68	75000	3	29.5	24
GD124020EB-H	2BALL	12	7~13.2	8900	10.5	9.2	170	2.04	65000	2	33.5	24
GD124020UB-H	2BALL	12	7~13.2	10000	12.0	11.5	210	2.52	65000	1	37.5	24
GD244020LB-H	2BALL	24	12~26.4	5000	5.7	3.2	40	0.96	80000	5	20.0	24
GD244020MB-H	2BALL	24	12~26.4	6300	7.2	5.2	50	1.20	80000	4	25.5	24
GD244020HB-H	2BALL	24	12~26.4	7600	9.0	6.4	70	1.68	75000	3	29.5	24
GD244020EB-H	2BALL	24	12~26.4	8900	10.5	9.2	100	2.40	65000	2	33.5	24
GD244020UB-H	2BALL	24	12~26.4	10000	12.0	11.5	130	3.12	65000	1	37.5	24

GULF ELECTRICS CO., LTD

Latest Product Information: www.gulf.com.tw/en

+886-7-5219966 ; service@gulf.com.tw





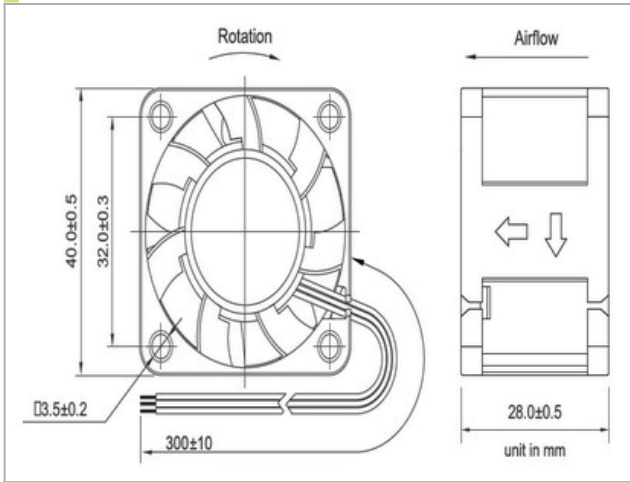
40X40X28mm



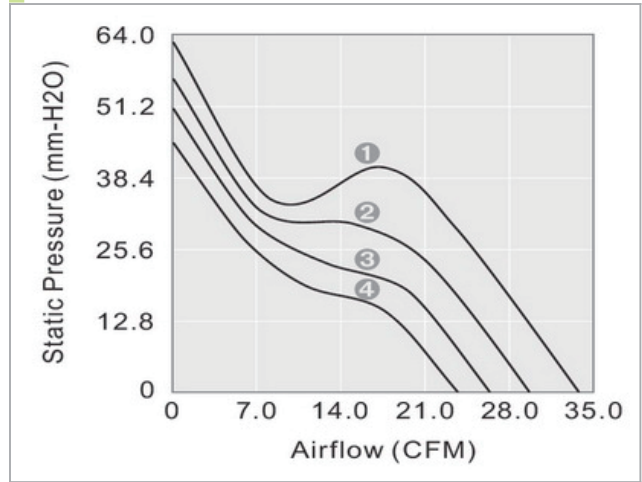
General Specifications

Airflow	23.61~33.68 CFM
Static Pressure	44.66~62.52 mm-H2O
Housing	Plastic Material UL 94V-0 P.B.T.
Blade	Plastic Material UL 94V-0 P.B.T.
Lead Wire	UL1061 #28 AWG

Dimensions:mm



Performance



Specifications

Model NO.	Bearing	Rated Voltage VDC	Operating Voltage Range VDC	Speed RPM	Airflow CFM	Static Pressure mm-H2O	Current mA	Power W	Life at 40°C L10 HOUR	P-Q Curve	Noise dBA	Weight g
GD124028MB-E	2BALL	12	7~13.2	17000	23.61	44.66	600	7.20	80000	4	52.5	48.1
GD124028HB-E	2BALL	12	7~13.2	19000	26.26	50.78	900	10.80	75000	3	56.0	48.1
GD124028EB-E	2BALL	12	7~13.2	21000	29.57	56.02	1200	14.40	65000	2	58.0	48.1
GD124028EB-E	2BALL	12	7~13.2	23500	33.68	62.52	1800	21.60	65000	1	61.0	48.1

GULF ELECTRICS CO., LTD

Latest Product Information: www.gulf.com.tw/en

+886-7-5219966 ; service@gulf.com.tw





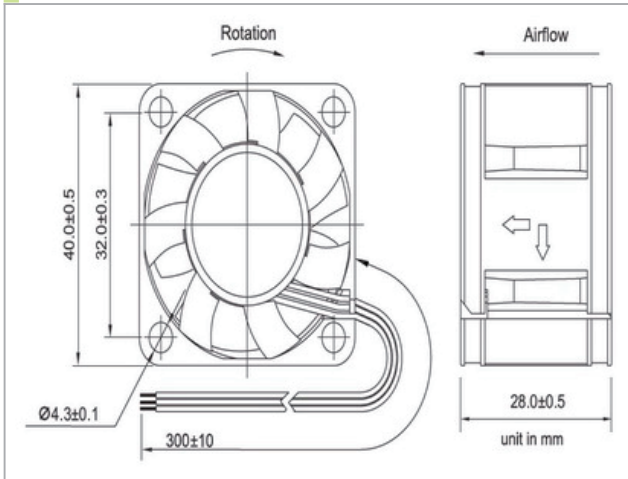
40X40X28mm



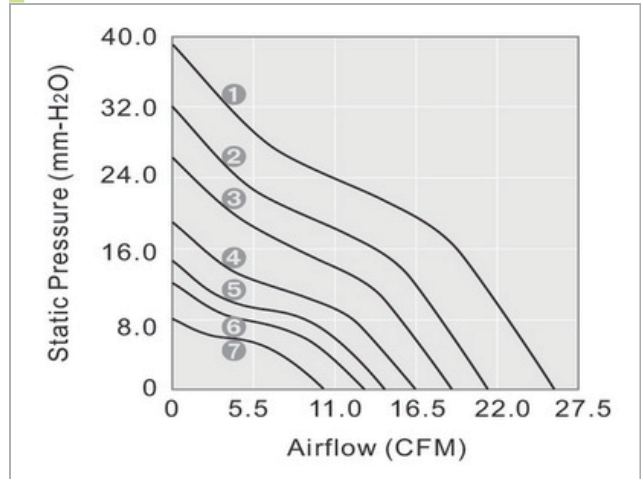
General Specifications

Airflow	10.3~25.9 CFM
Static Pressure	7.9~39.0 mm-H ₂ O
Housing	Plastic Material UL 94V-0 P.B.T.
Blade	Plastic Material UL 94V-0 P.B.T.
Lead Wire	UL1007 #26 AWG

Dimensions:mm



Performance



Specifications

Model NO.	Bearing	Rated Voltage VDC	Operating Voltage Range VDC	Speed RPM	Airflow CFM	Static Pressure mm-H ₂ O	Current mA	Power W	Life at 40°C L10 HOUR	P-Q Curve	Noise dBA	Weight g
GD054028HB-P	2BALL	5	4~5.5	8000	14.4	14.6	480	2.04	75000	5	37.5	45.1
GD124028LB-P	2BALL	12	7~13.2	5000	10.3	7.9	90	1.08	80000	7	24.5	45.1
GD124028MB-P	2BALL	12	7~13.2	7000	13.0	12.0	150	1.80	80000	6	34.5	45.1
GD124028HB-P	2BALL	12	7~13.2	8000	14.4	14.6	180	2.16	75000	5	37.5	45.1
GD124028EB-P	2BALL	12	7~13.2	9500	16.5	18.9	260	3.12	65000	4	41.0	45.1
GD124028EB-P	2BALL	12	7~13.2	11000	19.0	26.2	460	5.52	65000	3	47.0	45.1
GD124028EB-P	2BALL	12	7~13.2	13000	21.4	31.9	550	6.60	65000	2	49.5	45.1
GD124028EB-P	2BALL	12	7~13.2	16000	25.9	39.0	750	9.00	65000	1	51.5	45.1
GD244028LB-P	2BALL	24	12~26.4	5000	10.3	7.9	80	1.92	80000	7	24.5	45.1
GD244028MB-P	2BALL	24	12~26.4	7000	13.0	12.0	90	2.04	80000	6	34.5	45.1
GD244028HB-P	2BALL	24	12~26.4	8000	14.4	14.6	160	3.84	75000	5	37.5	45.1
GD244028EB-P	2BALL	24	12~26.4	9500	16.5	18.9	200	4.80	65000	4	41.0	45.1
GD244028EB-P	2BALL	24	12~26.4	11000	19.0	26.2	280	6.72	65000	3	47.0	45.1
GD244028EB-P	2BALL	24	12~26.4	13000	21.4	31.9	430	10.32	65000	2	49.5	45.1

GULF ELECTRICS CO., LTD

Latest Product Information: www.gulf.com.tw/en
+886-7-5219966 ; service@gulf.com.tw





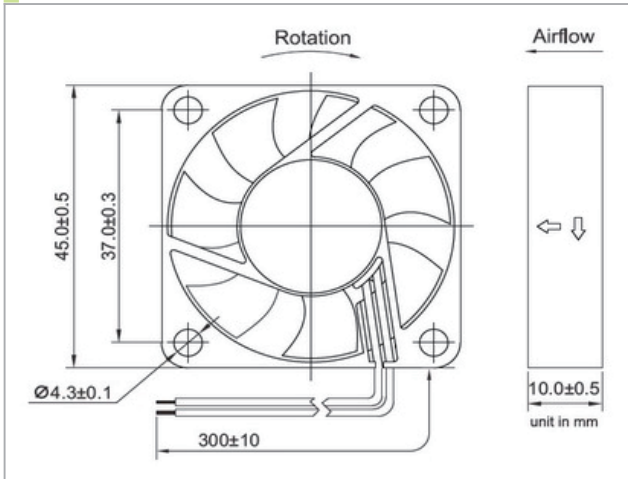
45X45X10mm



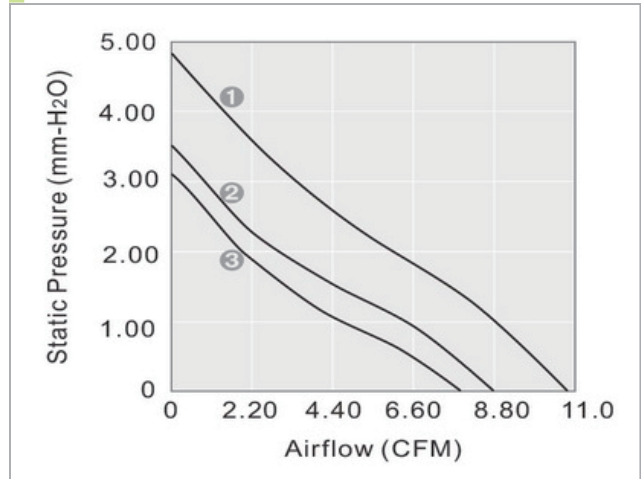
General Specifications

Airflow	8.0~10.3 CFM
Static Pressure	2.5~4.8 mm-H ₂ O
Housing	Plastic Material UL 94V-0 P.B.T.
Blade	Plastic Material UL 94V-0 P.B.T.
Lead Wire	UL1007 #26 AWG

Dimensions:mm



Performance



Specifications

Model NO.	Bearing	Rated Voltage VDC	Operating Voltage Range VDC	Speed RPM	Airflow CFM	Static Pressure mm-H ₂ O	Current mA	Power W	Life at 40 C L10 HOUR	P-Q Curve	Noise dBA	Weight g
GD054510LS	SLEEVE	5	4~5.5	4900	7.6	2.5	150	0.75	30000	3	28.5	17
GD054510MS	SLEEVE	5	4~5.5	5300	8.5	3.0	170	0.85	30000	2	30.5	17
GD054510HS	SLEEVE	5	4~5.5	6300	10.0	4.0	240	1.20	25000	1	35.5	17
GD054510LB	2BALL	5	4~5.5	5100	8.49	3.1	150	0.75	80000	3	29.0	17
GD054510MB	2BALL	5	4~5.5	5500	8.7	3.4	170	0.85	80000	2	31.5	17
GD054510HB	2BALL	5	4~5.5	6500	10.3	4.8	240	1.20	75000	1	37.0	17
GD124510LS	SLEEVE	12	7~13.2	4900	7.6	2.5	90	1.08	30000	3	28.5	17
GD124510MS	SLEEVE	12	7~13.2	5300	8.5	3.0	120	1.44	30000	2	30.5	17
GD124510HS	SLEEVE	12	7~13.2	6300	10.0	4.0	140	1.68	25000	1	35.5	17
GD124510LB	2BALL	12	7~13.2	5100	8.49	3.1	90	1.08	80000	3	29.0	17
GD124510MB	2BALL	12	7~13.2	5500	8.7	3.4	120	1.44	80000	2	31.5	17
GD124510HB	2BALL	12	7~13.2	6500	10.3	4.8	140	1.68	75000	1	37.0	17

GULF ELECTRICS CO., LTD

Latest Product Information: www.gulf.com.tw/en

+886-7-5219966 ; service@gulf.com.tw





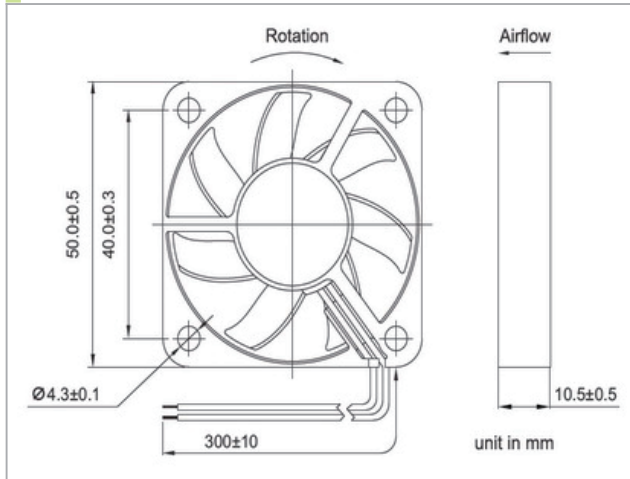
50X50X10mm



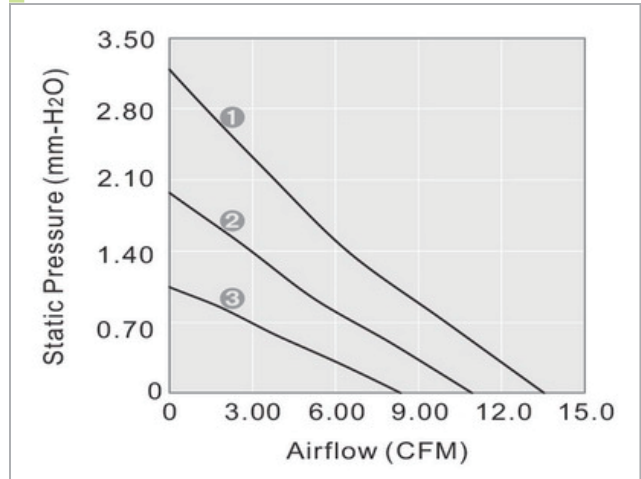
General Specifications

Airflow	8.3~13.5 CFM
Static Pressure	1.0~3.2 mm-H ₂ O
Housing	Plastic Material UL 94V-0 P.B.T.
Blade	Plastic Material UL 94V-0 P.B.T.
Lead Wire	UL1007 #26 AWG

Dimensions:mm



Performance



Specifications

Model NO.	Bearing	Rated Voltage VDC	Operating Voltage Range VDC	Speed RPM	Airflow CFM	Static Pressure mm-H ₂ O	Current mA	Power W	Life at 40°C L10 HOUR	P-Q Curve	Noise dBA	Weight g
GD055010LL-N	Sintetico	5	4~5.5	3500	8.3	1.0	85	0.43	50000	3	21.8	18
GD055010ML-N	Sintetico	5	4~5.5	4500	10.9	2.0	140	0.70	50000	2	27.3	18
GD055010HL-N	Sintetico	5	4~5.5	5500	13.5	3.2	240	1.20	50000	1	31.7	18
GD125010LB-N	2BALL	12	7~13.2	3500	8.3	1.0	60	0.72	80000	3	21.8	18
GD125010MB-N	2BALL	12	7~13.2	4500	10.9	2.0	90	1.08	80000	2	27.3	18
GD125010HB-N	2BALL	12	7~13.2	5500	13.5	3.2	125	1.50	75000	1	31.7	18
GD125010LL-N	Sintetico	12	7~13.2	3500	8.3	1.0	60	0.72	50000	3	21.8	18
GD125010ML-N	Sintetico	12	7~13.2	4500	10.9	2.0	100	1.20	50000	2	27.3	18
GD125010HL-N	Sintetico	12	7~13.2	5500	13.5	3.2	180	2.16	50000	1	31.7	18
GD125010LS-N	SLEEVE	12	7~13.2	3500	8.3	1.0	60	0.72	30000	3	21.8	18
GD125010MS-N	SLEEVE	12	7~13.2	4500	10.9	2.0	90	1.08	30000	2	27.3	18
GD125010HS-N	SLEEVE	12	7~13.2	5500	13.5	3.2	125	1.50	25000	1	31.7	18

GULF ELECTRICS CO., LTD

Latest Product Information: www.gulf.com.tw/en
+886-7-5219966 ; service@gulf.com.tw



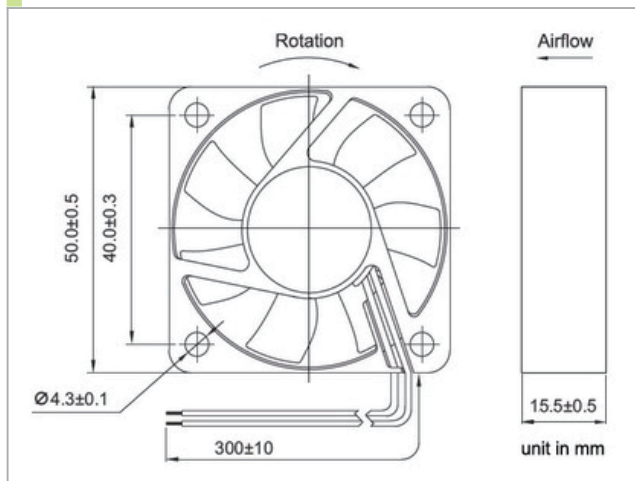
50X50X15mm



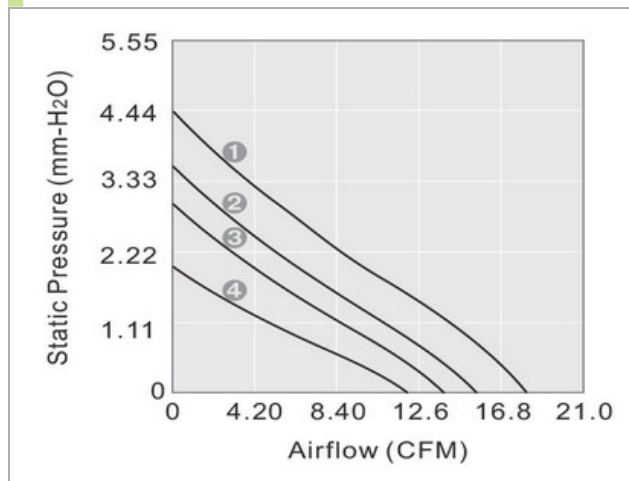
General Specifications

Airflow	12.0~17.1 CFM
Static Pressure	2.0~4.4 mm-H ₂ O
Housing	Plastic Material UL 94V-0 P.B.T.
Blade	Plastic Material UL 94V-0 P.B.T.
Lead Wire	UL1007 #26 AWG

Dimensions:mm



Performance



Specifications

Model NO.	Bearing	Rated Voltage VDC	Operating Voltage Range VDC	Speed RPM	Airflow CFM	Static Pressure mm-H ₂ O	Current mA	Power W	Life at 40 C L10 HOUR	P-Q Curve	Noise dBA	Weight g
GD055015LB	2BALL	5	4~5.5	3800	12.0	2.0	180	0.90	80000	4	24.5	27
GD055015MB	2BALL	5	4~5.5	4500	13.1	3.2	250	1.25	80000	3	29.5	27
GD055015HB	2BALL	5	4~5.5	5000	15.5	3.6	285	1.43	75000	2	31.5	27
GD125015LB	2BALL	12	7~13.2	3800	12.0	2.0	85	1.02	80000	4	24.5	27
GD125015MB	2BALL	12	7~13.2	4500	13.1	3.2	130	1.56	80000	3	30.0	27
GD125015HB	2BALL	12	7~13.2	5000	15.5	3.6	170	2.04	75000	2	31.5	27
GD125015EB	2BALL	12	7~13.2	5500	17.1	4.4	220	2.64	65000	1	36.5	27
GD245015LB	2BALL	24	12~26.4	3800	12.0	2.0	70	1.68	80000	4	24.5	27
GD245015MB	2BALL	24	12~26.4	4500	13.1	3.2	80	1.92	80000	3	30.0	27
GD245015HB	2BALL	24	12~26.4	5000	15.5	3.6	90	2.16	75000	2	31.5	27
GD245015EB	2BALL	24	12~26.4	5500	17.1	4.4	110	2.64	65000	1	36.5	27





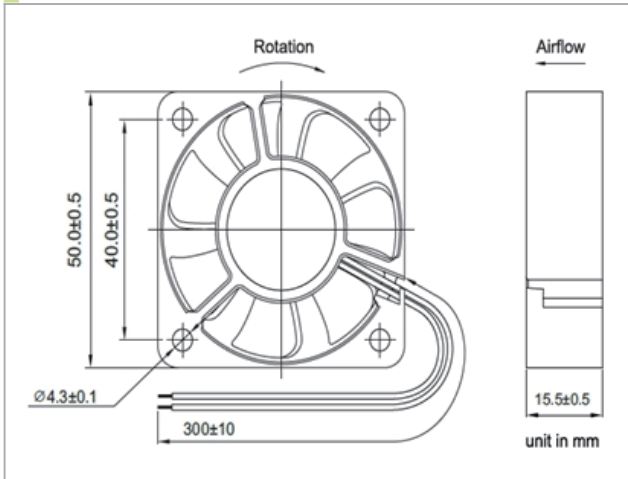
50X50X15mm



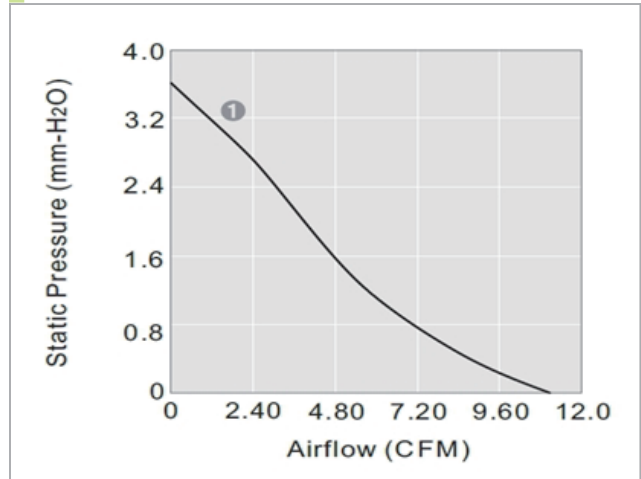
General Specifications

Airflow	11 CFM
Static Pressure	3.6 mm-H ₂ O
Housing	Plastic Material UL 94V-0 P.B.T.
Blade	Plastic Material UL 94V-0 P.B.T.
Lead Wire	UL1569 #26 AWG

Dimensions:mm



Performance



Specifications

Model NO.	Bearing	Rated Voltage VDC	Operating Voltage Range VDC	Speed RPM	Airflow CFM	Static Pressure mm-H ₂ O	Current mA	Power W	Life at 40 C L10 HOUR	P-Q Curve	Noise dBA	Weight g
GD125015HB-N	2BALL	12	9-16.0	5000	11.0	3.6	120	1.44	75000	1	30.4	30.5
GD245015HB-N	2BALL	24	18-30.0	5000	11.0	3.6	35	0.84	75000	1	30.4	30.5

GULF ELECTRICS CO., LTD

Latest Product Information: www.gulf.com.tw/en

+886-7-5219966 ; service@gulf.com.tw





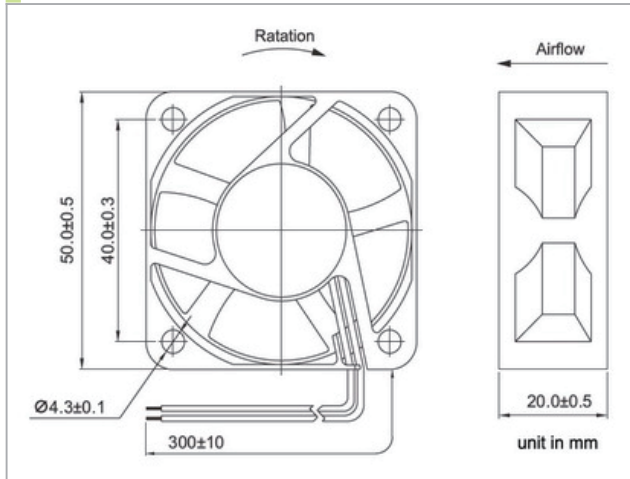
50X50X20mm



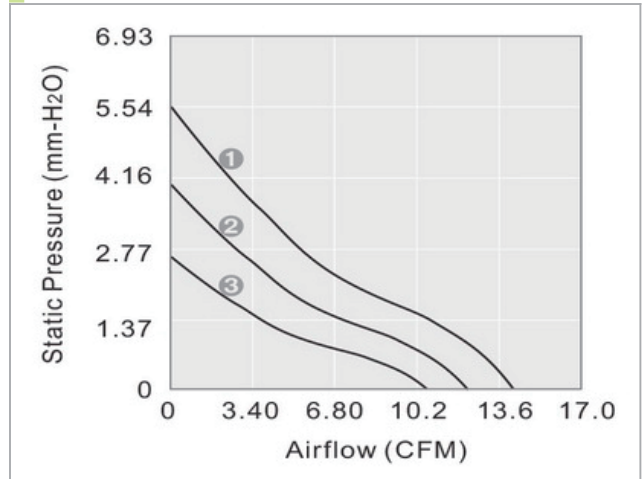
General Specifications

Airflow	8.9~14.0 CFM
Static Pressure	2.1~5.5 mm-H ₂ O
Housing	Plastic Material UL 94V-0 P.B.T.
Blade	Plastic Material UL 94V-0 P.B.T.
Lead Wire	UL1007 #26 AWG

Dimensions:mm



Performance



Specifications

Model NO.	Bearing	Rated Voltage VDC	Operating Voltage Range VDC	Speed RPM	Airflow CFM	Static Pressure mm-H ₂ O	Current mA	Power W	Life at 40°C L10 HOUR	P-Q Curve	Noise dBA	Weight g
GD125020LS	SLEEVE	12	7~13.2	3500	8.9	2.1	60	0.72	30000	3	22.5	36
GD125020MS	SLEEVE	12	7~13.2	4300	11.0	4.0	90	1.08	30000	2	25.0	36
GD125020HS	SLEEVE	12	7~13.2	5300	13.2	4.7	110	1.32	25000	1	30.0	36
GD125020LL	Sintetico	12	7~13.2	3500	8.9	2.1	75	0.90	50000	3	22.5	36
GD125020ML	Sintetico	12	7~13.2	4300	11.0	4.0	100	1.20	50000	2	25.0	36
GD125020HL	Sintetico	12	7~13.2	5300	13.2	4.7	130	1.56	50000	1	30.0	36
GD125020LB	2BALL	12	7~13.2	3900	10.0	2.5	60	0.72	80000	3	23.5	36
GD125020MB	2BALL	12	7~13.2	4800	12.2	4.0	90	1.08	80000	2	28.0	36
GD125020HB	2BALL	12	7~13.2	5600	14.0	5.5	110	1.32	75000	1	32.5	36

GULF ELECTRICS CO., LTD

Latest Product Information: www.gulf.com.tw/en

+886-7-5219966 ; service@gulf.com.tw





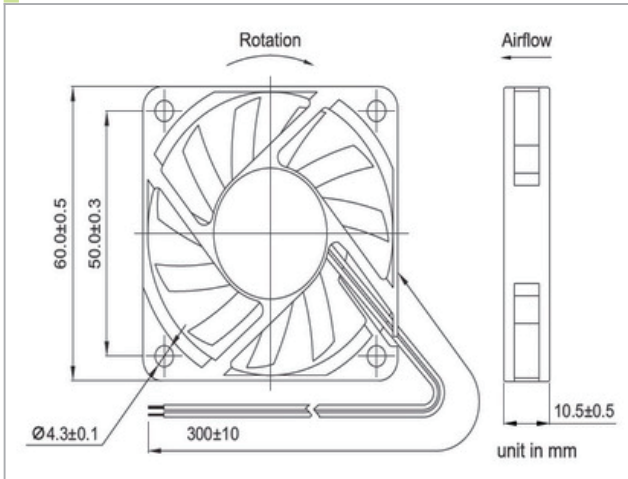
60X60X10mm



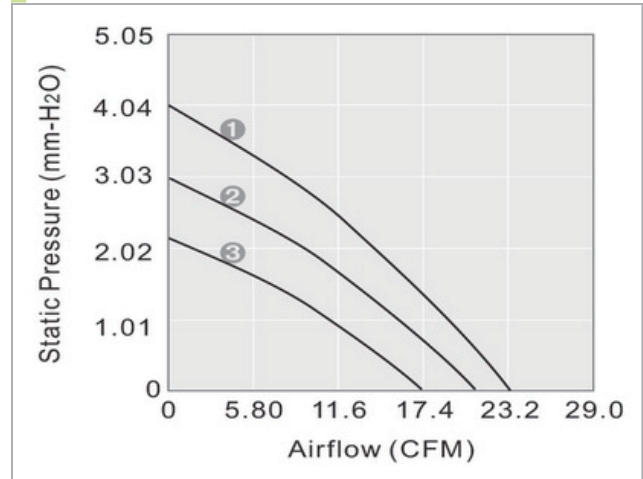
General Specifications

Airflow	17.3~23.3 CFM
Static Pressure	2.1~4.0 mm-H ₂ O
Housing	Plastic Material UL 94V-0 P.B.T.
Blade	Plastic Material UL 94V-0 P.B.T.
Lead Wire	UL1007 #26 AWG

Dimensions:mm



Performance



Specifications

Model NO.	Bearing	Rated Voltage VDC	Operating Voltage Range VDC	Speed RPM	Airflow CFM	Static Pressure mm-H ₂ O	Current mA	Power W	Life at 40 C L10 HOUR	P-Q Curve	Noise dBA	Weight g
GD056010LB	2BALL	5	4~5.5	3800	17.3	2.1	260	1.30	80000	3	33.0	26
GD126010LB	2BALL	12	7~13.2	3800	17.3	2.1	140	1.68	80000	3	33.0	26
GD126010MB	2BALL	12	7~13.2	4500	21.0	3.0	170	2.04	80000	2	38.0	26
GD126010HB	2BALL	12	7~13.2	5200	23.3	4.0	240	2.88	75000	1	41.0	26
GD126010HL	Sintetico	12	7~13.2	5200	23.3	4.0	175	2.10	50000	1	41.0	26
GD126010LS	SLEEVE	12	7~13.2	3800	17.3	2.1	140	1.68	30000	3	37.5	26
GD126010MS	SLEEVE	12	7~13.2	4500	21.0	3.0	170	2.04	30000	2	38.0	26
GD126010HS	SLEEVE	12	7~13.2	5200	23.3	4.0	240	2.88	25000	1	41.0	26

GULF ELECTRICS CO., LTD

Latest Product Information: www.gulf.com.tw/en

+886-7-5219966 ; service@gulf.com.tw





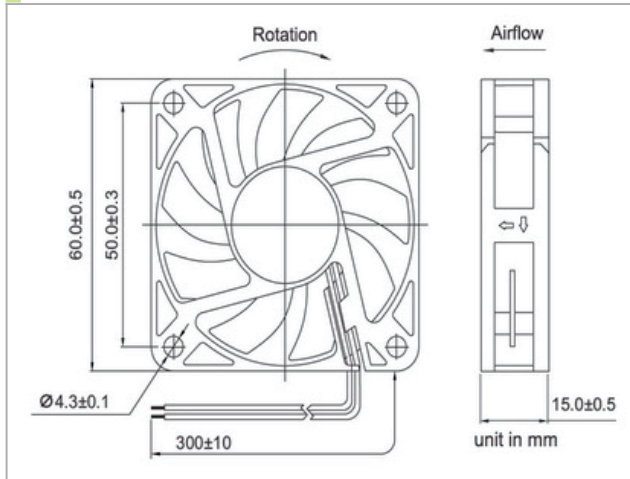
60X60X15mm



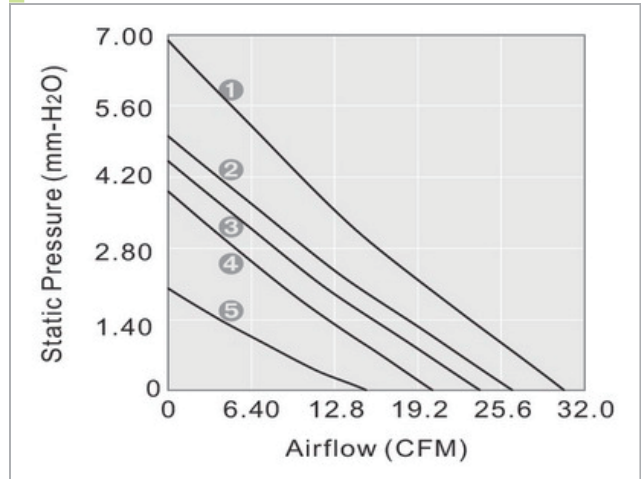
General Specifications

Airflow	15.1~30.4 CFM
Static Pressure	2.0~6.9 mm-H ₂ O
Housing	Plastic Material UL 94V-0 P.B.T.
Blade	Plastic Material UL 94V-0 P.B.T.
Lead Wire	UL1007 #26 AWG

Dimensions:mm



Performance



Specifications

Model NO.	Bearing	Rated Voltage VDC	Operating Voltage Range VDC	Speed RPM	Airflow CFM	Static Pressure mm-H ₂ O	Current mA	Power W	Life at 40 C L10 HOUR	P-Q Curve	Noise dBA	Weight g
GD056015LS	SLEEVE	5	4~5.5	3000	14.3	1.7	110	0.55	30000	5	24.0	26
GD056015MS	SLEEVE	5	4~5.5	3900	19.8	3.7	210	1.05	30000	4	33.5	26
GD056015HS	SLEEVE	5	4~5.5	4700	23.9	4.5	320	1.60	25000	3	38.0	26
GD126015LB	2BALL	12	7~13.2	3200	15.2	2.0	100	1.20	80000	5	25.0	26
GD126015MB	2BALL	12	7~13.2	4000	20.3	3.9	160	1.92	80000	4	34.0	26
GD126015HB	2BALL	12	7~13.2	4700	23.9	4.5	220	2.64	75000	3	38.0	26
GD126015EB	2BALL	12	7~13.2	5200	26.0	5.0	270	3.24	65000	2	40.0	26
GD126015EB	2BALL	12	7~13.2	6000	30.4	6.9	400	4.8	65000	1	43.0	26
GD126015LS	SLEEVE	12	7~13.2	3000	14.3	1.7	80	0.96	30000	5	24.0	26
GD126015MS	SLEEVE	12	7~13.2	3800	19.3	3.5	140	1.68	30000	4	33.0	26
GD126015HS	SLEEVE	12	7~13.2	4700	23.9	4.5	220	2.64	25000	3	38.0	26
GD126015ES	SLEEVE	12	7~13.2	5000	25.4	4.6	250	3.00	20000	2	39.0	26
GD246015LB	2BALL	24	12~26.4	3200	15.2	2.0	70	1.68	80000	5	25.0	26
GD246015MB	2BALL	24	12~26.4	4000	20.3	3.9	110	2.64	80000	4	34.0	26
GD246015HB	2BALL	24	12~26.4	4700	23.9	4.5	145	3.48	75000	3	38.0	26
GD246015EB	2BALL	24	12~26.4	5200	26.0	5.0	180	4.32	65000	2	40.0	26
GD246015LS	SLEEVE	24	12~26.4	3000	14.3	1.7	90	2.16	30000	5	24.0	26
GD246015MS	SLEEVE	24	12~26.4	3800	19.3	3.5	110	2.64	30000	4	32.8	26
GD246015HS	SLEEVE	24	12~26.4	4500	23.6	3.9	120	2.88	25000	3	34.8	26
GD246015ES	SLEEVE	24	12~26.4	5000	25.4	4.6	180	4.32	20000	2	39.0	26

GULF ELECTRICS CO., LTD

Latest Product Information: www.gulf.com.tw/en
+886-7-5219966 ; service@gulf.com.tw





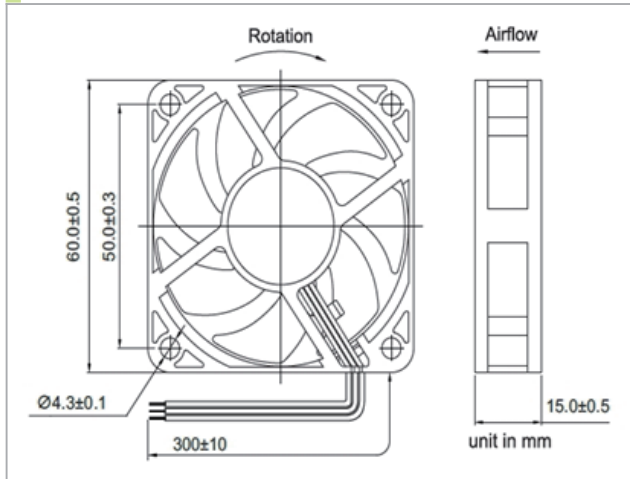
60X60X15mm



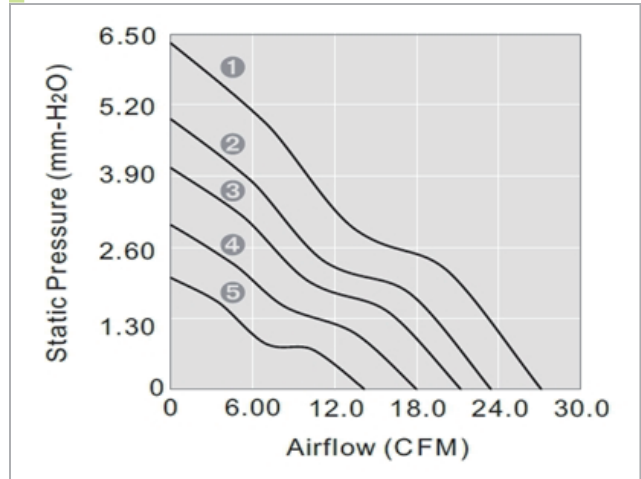
General Specifications

Airflow	14.1~27.0 CFM
Static Pressure	2.0~6.5 mm-H ₂ O
Housing	Plastic Material UL 94V-0 P.B.T.
Blade	Plastic Material UL 94V-0 P.B.T.
Lead Wire	UL1007 #26 AWG

Dimensions:mm



Performance



Specifications

Model NO.	Bearing	Rated Voltage VDC	Operating Voltage Range VDC	Speed RPM	Airflow CFM	Static Pressure mm-H ₂ O	Current mA	Power W	Life at 40°C L10 HOUR	P-Q Curve	Noise dBA	Weight g
GD056015LL-N	Sintetico	5	4~5.5	3300	14.1	2.0	130	0.65	50000	5	22.0	33.5
GD056015ML-N	Sintetico	5	4~5.5	4100	18.0	3.0	200	1.00	50000	4	28.4	33.5
GD056015HL-N	Sintetico	5	4~5.5	4800	20.9	3.9	360	1.80	50000	3	33.0	33.5
GD126015LB-N	2BALL	12	7~13.2	3300	14.1	2.0	55	0.66	80000	5	22.0	33.5
GD126015MB-N	2BALL	12	7~13.2	4100	18.0	3.0	100	1.20	80000	4	28.4	33.5
GD126015HB-N	2BALL	12	7~13.2	4800	20.9	3.9	130	1.56	75000	3	33.0	33.5
GD126015EB-N	2BALL	12	7~13.2	5300	23.5	5.0	150	1.80	65000	2	35.0	33.5
GD126015EB-N	2BALL	12	7~13.2	6100	27.0	6.5	230	2.76	65000	1	38.0	33.5
GD126015LL-N	Sintetico	12	7~13.2	3300	14.1	2.0	70	0.84	50000	5	22.0	33.5
GD126015ML-N	Sintetico	12	7~13.2	4100	18.0	3.0	100	1.20	50000	4	28.4	33.5
GD126015HL-N	Sintetico	12	7~13.2	4800	20.9	3.9	130	1.56	50000	3	33.0	33.5
GD126015EL-N	Sintetico	12	7~13.2	5300	23.5	5.0	150	1.80	50000	2	35.0	33.5
GD126015EL-N	Sintetico	12	7~13.2	6100	27.0	6.5	260	3.12	50000	1	38.0	33.5
GD246015LB-N	2BALL	24	12~26.4	3300	14.1	2.0	25	0.60	80000	5	22.0	33.5
GD246015MB-N	Sintetico	24	12~26.4	4100	18.0	3.0	40	0.96	80000	4	28.4	33.5
GD246015HB-N	2BALL	24	12~26.4	4800	20.9	3.9	55	1.32	75000	3	33.0	33.5
GD246015EB-N	2BALL	24	12~26.4	5300	23.5	5.0	70	1.68	65000	2	35.0	33.5
GD246015LL-N	Sintetico	24	12~26.4	3300	14.1	2.0	25	0.60	50000	5	22.0	33.5
GD246015ML-N	Sintetico	24	12~26.4	4100	18.0	3.0	40	0.96	50000	4	28.4	33.5
GD246015HL-N	Sintetico	24	12~26.4	4800	20.9	3.9	55	1.32	50000	3	33.0	33.5
GD246015EL-N	Sintetico	24	12~26.4	5300	23.5	5.0	70	1.68	50000	2	35.0	33.5

GULF ELECTRICS CO., LTD

Latest Product Information: www.gulf.com.tw/en
+886-7-5219966 ; service@gulf.com.tw





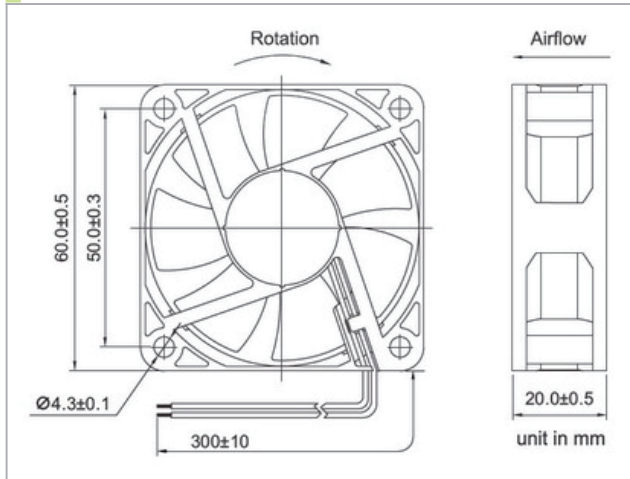
60X60X20mm



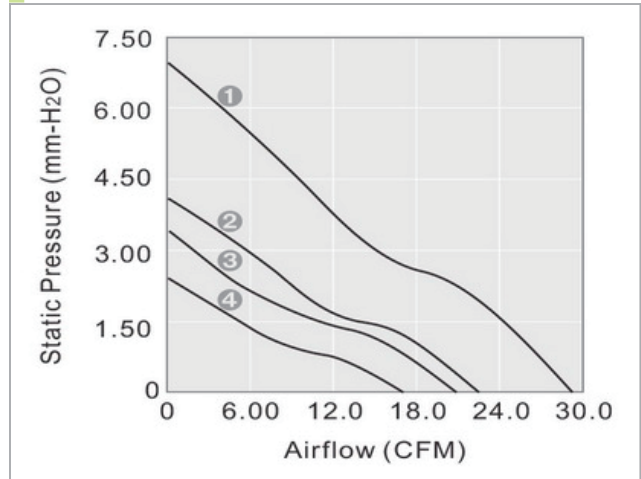
General Specifications

Airflow	17.0~29.1 CFM
Static Pressure	2.4~7.0 mm-H ₂ O
Housing	Plastic Material UL 94V-0 P.B.T.
Blade	Plastic Material UL 94V-0 P.B.T.
Lead Wire	UL1007 #26 AWG

Dimensions:mm



Performance



Specifications

Model NO.	Bearing	Rated Voltage VDC	Operating Voltage Range VDC	Speed RPM	Airflow CFM	Static Pressure mm-H ₂ O	Current mA	Power W	Life at 40 C L10 HOUR	P-Q Curve	Noise dBA	Weight g
GD126020LB	2BALL	12	7~13.2	3000	17.0	2.4	80	0.96	80000	4	26.0	44
GD126020MB	2BALL	12	7~13.2	3600	20.0	3.4	110	1.32	80000	3	30.0	44
GD126020HB	2BALL	12	7~13.2	4200	22.9	4.4	160	1.92	75000	2	35.0	44
GD126020EB	2BALL	12	7~13.2	5300	29.1	7.0	280	3.36	65000	1	41.0	44
GD126020LS	SLEEVE	12	7~13.2	2800	15.2	2.0	80	0.96	30000	4	25.0	44
GD126020MS	SLEEVE	12	7~13.2	3400	18.0	2.7	110	1.32	30000	3	28.0	44
GD126020HS	SLEEVE	12	7~13.2	4000	21.8	4.0	160	1.92	25000	2	35.0	44
GD126020ES	SLEEVE	12	7~13.2	5300	29.2	7.0	250	3.00	25000	1	41.0	44
GD246020LB	2BALL	24	12~26.4	3000	17.0	2.4	40	0.96	80000	4	26.0	44
GD246020MB	2BALL	24	12~26.4	3600	20.0	3.4	70	1.68	80000	3	30.0	44
GD246020HB	2BALL	24	12~26.4	4200	22.9	4.4	80	1.92	75000	2	35.0	44
GD246020MS	SLEEVE	24	12~26.4	3400	18.0	2.7	70	1.68	30000	3	28.0	44
GD246020HS	SLEEVE	24	12~26.4	4000	21.8	4.0	80	1.92	25000	2	35.0	44

GULF ELECTRICS CO., LTD

Latest Product Information: www.gulf.com.tw/en

+886-7-5219966 ; service@gulf.com.tw





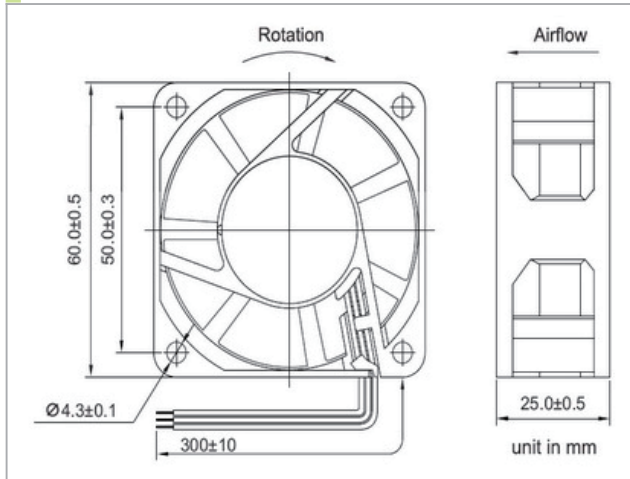
60X60X25mm



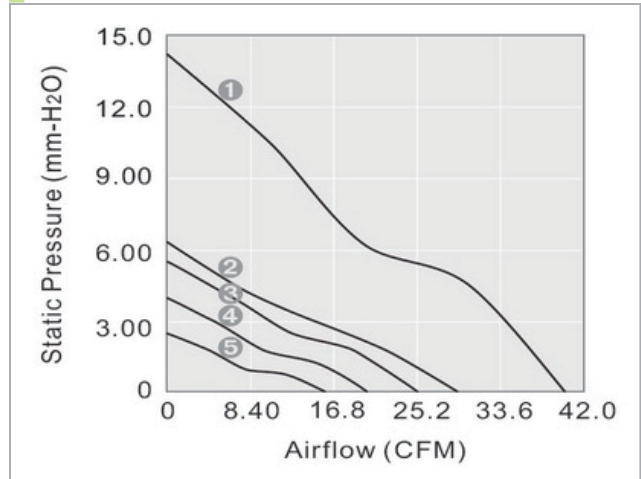
General Specifications

Airflow	15.8~40.1 CFM
Static Pressure	2.4~14.2 mm-H ₂ O
Blade	Plastic Material UL 94V-0 P.B.T.
Frame	Plastic Material UL 94V-0 P.B.T.
Lead Wire	UL1007 #24 AWG

Dimensions:mm



Performance



Specifications

Model NO.	Bearing	Rated Voltage VDC	Operating Voltage Range VDC	Speed RPM	Airflow CFM	Static Pressure mm-H ₂ O	Current mA	Power W	Life at 40 C L10 HOUR	P-Q Curve	Noise dBA	Weight g
GD126025LB	2BALL	12	7~13.2	2800	15.8	2.4	80	0.96	80000	5	23.5	56
GD126025MB	2BALL	12	7~13.2	3700	20.0	3.8	120	1.44	80000	4	29.5	56
GD126025HB	2BALL	12	7~13.2	4300	25.4	5.5	150	1.80	75000	3	34.0	56
GD126025EB	2BALL	12	7~13.2	5200	29.3	6.3	210	2.52	65000	2	40.5	56
GD126025EB	2BALL	12	7~13.2	6800	40.1	14.2	330	3.96	65000	1	48.0	56
GD246025LB	2BALL	24	12~26.4	2800	15.8	2.4	50	1.20	80000	5	23.5	56
GD246025MB	2BALL	24	12~26.4	3700	20.0	3.8	70	1.68	80000	4	29.5	56
GD246025HB	2BALL	24	12~26.4	4300	25.4	5.5	90	2.16	75000	3	34.0	56
GD246025EB	2BALL	24	12~26.4	5200	29.3	6.3	110	2.64	65000	2	40.5	56
GD246025EB	2BALL	24	12~26.4	6800	40.1	14.2	210	5.04	65000	1	48.0	56
GD486025LB	2BALL	48	24~56.0	2800	15.8	2.4	30	1.44	80000	5	23.5	56
GD486025MB	2BALL	48	24~56.0	3700	20.0	3.8	45	2.16	80000	4	29.5	56
GD486025HB	2BALL	48	24~56.0	4300	25.4	5.5	50	2.40	75000	3	34.0	56
GD486025EB	2BALL	48	24~56.0	5200	29.3	6.3	80	3.84	65000	2	40.5	56

GULF ELECTRICS CO., LTD

Latest Product Information: www.gulf.com.tw/en
+886-7-5219966 ; service@gulf.com.tw





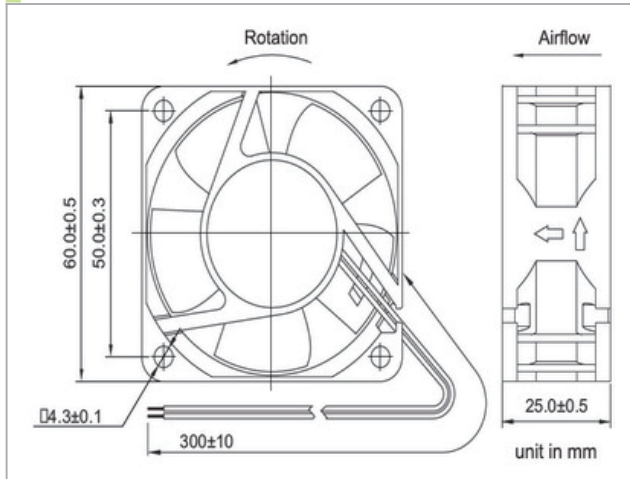
60X60X25mm



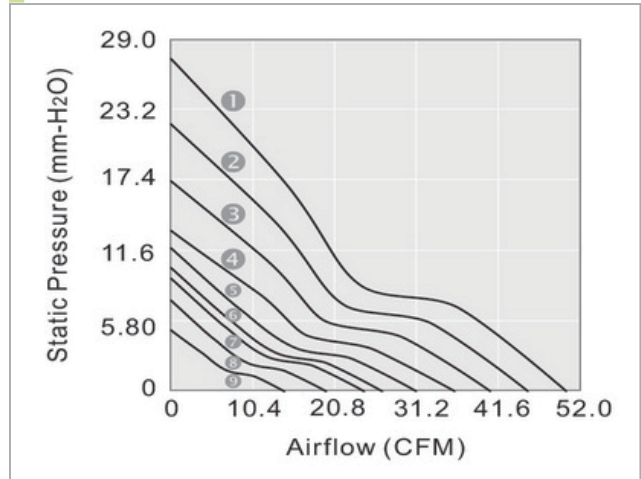
General Specifications

Airflow	14.4~50.2 CFM
Static Pressure	5.0~27.6 mm-H ₂ O
Housing	Plastic Material UL 94V-0 P.B.T.
Blade	Plastic Material UL 94V-0 P.B.T.
Lead Wire	UL1007 #24 AWG

Dimensions:mm



Performance



Specifications

Model NO.	Bearing	Rated Voltage	Operating Voltage Range	Speed RPM	Airflow CFM	Static Pressure mm-H ₂ O	Current mA	Power W	Life at 40°C L10 HOUR	P-Q Curve	Noise dBA	Weight g
		VDC	VDC									
GD126025LB-W	2BALL	12	7~13.2	3000	14.4	5.0	50	0.60	80000	9	25.0	56
GD126025MB-W	2BALL	12	7~13.2	4100	19.7	7.5	80	0.96	80000	8	31.0	56
GD126025HB-W	2BALL	12	7~13.2	5100	24.5	9.3	120	1.44	75000	7	36.0	56
GD126025EB-W	2BALL	12	7~13.2	5600	26.9	10.2	150	1.80	65000	6	38.1	56
GD126025EB-W	2BALL	12	7~13.2	6500	31.2	11.8	190	2.28	65000	5	41.0	56
GD126025UB-W	2BALL	12	7~13.2	7500	35.9	13.2	300	3.60	65000	4	44.5	56
GD126025UB-W	2BALL	12	7~13.2	8500	40.6	17.4	420	5.04	65000	3	47.0	56
GD126025UB-W	2BALL	12	7~13.2	9500	45.4	22.2	630	7.56	65000	2	49.5	56
GD126025UB-W	2BALL	12	7~13.2	10500	50.2	27.6	900	10.80	65000	1	51.5	56
GD246025LB-W	2BALL	24	12~26.4	3000	14.4	5.0	35	0.84	80000	9	25.0	56
GD246025MB-W	2BALL	24	12~26.4	4100	19.7	7.5	55	1.32	80000	8	31.0	56
GD246025HB-W	2BALL	24	12~26.4	5100	24.5	9.3	75	1.80	75000	7	36.0	56
GD246025EB-W	2BALL	24	12~26.4	6500	31.2	11.8	110	2.64	65000	5	41.0	56
GD246025UB-W	2BALL	24	12~26.4	10500	50.2	27.6	410	9.84	65000	1	51.5	56
GD486025LB-W	2BALL	48	24~56.0	3000	14.4	5.0	30	1.44	80000	9	25.0	56
GD486025MB-W	2BALL	48	24~56.0	4100	19.7	7.5	40	1.92	80000	8	31.0	56
GD486025HB-W	2BALL	48	24~56.0	5100	24.5	9.3	55	2.64	75000	7	36.0	56
GD486025EB-W	2BALL	48	24~56.0	6800	32.7	12.4	80	3.84	65000	5	42.0	56
GD486025UB-W	2BALL	48	24~56.0	10500	50.2	27.6	240	11.52	65000	1	51.5	56

GULF ELECTRICS CO., LTD

Latest Product Information: www.gulf.com.tw/en

+886-7-5219966 ; service@gulf.com.tw





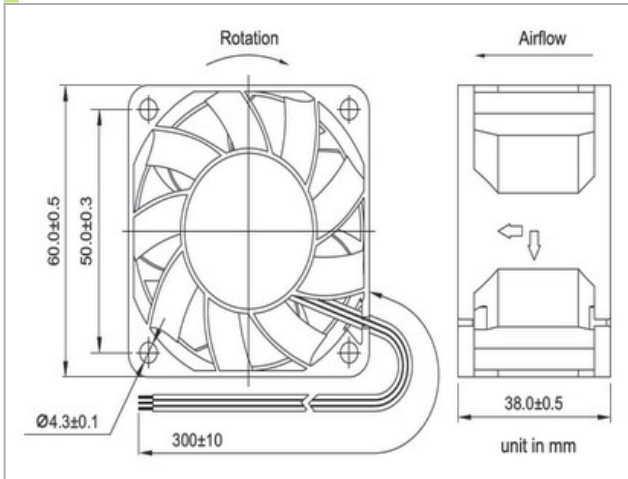
60X60X38mm



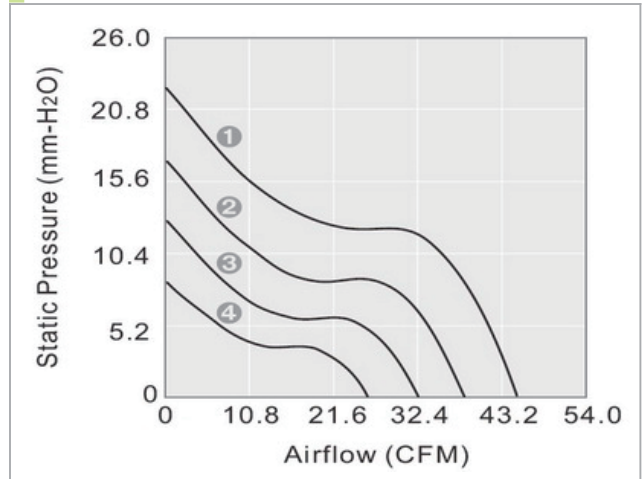
General Specifications

Airflow	26.7~45.5 CFM
Static Pressure	8.1~22.9 mm-H ₂ O
Housing	Plastic Material UL 94V-0 P.B.T.
Blade	Plastic Material UL 94V-0 P.B.T.
Lead Wire	UL1007 #24 AWG

Dimensions:mm



Performance



Specifications

Model NO.	Bearing	Rated Voltage VDC	Operating Voltage Range VDC	Speed RPM	Airflow CFM	Static Pressure mm-H ₂ O	Current mA	Power W	Life at 40 C L10 HOUR	P-Q Curve	Noise dBA	Weight g
GD126038LB-P	2BALL	12	7~13.2	4500	26.7	8.1	190	2.28	80000	4	41.0	115.6
GD126038MB-P	2BALL	12	7~13.2	5500	32.6	12.2	260	3.12	80000	3	47.0	115.6
GD126038HB-P	2BALL	12	7~13.2	6500	38.5	16.5	450	5.40	75000	2	51.0	115.6
GD126038EB-P	2BALL	12	7~13.2	7500	45.5	22.9	720	8.64	65000	1	55.0	115.6
GD246038LB-P	2BALL	24	12~26.4	4500	26.7	8.1	110	2.64	80000	4	41.0	115.6
GD246038MB-P	2BALL	24	12~26.4	5500	32.6	12.2	170	4.08	80000	3	47.0	115.6
GD246038HB-P	2BALL	24	12~26.4	6500	38.5	16.5	250	6.00	75000	2	51.0	115.6
GD246038EB-P	2BALL	24	12~26.4	7500	45.5	22.9	360	8.64	65000	1	55.0	115.6
GD486038LB-P	2BALL	48	24~56.0	4500	26.7	8.1	70	3.36	80000	4	41.0	115.6
GD486038MB-P	2BALL	48	24~56.0	5500	32.6	12.2	90	4.32	80000	3	47.0	115.6
GD486038HB-P	2BALL	48	24~56.0	6500	38.5	16.5	130	6.24	75000	2	51.0	115.6
GD486038EB-P	2BALL	48	24~56.0	7500	45.5	22.9	190	9.12	65000	1	55.0	115.6

GULF ELECTRICS CO., LTD

Latest Product Information: www.gulf.com.tw/en

+886-7-5219966 ; service@gulf.com.tw





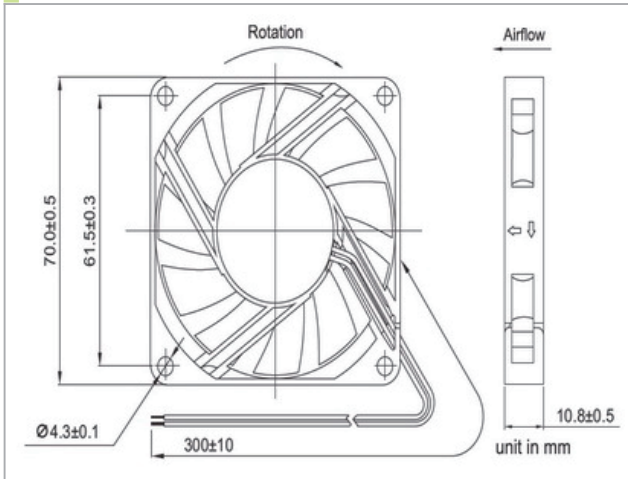
70X70X10mm



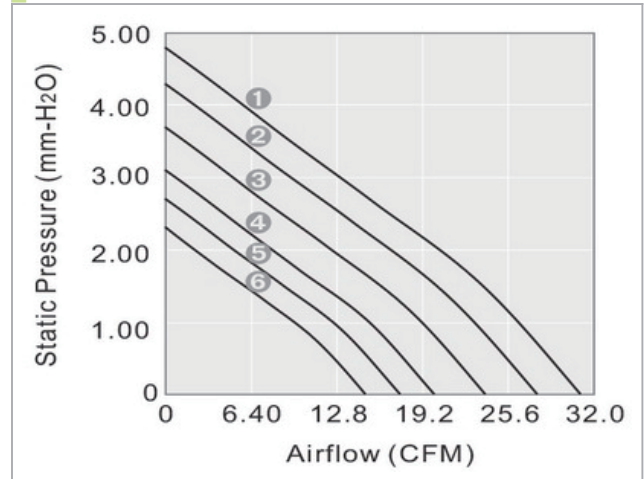
General Specifications

Airflow	14.9~31.0 CFM
Static Pressure	2.3~4.8 mm-H ₂ O
Housing	Plastic Material UL 94V-0 P.B.T.
Blade	Plastic Material UL 94V-0 P.B.T.
Lead Wire	UL1007 #26 AWG

Dimensions:mm



Performance



Specifications

Model NO.	Bearing	Rated Voltage VDC	Operating Voltage Range VDC	Speed RPM	Airflow CFM	Static Pressure mm-H ₂ O	Current mA	Power W	Life at 40°C L10 HOUR	P-Q Curve	Noise dBA	Weight g
GD057010LB-H	2BALL	5	4~5.5	2300	14.9	2.3	160	0.80	80000	6	20.5	35
GD057010MB-H	2BALL	5	4~5.5	2700	17.5	2.7	200	1.00	80000	5	24.0	35
GD057010HB-H	2BALL	5	4~5.5	3100	20.1	3.1	270	1.35	75000	4	27.0	35
GD127010LB-H	2BALL	12	7~13.2	3700	23.9	3.7	130	1.56	80000	3	31.0	35
GD127010MB-H	2BALL	12	7~13.2	4300	27.8	4.3	170	2.04	80000	2	34.5	35
GD127010HB-H	2BALL	12	7~13.2	4800	31.0	4.8	250	3.00	75000	1	37.0	35

GULF ELECTRICS CO., LTD

Latest Product Information: www.gulf.com.tw/en

+886-7-5219966 ; service@gulf.com.tw





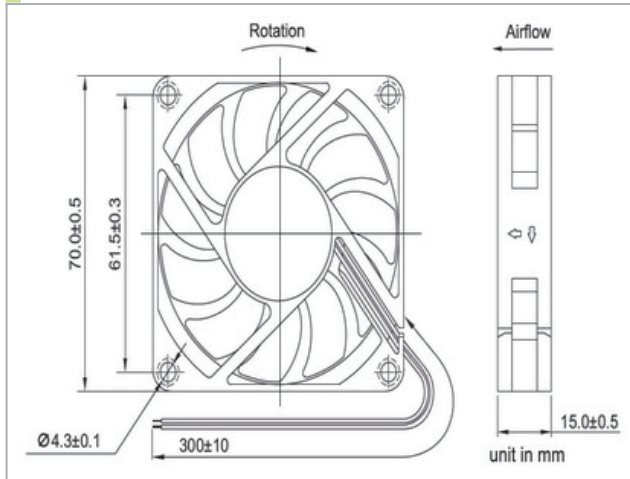
70X70X15mm



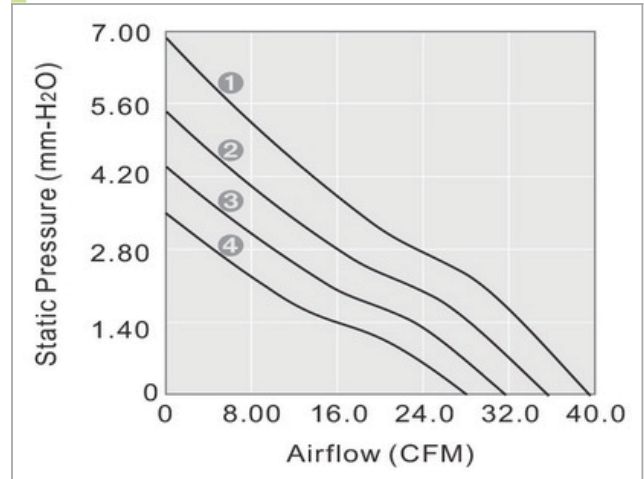
General Specifications

Airflow	27.9~39.5 CFM
Static Pressure	3.5~6.8 mm-H ₂ O
Housing	Plastic Material UL 94V-0 P.B.T.
Blade	Plastic Material UL 94V-0 P.B.T.
Lead Wire	UL1007 #26 AWG

Dimensions:mm



Performance



Specifications

Model NO.	Bearing	Rated Voltage VDC	Operating Voltage Range VDC	Speed RPM	Airflow CFM	Static Pressure mm-H ₂ O	Current mA	Power W	Life at 40 C L10 HOUR	P-Q Curve	Noise dBA	Weight g
GD127015LB	2BALL	12	7~13.2	3800	27.9	3.5	130	1.56	80000	4	34.0	54
GD127015MB	2BALL	12	7~13.2	4300	31.6	4.4	190	2.28	80000	3	39.0	54
GD127015HB	2BALL	12	7~13.2	4800	35.3	5.4	260	3.12	75000	2	41.5	54
GD127015EB	2BALL	12	7~13.2	5500	39.5	6.8	400	4.80	65000	1	45.5	54
GD127015LS	SLEEVE	12	7~13.2	3800	27.9	3.5	160	1.86	30000	4	34.0	54
GD127015MS	SLEEVE	12	7~13.2	4300	31.6	4.4	220	2.64	30000	3	39.0	54
GD127015HS	SLEEVE	12	7~13.2	4800	35.3	5.4	280	3.36	25000	2	41.5	54

GULF ELECTRICS CO., LTD

Latest Product Information: www.gulf.com.tw/en
+886-7-5219966 ; service@gulf.com.tw





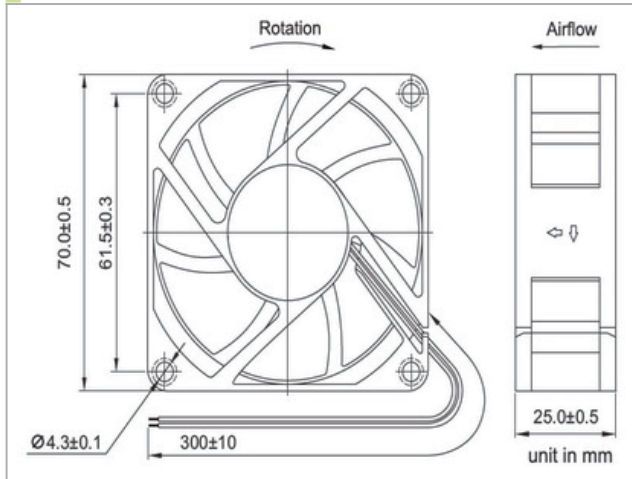
70X70X25mm



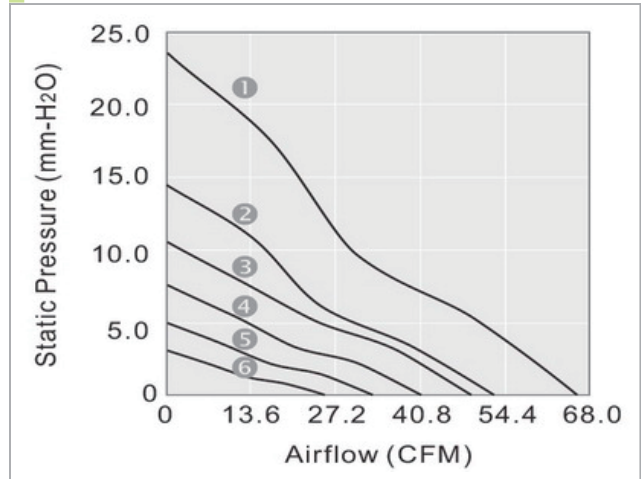
General Specifications

Airflow	25.0~49.0 CFM
Static Pressure	3.0~10.06 mm-H ₂ O
Housing	Plastic Material UL 94V-0 P.B.T.
Blade	Plastic Material UL 94V-0 P.B.T.
Lead Wire	UL1007 #24 AWG

Dimensions:mm



Performance



Specifications

Model NO.	Bearing	Rated Voltage	Operating Voltage Range	Speed RPM	Airflow CFM	Static Pressure mm-H ₂ O	Current mA	Power W	Life at 40 C L10 HOUR	P-Q Curve	Noise dBA	Weight g
		VDC	VDC									
GD127025LB	2BALL	12	7~13.2	3000	25.8	3.1	90	1.08	80000	4	29.0	82
GD127025MB	2BALL	12	7~13.2	4000	33.1	5.0	170	2.04	80000	3	34.5	82
GD127025HB	2BALL	12	7~13.2	5000	40.5	7.2	300	3.60	75000	2	41.0	82
GD127025EB	2BALL	12	7~13.2	6000	49.0	10.6	400	4.80	65000	1	47.0	82
GD127025UB	2BALL	12	7~13.2	8200	66.3	23.6	700	8.40	65000	1	55.0	82
GD127025LL	Sintetico	12	7~13.2	3000	25.8	3.1	70	0.84	50000	4	29.0	82
GD127025ML	Sintetico	12	7~13.2	4000	33.1	5.0	125	1.50	50000	3	34.5	82
GD127025HL	Sintetico	12	7~13.2	5000	40.9	7.6	210	2.52	50000	2	41.0	82
GD127025EL	Sintetico	12	7~13.2	6500	52.7	14.5	460	5.52	65000	1	49.7	82
GD127025LS	SLEEVE	12	7~13.2	2900	24.9	3.0	110	1.32	30000	4	28.0	82
GD127025MS	SLEEVE	12	7~13.2	3900	33.0	4.9	210	2.52	30000	3	33.5	82
GD127025HS	SLEEVE	12	7~13.2	4900	36.7	7.1	300	3.60	25000	2	40.0	82
GD127025ES	SLEEVE	12	7~13.2	5900	48.1	10.2	400	4.80	20000	1	46.0	82
GD247025LB	2BALL	24	12~26.4	3000	25.8	3.1	50	1.20	80000	4	29.0	82
GD247025MB	2BALL	24	12~26.4	3900	33.3	5.0	75	1.80	80000	3	33.5	82
GD247025HB	2BALL	24	12~26.4	5000	40.5	7.6	140	3.36	75000	2	41.0	82
GD247025EB	2BALL	24	12~26.4	6000	49.0	10.6	320	7.68	65000	1	47.0	82
GD247025LS	SLEEVE	24	12~26.4	3000	25.8	3.1	65	1.56	30000	4	29.0	82
GD247025MS	SLEEVE	24	12~26.4	4000	33.1	5.0	120	2.88	30000	3	34.5	82
GD247025HS	SLEEVE	24	12~26.4	5000	40.9	7.6	180	4.32	25000	2	41.0	82
GD247025ES	SLEEVE	24	12~26.4	6000	49.0	10.6	320	7.68	20000	1	47.0	82

GULF ELECTRICS CO., LTD

Latest Product Information: www.gulf.com.tw/en
+886-7-5219966 ; service@gulf.com.tw





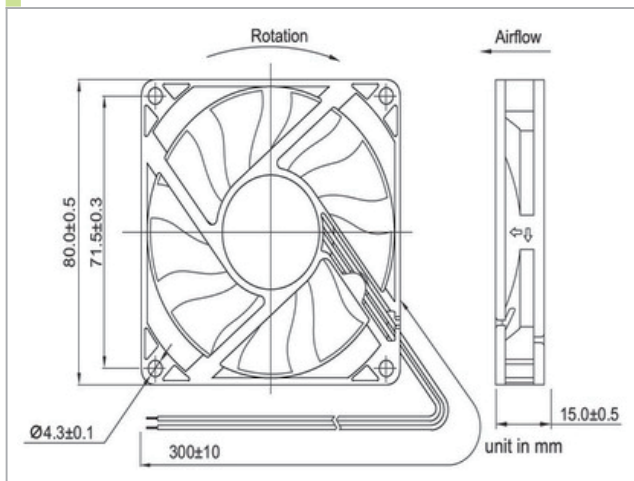
80X80X15mm



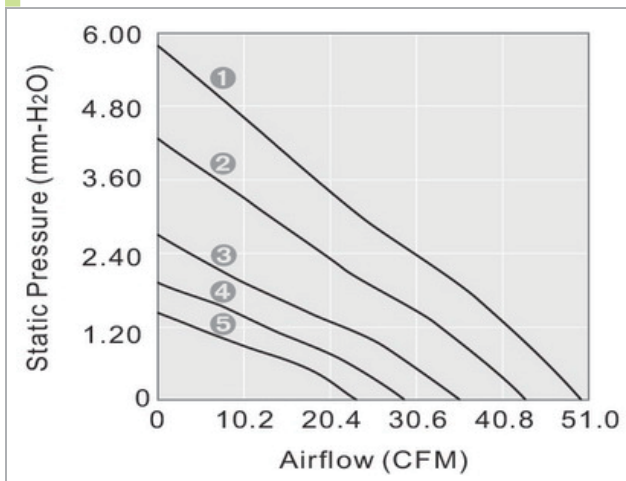
General Specifications

Airflow	23.5~50.2 CFM
Static Pressure	1.4~5.8 mm-H ₂ O
Housing	Plastic Material UL 94V-0 P.B.T.
Blade	Plastic Material UL 94V-0 P.B.T.
Lead Wire	UL1007 #26 AWG

Dimensions:mm



Performance



Specifications

Model NO.	Bearing	Rated Voltage VDC	Operating Voltage Range VDC	Speed RPM	Airflow CFM	Static Pressure mm-H ₂ O	Current mA	Power W	Life at 40°C L10 HOUR	P-Q Curve	Noise dBA	Weight g
GD128015LB	2BALL	12	7~13.2	2100	23.5	1.4	70	0.84	80000	5	19.0	50
GD128015MB	2BALL	12	7~13.2	2600	29.1	1.9	100	1.20	80000	4	27.0	50
GD128015HB	2BALL	12	7~13.2	3200	35.8	2.7	190	2.28	75000	3	33.0	50
GD128015EB	2BALL	12	7~13.2	3900	43.6	4.3	250	3.00	65000	2	38.5	50
GD128015EB	2BALL	12	7~13.2	4500	50.2	5.8	380	4.56	65000	1	42.0	50
GD128015LL	Sintetico	12	7~13.2	2100	23.5	1.4	90	1.08	50000	5	19.0	50
GD128015ML	Sintetico	12	7~13.2	2600	29.1	1.9	140	1.68	50000	4	27.0	50
GD128015HL	Sintetico	12	7~13.2	3200	35.8	2.7	250	3.00	50000	3	30.5	50
GD128015EL	Sintetico	12	7~13.2	3900	43.6	4.3	330	3.96	50000	2	35.0	50

GULF ELECTRICS CO., LTD

Latest Product Information: www.gulf.com.tw/en
+886-7-5219966 ; service@gulf.com.tw





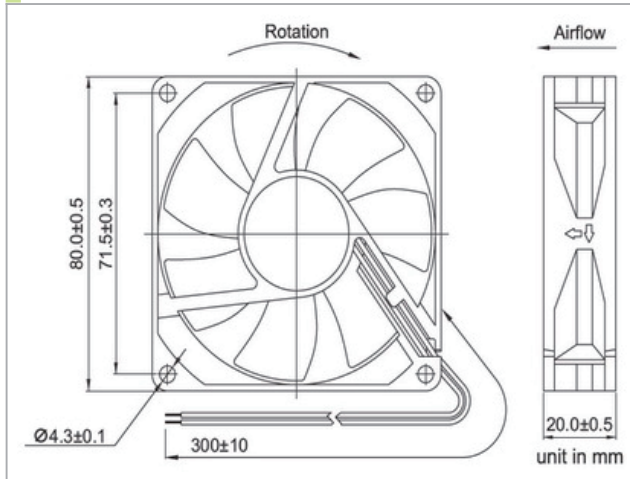
80X80X20mm



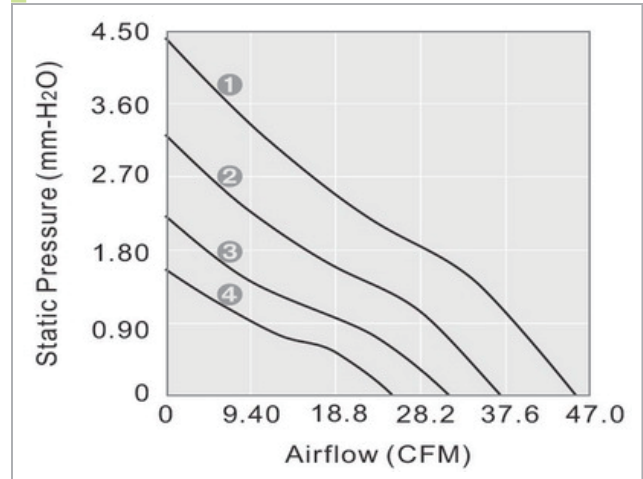
General Specifications

Airflow	22.7~45.2 CFM
Static Pressure	1.3~4.4 mm-H ₂ O
Housing	Plastic Material UL 94V-0 P.B.T.
Blade	Plastic Material UL 94V-0 P.B.T.
Lead Wire	UL1007 #24 AWG

Dimensions:mm



Performance



Specifications

Model NO.	Bearing	Rated Voltage	Operating Voltage Range	Speed RPM	Airflow CFM	Static Pressure mm-H ₂ O	Current mA	Power W	Life at 40 C L10 HOUR	P-Q Curve	Noise dBA	Weight g
		VDC	VDC									
GD128020LB	2BALL	12	7~13.2	2100	23.3	1.4	100	1.20	80000	4	22.9	85
GD128020MB	2BALL	12	7~13.2	2600	31.0	2.2	110	1.32	80000	3	27.0	85
GD128020HB	2BALL	12	7~13.2	3100	36.9	3.2	150	1.80	75000	2	33.5	85
GD128020EB	2BALL	12	7~13.2	3600	45.2	4.4	200	2.40	65000	1	38.0	85
GD128020LL	Sintetico	12	7~13.2	1900	22.8	1.3	50	0.60	50000	4	22.5	85
GD128020ML	Sintetico	12	7~13.2	2400	28.9	1.9	80	0.96	50000	3	25.0	85
GD128020HL	Sintetico	12	7~13.2	2900	34.5	2.7	130	1.56	50000	2	29.1	85
GD128020LS	SLEEVE	12	7~13.2	1900	22.7	1.3	60	0.72	30000	4	22.5	85
GD128020MS	SLEEVE	12	7~13.2	2400	28.9	1.9	90	1.08	30000	3	25.0	85
GD128020HS	SLEEVE	12	7~13.2	2900	34.5	2.7	130	1.56	25000	2	29.5	85
GD248020LB	2BALL	24	12~26.4	2100	23.3	1.4	50	1.20	80000	4	22.9	85
GD248020MB	2BALL	24	12~26.4	2600	31.0	2.2	66	1.58	80000	3	27.0	85
GD248020HB	2BALL	24	12~26.4	3100	36.9	3.2	100	2.40	75000	2	33.5	85
GD248020MS	SLEEVE	24	12~26.4	2400	28.9	1.9	70	1.68	30000	3	25.0	85
GD248020HS	SLEEVE	24	12~26.4	2900	34.5	2.7	100	2.40	25000	2	29.5	85

GULF ELECTRICS CO., LTD

Latest Product Information: www.gulf.com.tw/en
+886-7-5219966 ; service@gulf.com.tw





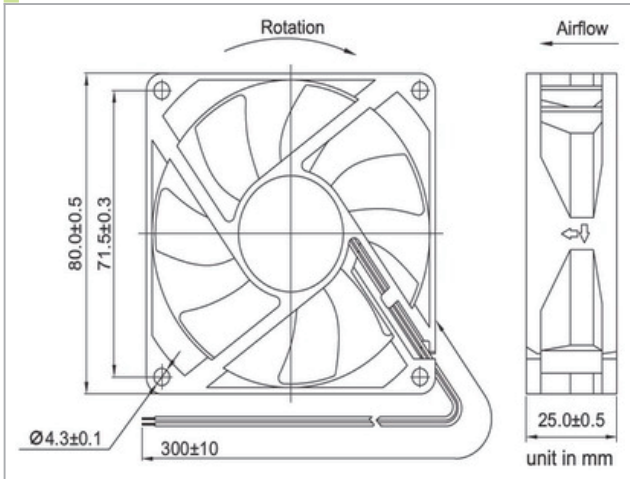
80X80X25mm



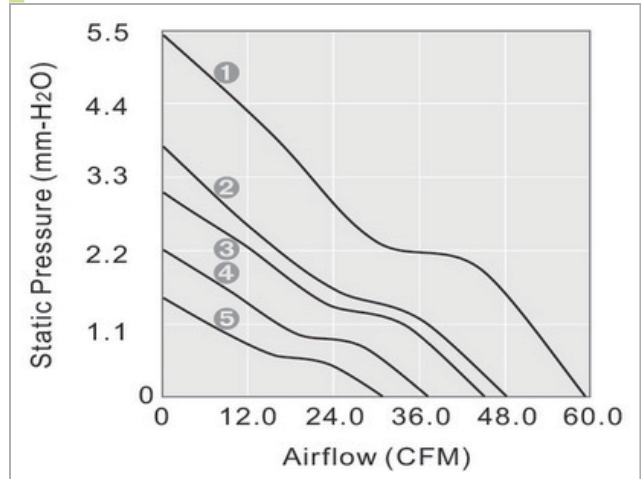
General Specifications

Airflow	27.9~59.8 CFM
Static Pressure	1.3~5.4 mm-H ₂ O
Housing	Plastic Material UL 94V-0 P.B.T.
Blade	Plastic Material UL 94V-0 P.B.T.
Lead Wire	UL1007 #24 AWG

Dimensions:mm



Performance



Specifications

Model NO.	Bearing	Rated Voltage VDC	Operating Voltage Range VDC	Speed RPM	Airflow CFM	Static Pressure mm-H ₂ O	Current mA	Power W	Life at 40 C L10 HOUR	P-Q Curve	Noise dBA	Weight g
GD128025LS	SLEEVE	12	7~13.2	1900	27.9	1.3	100	1.20	30000	5	22.5	88
GD128025MS	SLEEVE	12	7~13.2	2400	35.4	2.1	160	1.92	30000	4	27.5	88
GD128025HS	SLEEVE	12	7~13.2	2900	43.7	2.9	230	2.76	25000	3	33.5	88
GD128025ES	SLEEVE	12	7~13.2	3200	47.4	3.6	260	3.12	20000	2	36.0	88
GD128025LB	2BALL	12	7~13.2	2000	30.0	1.5	100	1.20	80000	5	23.5	88
GD128025MB	2BALL	12	7~13.2	2500	37.0	2.1	160	1.92	80000	4	30.0	88
GD128025HB	2BALL	12	7~13.2	3000	45.2	3.1	230	2.76	75000	3	34.5	88
GD128025EB	2BALL	12	7~13.2	3300	48.5	3.8	260	3.12	65000	2	37.0	88
GD128025EB	2BALL	12	7~13.2	4000	59.8	5.4	450	5.40	65000	1	43.0	88
GD248025LB	2BALL	24	12~26.4	2000	30.0	1.5	60	1.44	80000	5	23.5	88
GD248025MB	2BALL	24	12~26.4	2500	37.0	2.2	80	1.92	80000	4	30.0	88
GD248025HB	2BALL	24	12~26.4	3000	45.2	3.1	130	3.12	75000	3	34.5	88
GD248025EB	2BALL	24	12~26.4	3300	48.5	3.8	150	3.60	65000	2	37.0	88
GD488025LB	2BALL	48	24~56.0	2000	30.0	1.5	30	1.44	80000	5	23.5	88
GD488025MB	2BALL	48	24~56.0	2500	37.0	2.2	50	2.40	80000	4	30.0	88
GD488025HB	2BALL	48	24~56.0	3000	45.2	3.1	90	4.08	75000	3	34.5	88
GD488025EB	2BALL	48	24~56.0	3300	48.5	3.8	110	5.28	65000	2	37.0	88

GULF ELECTRICS CO., LTD

Latest Product Information: www.gulf.com.tw/en

+886-7-5219966 ; service@gulf.com.tw





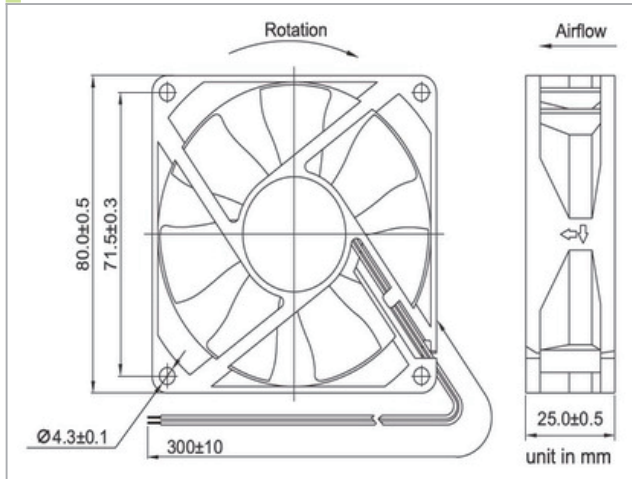
80X80X25mm



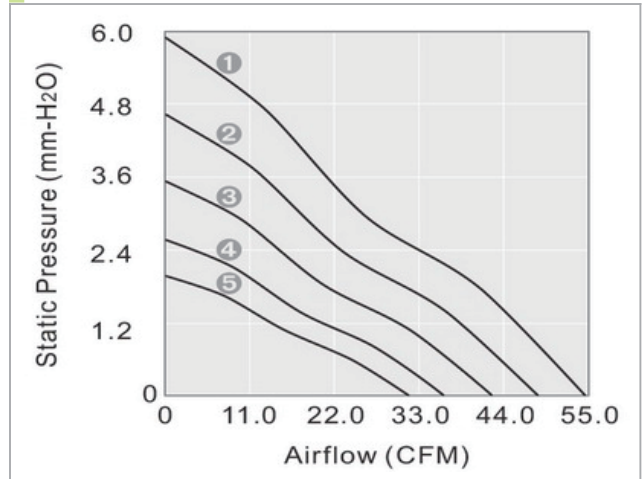
General Specifications

Airflow	31.4~54.5 CFM
Static Pressure	2.0~5.9 mm-H ₂ O
Housing	Plastic Material UL 94V-0 P.B.T.
Blade	Plastic Material UL 94V-0 P.B.T.
Lead Wire	UL1007 #24 AWG

Dimensions:mm



Performance



Specifications

Model NO.	Bearing	Rated Voltage VDC	Operating Voltage Range VDC	Speed RPM	Airflow CFM	Static Pressure mm-H ₂ O	Current mA	Power W	Life at 40 C L10 HOUR	P-Q Curve	Noise dBA	Weight g
GD128025LB-E	2BALL	12	7~13.2	2000	31.4	2.0	100	1.20	80000	5	26.6	88
GD128025MB-E	2BALL	12	7~13.2	2300	36.2	2.6	130	1.56	80000	4	29.6	88
GD128025HB-E	2BALL	12	7~13.2	2700	42.3	3.5	190	2.28	75000	3	33.1	88
GD128025EB-E	2BALL	12	7~13.2	3100	48.4	4.6	280	3.36	65000	2	36.1	88
GD128025EB-E	2BALL	12	7~13.2	3500	54.5	5.9	300	3.60	65000	1	38.7	88
GD248025LB-E	2BALL	24	12~26.4	2000	31.4	2.0	55	1.32	80000	5	26.6	88
GD248025MB-E	2BALL	24	12~26.4	2300	36.2	2.6	70	1.68	80000	4	29.6	88
GD248025HB-E	2BALL	24	12~26.4	2700	42.3	3.5	90	2.16	75000	3	33.1	88
GE248025EB-E	2BALL	24	12~26.4	3100	48.4	4.6	130	3.12	65000	2	36.1	88
GD248025EB-E	2BALL	24	12~26.4	3500	54.5	5.9	140	3.36	65000	1	38.7	88
GD488025LB-E	2BALL	48	24~56.0	2000	31.4	2.0	40	1.92	80000	5	26.6	88
GD488025MB-E	2BALL	48	24~56.0	2300	36.2	2.6	50	2.40	80000	4	29.6	88
GD488025HB-E	2BALL	48	24~56.0	2700	42.3	3.5	70	3.36	75000	3	33.1	88
GD488025EB-E	2BALL	48	24~56.0	3100	48.4	4.6	90	4.32	65000	2	36.1	88
GD488025EB-E	2BALL	48	24~56.0	3500	54.5	5.9	110	5.28	65000	1	38.7	88

GULF ELECTRICS CO., LTD

Latest Product Information: www.gulf.com.tw/en

+886-7-5219966 ; service@gulf.com.tw





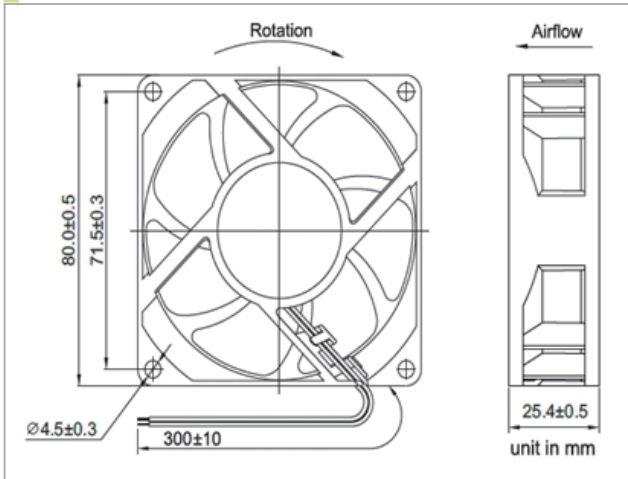
80X80X25mm



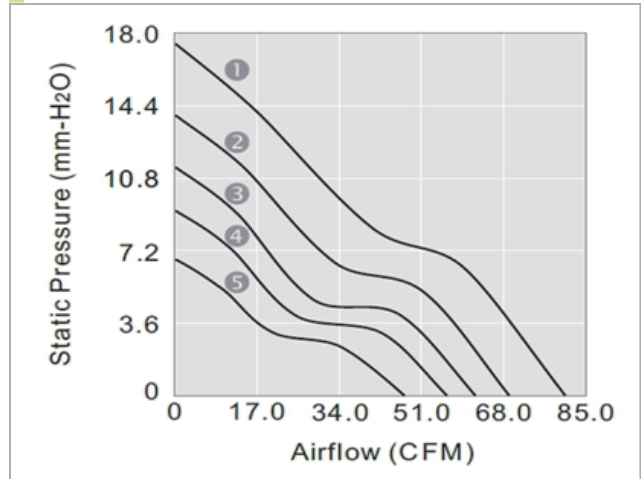
General Specifications

Airflow	47.4~80.0 CFM
Static Pressure	6.8~17.2 mm-H ₂ O
Housing	Plastic Material UL 94V-0 P.B.T.
Blade	Plastic Material UL 94V-0 P.B.T.
Lead Wire	UL1007 #24 AWG

Dimensions:mm



Performance



Specifications

Model NO.	Bearing	Rated Voltage	Operating Voltage Range	Speed RPM	Airflow CFM	Static Pressure mm-H ₂ O	Current mA	Power W	Life at 40°C L10 HOUR	P-Q Curve	Noise dBA	Weight g
		VDC	VDC									
GD128025LB-H	2BALL	12	7~13.2	3800	47.4	6.8	180	2.16	80000	5	39.5	103.5
GD128025MB-H	2BALL	12	7~13.2	4400	55.7	9.0	260	3.12	80000	4	43.5	103.5
GD128025HB-H	2BALL	12	7~13.2	5000	62.3	11.3	330	3.96	75000	3	46.7	103.5
GD128025EB-H	2BALL	12	7~13.2	5600	70.0	14.2	480	5.76	65000	2	50.0	103.5
GD128025EB-H	2BALL	12	7~13.2	6200	80.0	17.2	600	7.20	65000	1	53.5	103.5
GD248025LB-H	2BALL	24	12~26.4	3800	47.4	6.8	100	2.40	80000	5	39.5	103.5
GD248025MB-H	2BALL	24	12~26.4	4400	55.7	9.0	130	3.12	80000	4	43.5	103.5
GD248025HB-H	2BALL	24	12~26.4	5000	62.3	11.3	180	4.32	75000	3	46.7	103.5
GD248025EB-H	2BALL	24	12~26.4	5600	70.0	14.2	220	52.8	65000	2	50.0	103.5
GD248025EB-H	2BALL	24	12~26.4	6200	80.0	17.2	330	7.92	65000	1	53.5	103.5
GD488025LB-H	2BALL	48	24~56.0	3800	47.4	6.8	65	3.12	80000	5	39.5	103.5
GD488025MB-H	2BALL	48	24~56.0	4400	55.7	9.0	85	4.08	80000	4	43.5	103.5
GD488025HB-H	2BALL	48	24~56.0	5000	62.3	11.3	100	4.80	75000	3	46.7	103.5
GD488025EB-H	2BALL	48	24~56.0	5600	70.0	14.2	130	6.24	65000	2	50.0	103.5
GD488025EB-H	2BALL	48	24~56.0	6200	80.0	17.2	160	7.68	65000	1	53.5	103.5

GULF ELECTRICS CO., LTD

Latest Product Information: www.gulf.com.tw/en
+886-7-5219966 ; service@gulf.com.tw





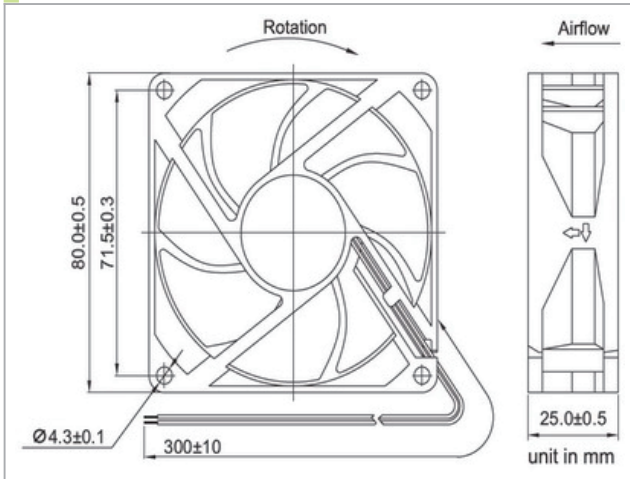
80X80X25mm



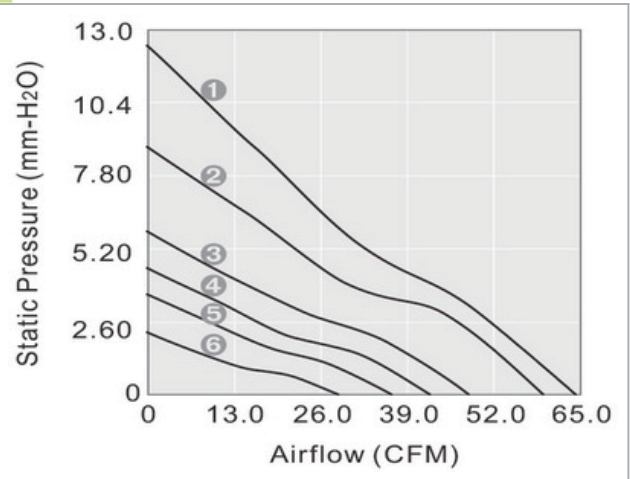
General Specifications

Airflow	26.3~59.6 CFM
Static Pressure	2.0~8.8 mm-H ₂ O
Housing	Plastic Material UL 94V-0 P.B.T.
Blade	Plastic Material UL 94V-0 P.B.T.
Lead Wire	UL1007 #24 AWG

Dimensions:mm



Performance



Specifications

Model NO.	Bearing	Rated Voltage VDC	Operating Voltage Range VDC	Speed RPM	Airflow CFM	Static Pressure mm-H ₂ O	Current mA	Power W	Life at 40°C L10 HOUR	P-Q Curve	Noise dBA	Weight g
GD128025LS-N	SLEEVE	12	7~13.2	2100	26.3	2.0	80	0.96	30000	6	26.0	100
GD128025MS-N	SLEEVE	12	7~13.2	2600	32.7	3.1	130	1.56	30000	5	29.5	100
GD128025HS-N	SLEEVE	12	7~13.2	3200	40.4	3.9	200	2.40	25000	4	35.5	100
GD128025ES-N	SLEEVE	12	7~13.2	3500	46.0	5.2	250	3.00	20000	3	38.5	100
GD128025LB-N	2BALL	12	7~13.2	2300	28.8	2.2	80	0.96	80000	6	27.0	100
GD128025MB-N	2BALL	12	7~13.2	2900	36.9	3.6	130	1.56	80000	5	32.0	100
GD128025HB-N	2BALL	12	7~13.2	3400	41.7	4.5	140	1.68	75000	4	37.5	100
GD128025EB-N	2BALL	12	7~13.2	3700	48.5	5.8	250	3.00	65000	3	39.5	100
GD128025EB-N	2BALL	12	7~13.2	4500	59.6	8.8	280	3.36	65000	2	44.0	100
GD128025UB-N	2BALL	12	7~13.2	5500	64.1	12.5	500	6.00	65000	1	48.0	100
GD248025LB-N	2BALL	24	12~26.4	2300	28.8	2.2	60	1.44	80000	6	27.0	100
GD248025MB-N	2BALL	24	12~26.4	2900	36.9	3.6	80	1.92	80000	5	32.0	100
GD248025HB-N	2BALL	24	12~26.4	3400	41.7	4.5	100	2.40	75000	4	37.5	100
GD248025EB-N	2BALL	24	12~26.4	3700	48.5	5.8	110	2.64	65000	3	39.5	100
GD248025EB-N	2BALL	24	12~26.4	4500	59.6	8.8	200	4.80	65000	2	44.0	100
GD488025MB-N	2BALL	48	24~56.0	2900	36.9	3.6	45	2.16	80000	5	32.0	100
GD488025HB-N	2BALL	48	24~56.0	3400	41.7	4.5	80	3.84	75000	4	37.5	100
GD488025EB-N	2BALL	48	24~56.0	3700	48.5	5.9	90	4.08	75000	3	39.5	100

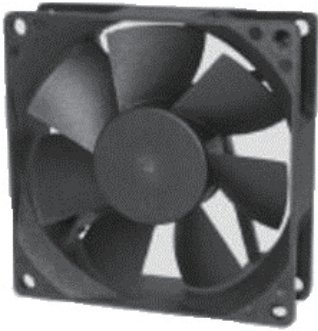
GULF ELECTRICS CO., LTD

Latest Product Information: www.gulf.com.tw/en

+886-7-5219966 ; service@gulf.com.tw



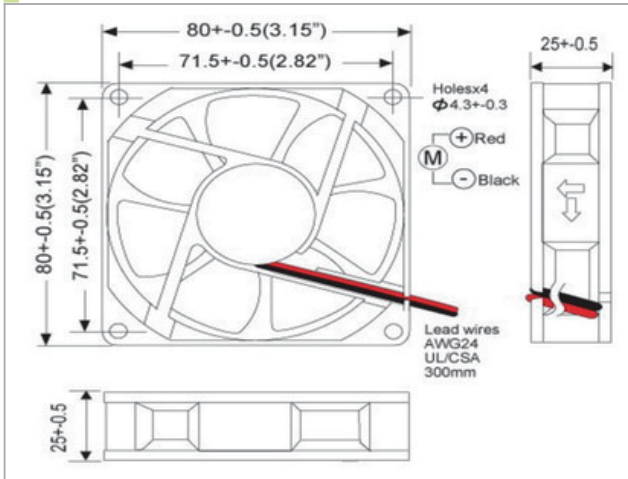
80X80X25mm



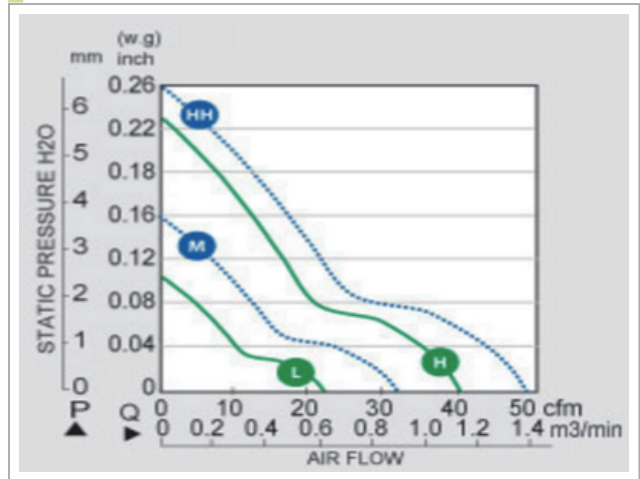
General Specifications

Airflow	22~40 CFM
Static Pressure	0.10~0.23 Inch-H2O
Housing	Plastic Material UL 94V-0 P.B.T.
Blade	Plastic Material UL 94V-0 P.B.T.
Lead Wire	UL1007 #24 AWG

Dimensions:mm



Performance



Specifications

Model NO.	Bearing	Rated Voltage VDC	Operating Voltage Range VDC	Speed RPM	Airflow CFM	Static Pressure Inch-H ₂ O	Current A	Power W	P-Q Curve	Noise dBA
GD058025EB-SW	2BALL	5	4~6	3200	40	0.23	0.28	1.4	HH	33
GD058025HB-SW	2BALL	5	4~7	2800	35	0.22	0.28	1.4	H	32
GD058025MB-SW	2BALL	5	4~7	2200	30	0.15	0.20	1.0	M	27
GD058025LB-SW	2BALL	5	4~7	1800	22	0.10	0.15	0.8	L	21





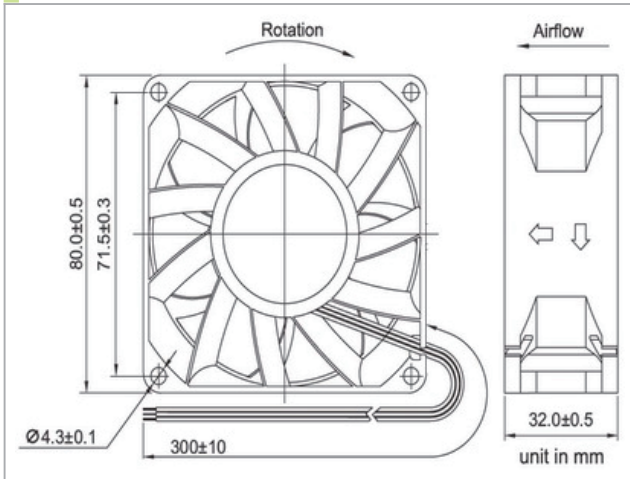
80X80X32mm



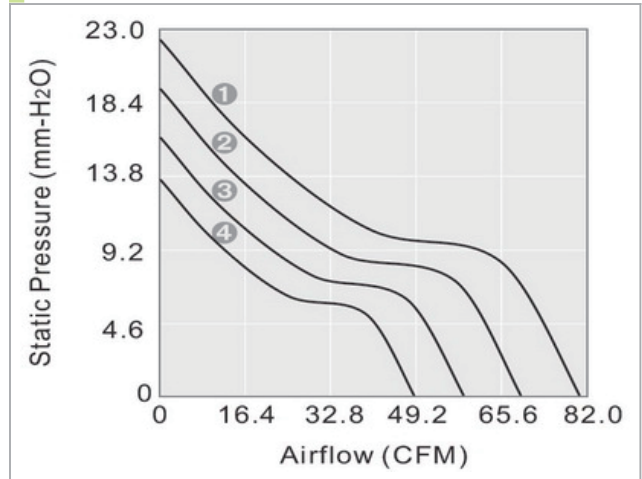
General Specifications

Airflow	48.6~80.5 CFM
Static Pressure	13.5~22.3 mm-H ₂ O
Housing	Plastic Material UL 94V-0 P.B.T.
Blade	Plastic Material UL 94V-0 P.B.T.
Lead Wire	UL1007 #24 AWG

Dimensions:mm



Performance



Specifications

Model NO.	Bearing	Rated Voltage VDC	Operating Voltage Range VDC	Speed RPM	Airflow CFM	Static Pressure mm-H ₂ O	Current mA	Power W	Life at 40°C L10 HOUR	P-Q Curve	Noise dBA	Weight g
GD128032LB-P	2BALL	12	7~13.2	3500	48.6	13.5	240	2.88	80000	4	45.0	148.2
GD128032MB-P	2BALL	12	7~13.2	4200	58.3	16.2	350	4.20	80000	3	49.0	148.2
GD128032HB-P	2BALL	12	7~13.2	5000	69.4	19.2	650	7.80	75000	2	53.0	148.2
GD128032EB-P	2BALL	12	7~13.2	5800	80.5	22.3	830	9.96	65000	1	56.0	148.2
GD248032LB-P	2BALL	24	12~26.4	3500	48.6	13.5	150	3.60	80000	4	45.0	148.2
GD248032MB-P	2BALL	24	12~26.4	4200	58.3	16.2	220	5.28	80000	3	49.0	148.2
GD248032HB-P	2BALL	24	12~26.4	5000	69.4	19.2	330	7.92	75000	2	53.0	148.2
GD248032EB-P	2BALL	24	12~26.4	5800	80.5	22.3	450	10.80	65000	1	56.0	148.2

GULF ELECTRICS CO., LTD

Latest Product Information: www.gulf.com.tw/en

+886-7-5219966 ; service@gulf.com.tw





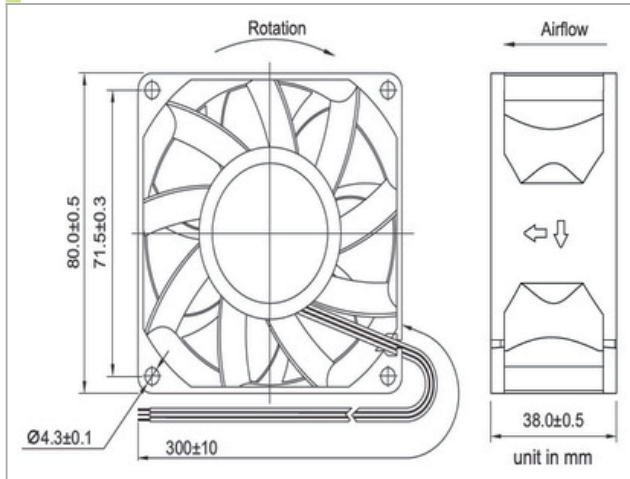
80X80X38mm



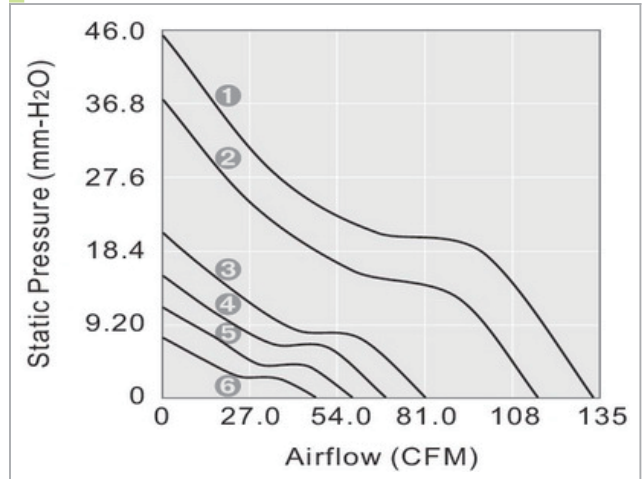
General Specifications

Airflow	47.6~132.9 CFM
Static Pressure	7.5~45.3 mm-H ₂ O
Housing	Plastic Material UL 94V-0 P.B.T.
Blade	Plastic Material UL 94V-0 P.B.T.
Lead Wire	UL1007 #24 AWG

Dimensions:mm



Performance



Specifications

Model NO.	Bearing	Rated Voltage VDC	Operating Voltage Range VDC	Speed RPM	Airflow CFM	Static Pressure mm-H ₂ O	Current A	Power W	Life at 40°C L10 HOUR	P-Q Curve	Noise dBA	Weight g
GD128038LB-P	2BALL	12	7~13.2	3400	47.6	7.5	240	2.88	80000	6	41.5	172.6
GD128038MB-P	2BALL	12	7~13.2	4200	58.9	11.2	380	4.56	80000	5	47.0	172.6
GD128038HB-P	2BALL	12	7~13.2	4900	69.2	15.2	580	6.96	75000	4	51.5	172.6
GD128038EB-P	2BALL	12	7~13.2	5700	81.2	20.5	800	9.60	65000	3	55.0	172.6
GD128038UB-P	2BALL	12	7~13.2	8000	116.0	37.2	2000	24.0	65000	2	62.5	172.6
GD128038SB-P	2BALL	12	7~13.2	9000	132.9	45.3	2700	32.4	60000	1	65.0	172.6
GD248038LB-P	2BALL	24	12~26.4	3400	47.6	7.5	130	3.12	80000	6	41.5	172.6
GD248038MB-P	2BALL	24	12~26.4	4200	58.9	11.2	200	4.80	80000	5	47.0	172.6
GD248038HB-P	2BALL	24	12~26.4	4900	69.2	15.2	280	6.72	75000	4	51.5	172.6
GD248038EB-P	2BALL	24	12~26.4	5700	81.2	20.5	420	10.08	65000	3	55.0	172.6
GD488038LB-P	2BALL	48	24~56.0	3400	47.6	7.5	80	3.84	80000	6	41.5	172.6
GD488038MB-P	2BALL	48	24~56.0	4200	58.9	11.2	110	5.28	80000	5	47.0	172.6
GD488038HB-P	2BALL	48	24~56.0	4900	69.2	15.2	150	7.20	75000	4	51.5	172.6
GD488038EB-P	2BALL	48	24~56.0	5700	81.2	20.5	200	9.60	65000	3	55.0	172.6

GULF ELECTRICS CO., LTD

Latest Product Information: www.gulf.com.tw/en
+886-7-5219966 ; service@gulf.com.tw





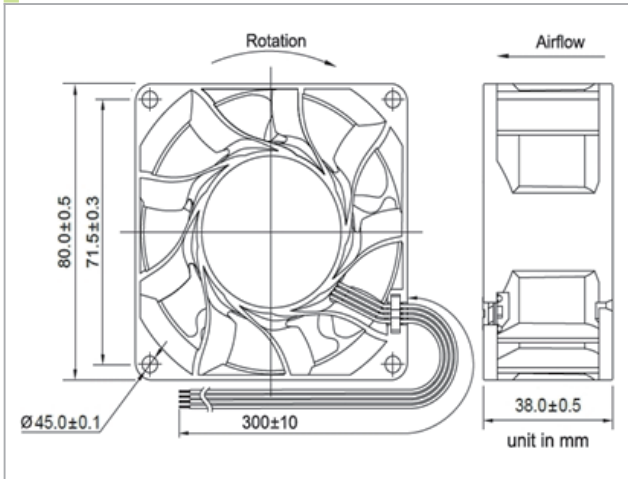
80X80X38mm



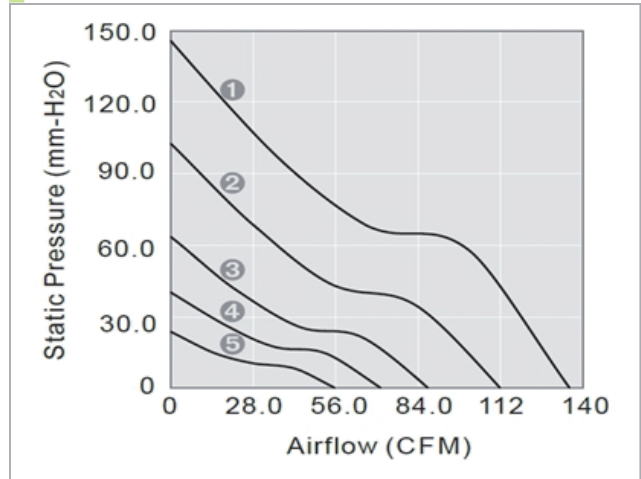
General Specifications

Airflow	55.2~135.0 CFM
Static Pressure	23.3~145.0 mm-H ₂ O
Housing	Plastic Material UL 94V-0 P.B.T.
Blade	Plastic Material UL 94V-0 P.B.T.
Lead Wire	UL1061 #22 AWG

Dimensions:mm



Performance



Specifications

Model NO.	Bearing	Rated Voltage VDC	Operating Voltage Range VDC	Speed RPM	Airflow CFM	Static Pressure mm-H ₂ O	Current mA	Power W	Life at 40°C L10 HOUR	P-Q Curve	Noise dBA	Weight g
GD128038LB-E	2BALL	12	7~14.0	7000	55.2	23.3	550	6.60	80000	5	50.0	220
GD128038MB-E	2BALL	12	7~14.0	9000	70.9	39.6	950	11.40	80000	4	56.0	220
GD128038HB-E	2BALL	12	7~14.0	11000	87.1	63.0	1550	18.60	75000	3	60.8	220
GD128038EB-E	2BALL	12	7~14.0	14000	111.6	102.1	2900	34.80	65000	2	67.5	220
GD128038UB-E	2BALL	12	7~14.0	17000	135.0	145.0	4800	57.60	65000	1	69.5	220
GD248038LB-E	2BALL	24	10~30.0	7000	55.2	23.3	300	7.20	80000	5	50.0	220
GD248038MB-E	2BALL	24	10~30.0	9000	70.9	39.6	450	10.80	80000	4	56.0	220
GD248038HB-E	2BALL	24	10~30.0	11000	87.1	63.0	730	16.80	75000	3	60.8	220
GD248038EB-E	2BALL	24	10~30.0	14000	111.6	102.1	1300	31.20	65000	2	67.5	220
GD248038UB-E	2BALL	24	10~30.0	17000	135.0	145.0	2300	55.20	65000	1	69.5	220
GD488038LB-E	2BALL	48	24~75.0	7000	55.2	23.3	200	9.60	80000	5	50.0	220
GD488038MB-E	2BALL	48	24~75.0	9000	70.9	39.6	270	12.96	80000	4	56.0	220
GD488038HB-E	2BALL	48	24~75.0	11000	87.1	63.0	360	17.28	75000	3	60.8	220
GD488038EB-E	2BALL	48	24~75.0	14000	111.6	102.1	700	33.60	65000	2	67.5	220
GD488038UB-E	2BALL	48	24~75.0	17000	135.0	145.0	1200	57.60	65000	1	69.5	220

GULF ELECTRICS CO., LTD

Latest Product Information: www.gulf.com.tw/en
+886-7-5219966 ; service@gulf.com.tw





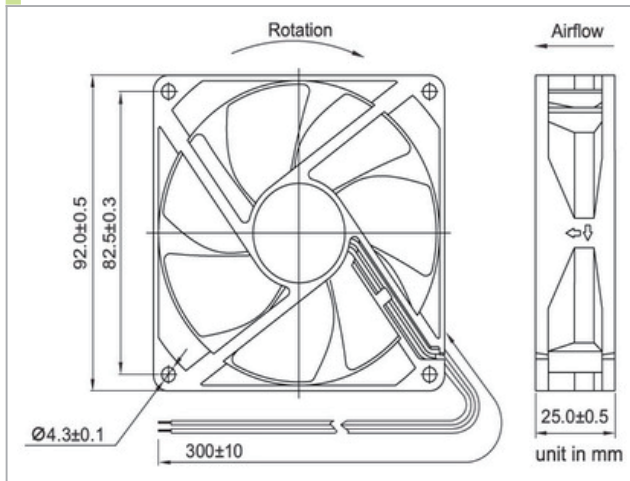
92X92X25mm



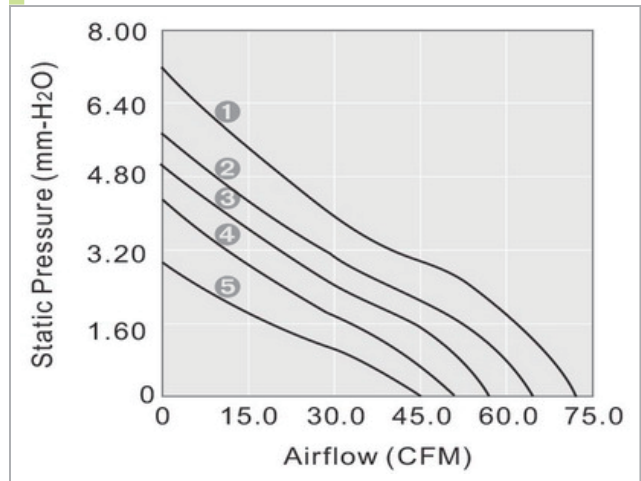
General Specifications

Airflow	45.8~73.4 CFM
Static Pressure	3.1~7.2 mm-H ₂ O
Housing	Plastic Material UL 94V-0 P.B.T.
Blade	Plastic Material UL 94V-0 P.B.T.
Lead Wire	UL1007 #24 AWG

Dimensions:mm



Performance



Specifications

Model NO.	Bearing	Rated Voltage VDC	Operating Voltage Range VDC	Speed RPM	Airflow CFM	Static Pressure mm-H ₂ O	Current mA	Power W	Life at 40 C L10 HOUR	P-Q Curve	Noise dBA	Weight g
GD129225LS	SLEEVE	12	7~13.2	2400	45.8	3.1	150	1.80	30000	5	32.5	100
GD129225MS	SLEEVE	12	7~13.2	2800	53.5	4.3	220	2.64	30000	4	38.0	100
GD129225HS	SLEEVE	12	7~13.2	3100	58.6	5.2	260	3.12	25000	3	40.0	100
GD129225ES	SLEEVE	12	7~13.2	3500	67.3	5.9	340	4.08	20000	2	43.0	100
GD129225ES	SLEEVE	12	7~13.2	3800	73.4	7.3	470	5.64	20000	1	45.5	100
GD129225LB	2BALL	12	7~13.2	2400	45.8	3.1	150	1.80	80000	5	32.5	100
GD129225MB	2BALL	12	7~13.2	2800	53.5	4.3	220	2.64	80000	4	38.0	100
GD129225HB	2BALL	12	7~13.2	3100	58.6	5.2	260	3.12	75000	3	40.0	100
GD129225EB	2BALL	12	7~13.2	3500	67.3	5.9	340	4.08	65000	2	43.0	100
GD129225EB	2BALL	12	7~13.2	3800	73.4	7.2	470	5.64	65000	1	45.5	100
GD249225LB	2BALL	24	12~26.4	2400	45.8	3.1	90	2.16	80000	5	32.5	100
GD249225MB	2BALL	24	12~26.4	2800	53.5	4.3	120	2.88	80000	4	38.0	100
GD249225HB	2BALL	24	12~26.4	3100	58.6	5.2	160	3.84	75000	3	40.0	100
GD249225EB	2BALL	24	12~26.4	3500	67.3	5.9	200	4.80	65000	2	43.0	100
GD249225EB	2BALL	24	12~26.4	3800	73.4	7.3	270	6.48	65000	1	45.5	100
GD489225LB	2BALL	48	24~56.0	2400	45.8	3.1	55	2.64	80000	5	32.5	100
GD489225MB	2BALL	48	24~56.0	2800	53.5	4.3	80	3.84	80000	4	38.0	100
GD489225HB	2BALL	48	24~56.0	3100	58.6	5.2	100	4.80	75000	3	40.0	100
GD489225EB	2BALL	48	24~56.0	3500	67.3	5.9	150	7.20	65000	2	43.0	100

GULF ELECTRICS CO., LTD

Latest Product Information: www.gulf.com.tw/en
+886-7-5219966 ; service@gulf.com.tw





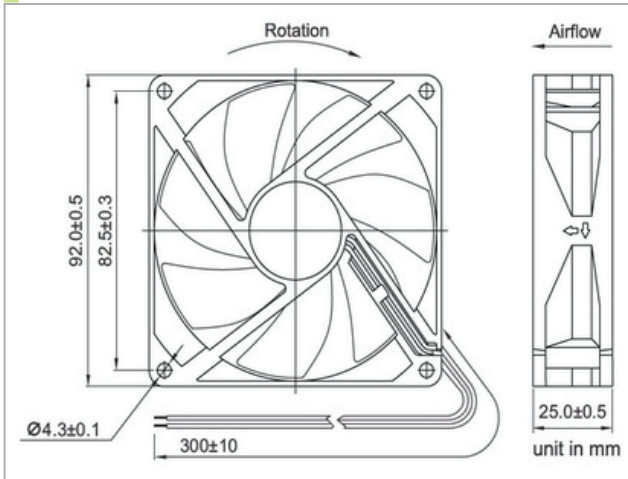
92X92X25mm



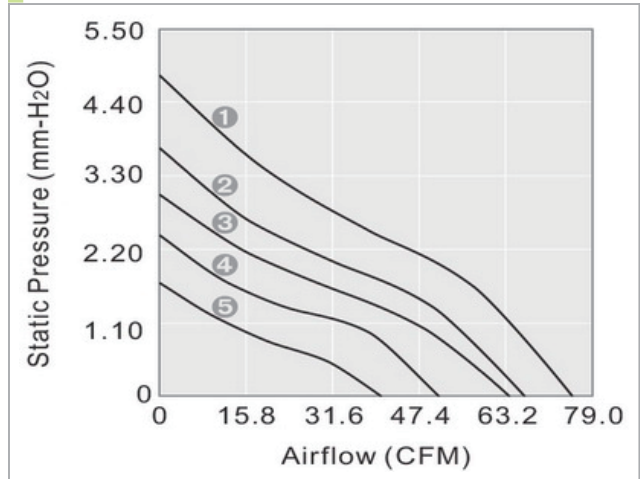
General Specifications

Airflow	38.1~75.0 CFM
Static Pressure	1.5~4.8 mm-H ₂ O
Housing	Plastic Material UL 94V-0 P.B.T.
Blade	Plastic Material UL 94V-0 P.B.T.
Lead Wire	UL1007 #24 AWG

Dimensions:mm



Performance



Specifications

Model NO.	Bearing	Rated Voltage VDC	Operating Voltage Range VDC	Speed RPM	Airflow CFM	Static Pressure mm-H ₂ O	Current mA	Power W	Life at 40°C L10 HOUR	P-Q Curve	Noise dBA	Weight g
GD129225LS-N	SLEEVE	12	7~13.2	1800	38.1	1.5	100	1.20	30000	5	25.0	100
GD129225MS-N	SLEEVE	12	7~13.2	2300	48.7	2.2	160	1.92	30000	4	32.0	100
GD129225HS-N	SLEEVE	12	7~13.2	2700	61.4	2.7	200	2.40	25000	3	36.5	100
GD129225ES-N	SLEEVE	12	7~13.2	3000	63.1	3.3	260	3.12	20000	2	39.0	100
GD129225LB-N	2BALL	12	7~13.2	1900	40.2	1.7	100	1.20	80000	5	25.0	100
GD129225MB-N	2BALL	12	7~13.2	2400	50.8	2.4	160	1.92	80000	4	33.0	100
GD129225HB-N	2BALL	12	7~13.2	2800	63.7	3.0	230	2.76	75000	3	37.5	100
GD129225EB-N	2BALL	12	7~13.2	3100	66.3	3.7	260	3.12	65000	2	40.0	100
GD129225EB-N	2BALL	12	7~13.2	3500	75.0	4.8	360	4.32	65000	1	42.5	100
GD249225LB-N	2BALL	24	12~26.4	1900	40.2	1.7	60	1.44	80000	5	25.0	100
GD249225MB-N	2BALL	24	12~26.4	2400	50.8	2.4	80	1.92	80000	4	33.0	100
GD249225HB-N	2BALL	24	12~26.4	2800	63.7	3.0	130	3.12	75000	3	37.5	100
GD249225EB-N	2BALL	24	12~26.4	3600	81.9	3.9	190	4.56	65000	1	47.5	100
GD489225LB-N	2BALL	48	24~56.0	1900	40.2	1.7	30	1.44	80000	5	25.0	100
GD489225MB-N	2BALL	48	24~56.0	2400	50.8	2.4	55	2.64	80000	4	33.0	100
GD489225HB-N	2BALL	48	24~56.0	2800	63.7	3.0	70	3.36	75000	3	37.5	100

GULF ELECTRICS CO., LTD

Latest Product Information: www.gulf.com.tw/en

+886-7-5219966 ; service@gulf.com.tw





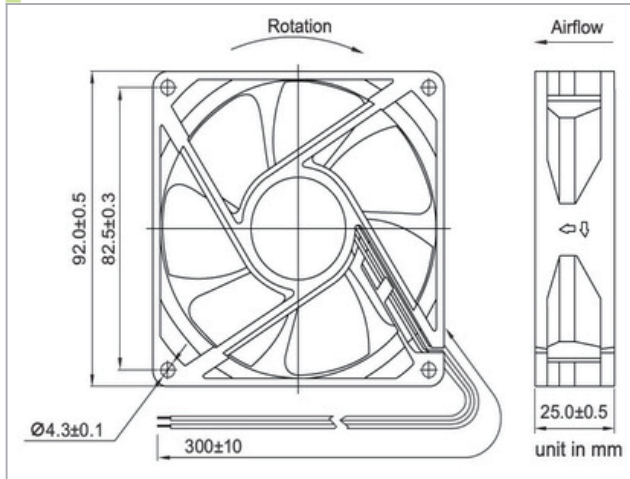
92X92X25mm



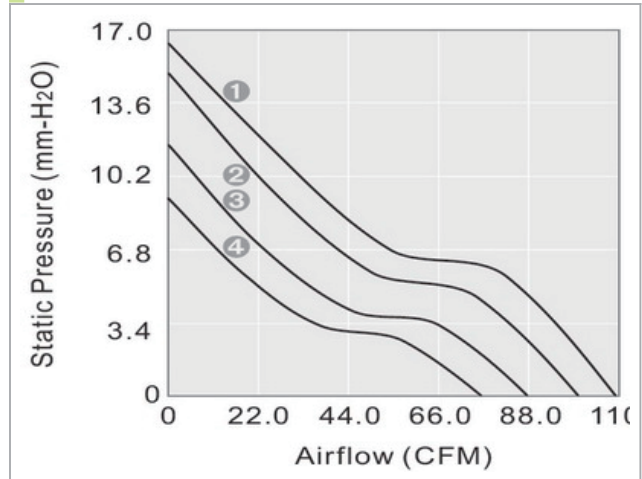
General Specifications

Airflow	76.2~109.3 CFM
Static Pressure	9.2~16.4 mm-H ₂ O
Housing	Plastic Material UL 94V-0 P.B.T.
Blade	Plastic Material UL 94V-0 P.B.T.
Lead Wire	UL1007 #24 AWG

Dimensions:mm



Performance



Specifications

Model NO.	Bearing	Rated Voltage VDC	Operating Voltage Range VDC	Speed RPM	Airflow CFM	Static Pressure mm-H ₂ O	Current mA	Power W	Life at 40°C L10 HOUR	P-Q Curve	Noise dBA	Weight g
GD129225LB-S	2BALL	12	7~13.2	3800	76.2	9.2	350	4.20	80000	4	44.0	117.6
GD129225MB-S	2BALL	12	7~13.2	4300	87.8	11.6	450	5.40	80000	3	47.0	117.6
GD129225HB-S	2BALL	12	7~13.2	4800	100.3	15.0	650	7.80	75000	2	49.0	117.6
GD129225EB-S	2BALL	12	7~13.2	5300	109.3	16.4	900	10.8	65000	1	51.0	117.6
GD249225LB-S	2BALL	24	12~26.4	3800	76.2	9.2	190	4.56	80000	4	44.0	117.6
GD249225MB-S	2BALL	24	12~26.4	4300	87.8	11.6	260	6.24	80000	3	47.0	117.6
GD249225HB-S	2BALL	24	12~26.4	4800	100.3	15.0	350	8.40	75000	2	49.0	117.6
GD249225EB-S	2BALL	24	12~26.4	5300	109.3	16.4	450	10.8	65000	1	51.0	117.6
GD489225LB-S	2BALL	48	24~56.0	3800	76.2	9.2	110	5.28	80000	4	44.0	117.6
GD489225MB-S	2BALL	48	24~56.0	4300	87.8	11.6	130	6.24	80000	3	47.0	117.6
GD489225HB-S	2BALL	48	24~56.0	4800	100.3	15.0	170	8.16	75000	2	49.0	117.6
GD489225EB-S	2BALL	48	24~56.0	5300	109.3	16.4	220	10.6	65000	1	51.0	117.6

GULF ELECTRICS CO., LTD

Latest Product Information: www.gulf.com.tw/en

+886-7-5219966 ; service@gulf.com.tw





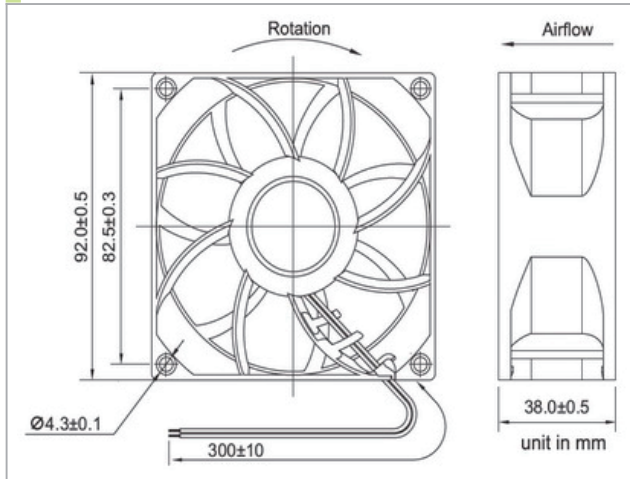
92X92X38mm



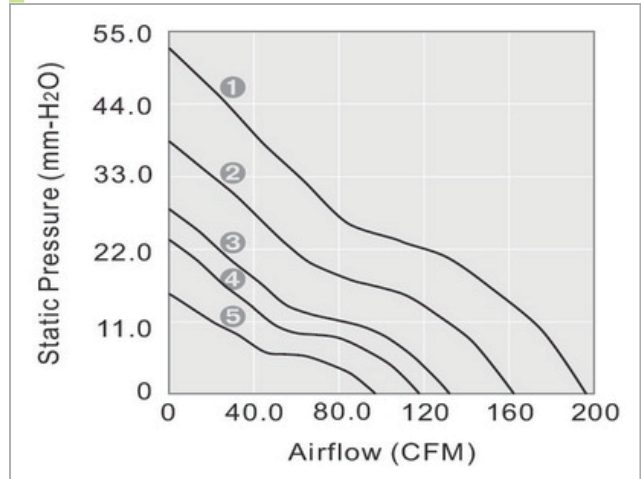
General Specifications

Airflow	97.1~196.5 CFM
Static Pressure	15.2~52.4 mm-H ₂ O
Housing	Plastic Material UL 94V-0 P.B.T.
Blade	Plastic Material UL 94V-0 P.B.T.
Lead Wire	UL1007 #24 AWG

Dimensions:mm



Performance



Specifications

Model NO.	Bearing	Rated Voltage VDC	Operating Voltage Range VDC	Speed RPM	Airflow CFM	Static Pressure mm-H ₂ O	Current mA	Power W	Life at 40°C L10 HOUR	P-Q Curve	Noise dBA	Weight g
GD129238LB-S	2BALL	12	7~13.2	5000	97.1	15.2	450	5.40	60000	5	50.9	201.5
GD129238MB-S	2BALL	12	7~13.2	6000	118.0	23.4	750	9.00	60000	4	54.3	201.5
GD129238HB-S	2BALL	12	7~13.2	7000	132.2	28.1	1150	13.80	60000	3	57.5	201.5
GD129238EB-S	2BALL	12	7~13.2	8500	162.3	38.2	1900	22.80	60000	2	61.7	201.5
GD129238EB-S	2BALL	12	7~13.2	10000	196.5	52.4	3200	38.40	60000	1	66.3	201.5
GD249238LB-S	2BALL	24	12~28.0	5000	97.1	15.2	260	6.24	60000	5	50.9	201.5
GD249238MB-S	2BALL	24	12~28.0	6000	118.0	23.4	380	9.12	60000	4	54.3	201.5
GD249238HB-S	2BALL	24	12~28.0	7000	132.2	28.1	580	13.92	60000	3	57.5	201.5
GD249238EB-S	2BALL	24	12~28.0	8500	162.3	38.2	1000	24.00	60000	2	61.7	201.5
GD249238EB-S	2BALL	24	12~28.0	10000	196.5	52.4	1600	38.40	60000	1	66.3	201.5
GD489238LB-S	2BALL	48	36~56.0	5000	97.1	15.2	150	7.20	60000	5	50.9	201.5
GD489238MB-S	2BALL	48	36~56.0	6000	118.0	23.4	200	9.60	60000	4	54.3	201.5
GD489238HB-S	2BALL	48	36~56.0	7000	132.2	28.1	290	13.92	60000	3	57.5	201.5
GD489238EB-S	2BALL	48	36~56.0	8500	162.3	38.2	500	24.00	60000	2	61.7	201.5
GD489238EB-S	2BALL	48	36~56.0	10000	196.5	52.4	800	38.40	60000	1	66.3	201.5

GULF ELECTRICS CO., LTD

Latest Product Information: www.gulf.com.tw/en
+886-7-5219966 ; service@gulf.com.tw





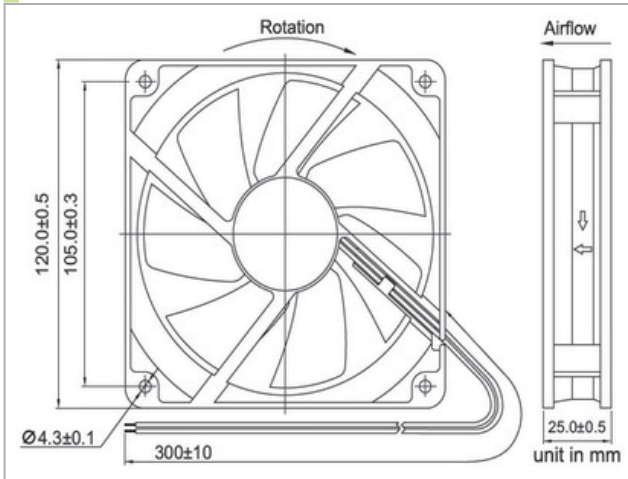
120X120X25mm



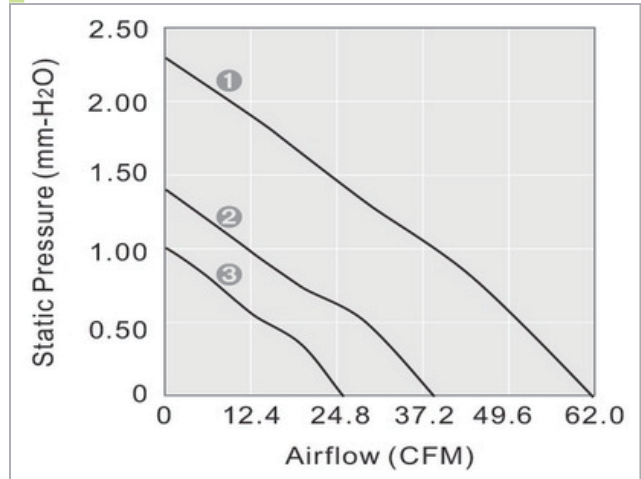
General Specifications

Airflow	25.6~61.2 CFM
Static Pressure	1.0~2.3 mm-H ₂ O
Housing	Plastic Material UL 94V-0 P.B.T.
Blade	Plastic Material UL 94V-0 P.B.T.
Lead Wire	UL1007 #24 AWG

Dimensions:mm



Performance



Specifications

Model NO.	Bearing	Rated Voltage VDC	Operating Voltage Range VDC	Speed RPM	Airflow CFM	Static Pressure mm-H ₂ O	Current mA	Power W	Life at 40°C L10 HOUR	P-Q Curve	Noise dBA	Weight g
GM121225LB	2BALL	12	7~13.2	2000	61.2	2.3	180	2.16	80000	1	31.5	118
GM121225LB	2BALL	12	7~13.2	1200	38.4	1.4	70	0.84	80000	2	17.5	118
GM121225LL	Sintetico	12	7~13.2	1200	38.4	1.4	65	0.78	50000	2	17.5	118
GM121225LL	Sintetico	12	7~13.2	800	25.6	1.0	40	0.48	50000	3	16.5	118
GM121225LS	SLEEVE	12	7~13.2	2000	61.2	2.3	180	2.16	30000	1	31.5	118
GM121225LS	SLEEVE	12	7~13.2	1200	38.4	1.4	70	0.84	30000	2	17.5	118
GM121225LS	SLEEVE	12	7~13.2	800	25.6	1.0	40	0.48	30000	3	16.5	118

GULF ELECTRICS CO., LTD

Latest Product Information: www.gulf.com.tw/en

+886-7-5219966 ; service@gulf.com.tw





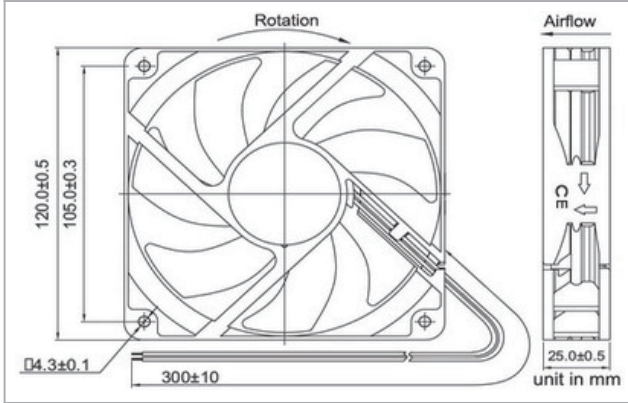
120X120X25mm



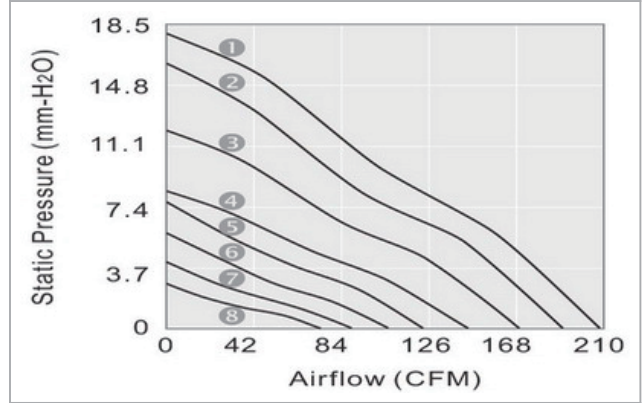
General Specifications

Airflow	73.0~208.4 CFM
Static Pressure	2.6~18.0 mm-H ₂ O
Blade	Plastic Material UL 94V-0 P.B.T.
Frame	Plastic Material UL 94V-0 P.B.T.
Lead Wire	UL1007 #22 AWG

Dimensions:mm



Performance



Specifications

Model NO.	Bearing	Rated Voltage	Operating Voltage Range	Speed	Airflow	Static Pressure	Current	Power	Life at 40°C	P-Q Curve	Noise	Weight
		VDC	VDC	RPM	CFM	mm-H ₂ O	mA	W	HOUR		dBA	g
GD121225LB	2BALL	12	7~13.2	1800	73.0	2.6	180	2.16	80000	8	34.0	160
GD121225MB	2BALL	12	7~13.2	2200	87.8	3.9	290	3.48	80000	7	40.5	160
GD121225HB	2BALL	12	7~13.2	2600	106.1	5.8	460	5.52	75000	6	44.0	160
GD121225EB	2BALL	12	7~13.2	3000	123.1	7.6	570	6.84	65000	5	49.0	160
GD121225EB	2BALL	12	7~13.2	3500	144.6	8.4	650	7.80	65000	4	51.5	160
GD121225EB	2BALL	12	7~13.2	4100	169.5	12.0	950	11.40	65000	3	55.0	160
GD121225UB	2BALL	12	7~13.2	4600	190.2	16.2	1300	15.60	65000	2	57.5	160
GD121225SB	2BALL	12	7~13.2	5200	208.4	18.0	1900	22.80	60000	1	59.5	160
GD241225LB	2BALL	24	12~26.4	1800	73.0	2.6	100	2.40	80000	8	34.0	160
GD241225MB	2BALL	24	12~26.4	2200	87.8	3.9	160	3.84	80000	7	40.5	160
GD241225HB	2BALL	24	12~26.4	2600	106.1	5.8	280	6.72	75000	6	44.0	160
GD241225EB	2BALL	24	12~26.4	3000	123.1	7.6	360	8.64	65000	5	49.0	160
GD241225EB	2BALL	24	12~26.4	3500	144.6	8.4	380	9.12	65000	4	51.5	160
GD241225EB	2BALL	24	12~26.4	4100	169.5	12.0	600	14.4	65000	3	55.0	160
GD241225UB	2BALL	24	12~26.4	4600	190.2	16.2	660	15.84	65000	2	57.5	160
GD241225SB	2BALL	24	12~26.4	5200	208.4	18.0	1000	24.0	60000	1	59.5	160
GD481225LB	2BALL	48	24~56.0	1800	73.0	2.6	70	3.36	80000	8	34.0	160
GD481225MB	2BALL	48	24~56.0	2200	87.8	3.9	75	3.60	80000	7	40.5	160
GD481225HB	2BALL	48	24~56.0	2600	106.1	5.8	130	6.24	75000	6	44.0	160
GD481225EB	2BALL	48	24~56.0	3000	123.1	7.6	190	9.12	65000	5	49.0	160
GD481225EB	2BALL	48	24~56.0	3500	144.6	8.4	200	9.60	65000	4	51.5	160
GD481225UB	2BALL	48	24~56.0	4600	190.2	16.2	330	15.84	65000	2	57.5	160
GD481225SB	2BALL	48	24~56.0	5200	208.4	18.0	520	24.96	60000	1	59.5	160

GULF ELECTRICS CO., LTD

Latest Product Information: www.gulf.com.tw/en
+886-7-5219966 ; service@gulf.com.tw





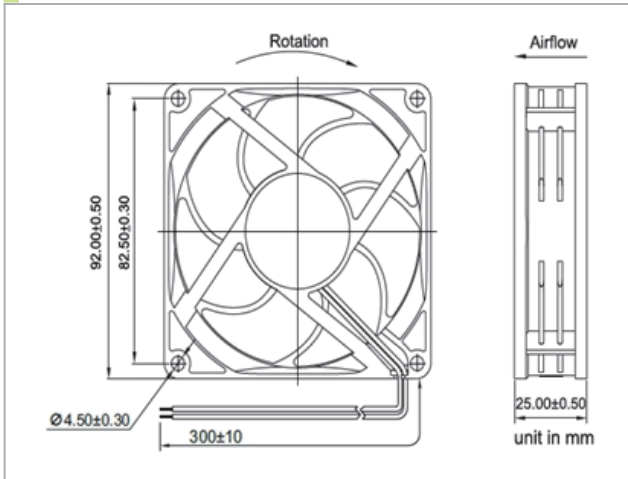
92X92X25mm



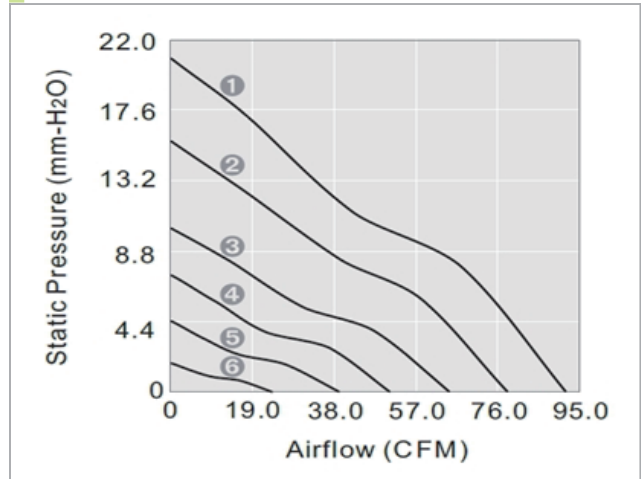
General Specifications

Airflow	25.9~92.5 CFM
Static Pressure	2.1~20.7 mm-H ₂ O
Housing	Plastic Material UL 94V-0 P.B.T.
Blade	Plastic Material UL 94V-0 P.B.T.
Lead Wire	UL1007 #24 AWG

Dimensions:mm



Performance



Specifications

Model NO.	Bearing	Rated Voltage VDC	Operating Voltage Range VDC	Speed RPM	Airflow CFM	Static Pressure mm-H ₂ O	Current mA	Power W	Life at 40 C L10 HOUR	P-Q Curve	Noise dBA	Weight g
GD129225LB-Q	2BALL	12	7~13.2	2000	25.9	2.1	35	0.42	80000	6	16.7	117.0
GD129225MB-Q	2BALL	12	7~13.2	3000	39.6	4.6	85	1.02	80000	5	28.2	117.0
GD129225HB-Q	2BALL	12	7~13.2	4000	50.3	6.9	145	1.74	75000	4	35.0	117.0
GD129225EB-Q	2BALL	12	7~13.2	5000	64.8	10.3	300	3.60	65000	3	41.3	117.0
GD129225UB-Q	2BALL	12	7~13.2	6000	78.3	15.7	490	5.88	65000	2	46.5	117.0
GD129225SB-Q	2BALL	12	7~13.2	7000	92.5	20.7	750	9.00	60000	1	50.3	117.0
GD249225LB-Q	2BALL	24	12~26.4	2000	25.9	2.1	45	1.08	80000	6	16.7	117.0
GD249225MB-Q	2BALL	24	12~26.4	3000	39.6	4.6	70	1.68	80000	5	28.2	117.0
GD249225HB-Q	2BALL	24	12~26.4	4000	50.3	6.9	100	2.40	75000	4	35.0	117.0
GD249225EB-Q	2BALL	24	12~26.4	5000	64.8	10.3	160	3.84	65000	3	41.3	117.0
GD249225UB-Q	2BALL	24	12~26.4	6000	78.3	15.7	230	5.52	65000	2	46.5	117.0
GD249225SB-Q	2BALL	24	12~26.4	7000	92.5	20.7	340	8.16	60000	1	50.3	117.0
GD489225LB-Q	2BALL	48	24~56.0	2000	25.9	2.1	35	1.68	80000	6	16.7	117.0
GD489225MB-Q	2BALL	48	24~56.0	3000	39.6	4.6	45	2.16	80000	5	28.2	117.0
GD489225HB-Q	2BALL	48	24~56.0	4000	50.3	6.9	70	3.36	75000	4	35.0	117.0
GD489225EB-Q	2BALL	48	24~56.0	5000	64.8	10.3	90	4.32	65000	3	41.3	117.0
GD489225UB-Q	2BALL	48	24~56.0	6000	78.3	15.7	130	6.24	65000	2	46.5	117.0
GD489225SB-Q	2BALL	48	24~56.0	7000	92.5	20.7	180	8.64	60000	1	50.3	117.0

GULF ELECTRICS CO., LTD

Latest Product Information: www.gulf.com.tw/en

+886-7-5219966 ; service@gulf.com.tw





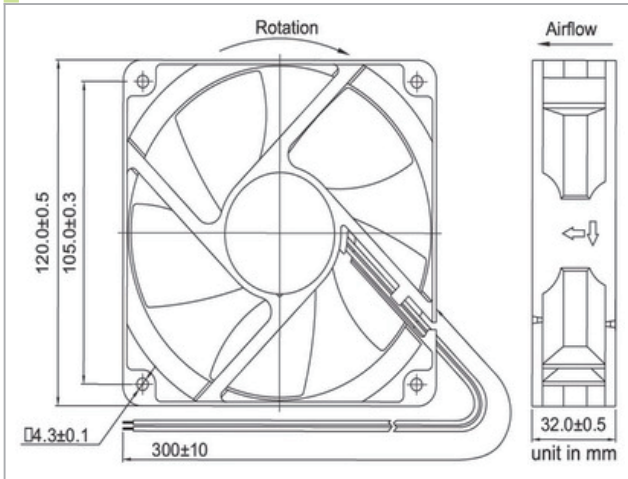
120X120X32mm



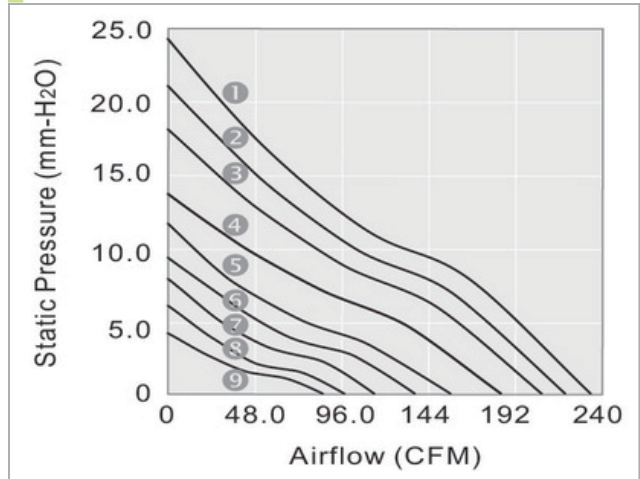
General Specifications

Airflow	87.7~234.3 CFM
Static Pressure	4.2~24.4 mm-H ₂ O
Blade	Plastic Material UL 94V-0 P.B.T.
Frame	Plastic Material UL 94V-0 P.B.T.
Lead Wire	UL1007 #22 AWG

Dimensions:mm



Performance



Specifications

Model NO.	Bearing	Rated Voltage VDC	Operating Voltage Range VDC	Speed RPM	Airflow CFM	Static Pressure mm-H ₂ O	Current mA	Power W	Life at 40 C L10 HOUR	P-Q Curve	Noise dBA	Weight g
GD121232LB	2BALL	12	7~13.2	2100	87.7	4.2	330	3.96	80000	9	39.0	219
GD121232MB	2BALL	12	7~13.2	2500	99.3	6.1	450	5.40	80000	8	42.5	219
GD121232HB	2BALL	12	7~13.2	2900	115.0	8.0	580	6.96	75000	7	47.5	219
GD121232EB	2BALL	12	7~13.2	3300	137.3	9.4	840	10.08	65000	6	49.0	219
GD121232EB	2BALL	12	7~13.2	3500	157.7	11.8	700	8.40	65000	5	55.0	219
GD121232EB	2BALL	12	7~13.2	4100	184.8	13.8	1100	13.20	65000	4	58.5	219
GD121232UB	2BALL	12	7~13.2	4600	207.3	18.2	1600	19.20	65000	3	61.0	219
GD121232SB	2BALL	12	7~13.2	4900	220.8	21.2	2200	26.40	60000	2	62.0	219
GD241232LB	2BALL	24	12~26.4	2100	87.7	4.2	150	3.60	80000	9	39.0	219
GD241232MB	2BALL	24	12~26.4	2500	99.3	6.1	200	4.80	80000	8	42.5	219
GD241232HB	2BALL	24	12~26.4	2900	115.0	8.0	290	6.96	75000	7	47.5	219
GD241225EB	2BALL	24	12~26.4	3500	157.7	11.8	360	8.64	65000	5	55.0	219
GD241232UB	2BALL	24	12~26.4	4600	207.3	18.2	750	18.00	65000	3	61.0	219
GD241232SB	2BALL	24	12~26.4	5200	234.3	24.4	1000	24.00	60000	1	63.5	219
GD481232LB	2BALL	48	24~56.0	2100	83.3	4.3	90	4.32	80000	9	39.5	219
GD481232MB	2BALL	48	24~56.0	2500	99.3	6.1	130	6.24	80000	8	42.5	219
GD481232HB	2BALL	48	24~56.0	2900	115.0	8.0	190	9.12	75000	7	47.0	219
GD481232EB	2BALL	48	24~56.0	3500	157.7	11.8	210	10.08	65000	5	55.0	219
GD481232UB	2BALL	48	24~56.0	4600	207.3	18.2	450	21.60	65000	3	61.0	219
GD481232SB	2BALL	48	24~56.0	5200	234.3	24.4	600	28.80	60000	1	63.5	219

GULF ELECTRICS CO., LTD

Latest Product Information: www.gulf.com.tw/en

+886-7-5219966 ; service@gulf.com.tw





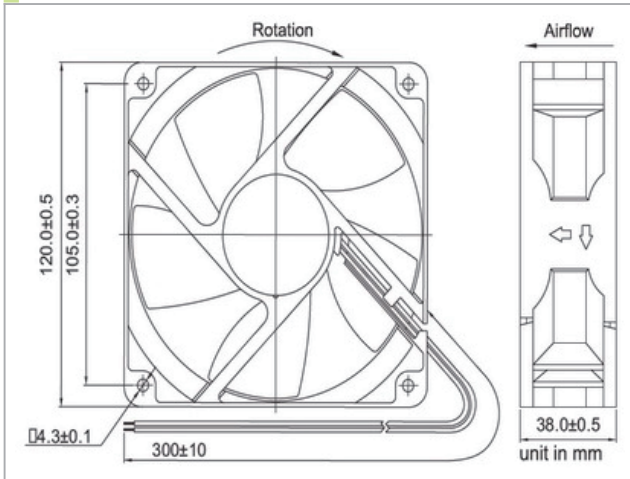
120X120X38mm



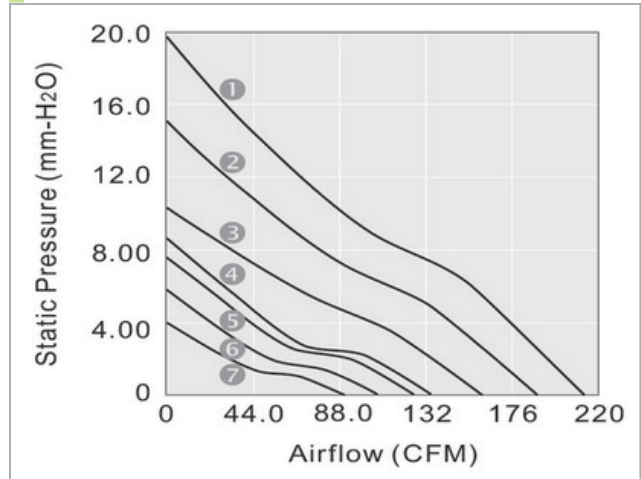
General Specifications

Airflow	89.5~212.6 CFM
Static Pressure	3.9~19.8 mm-H ₂ O
Housing	Plastic Material UL 94V-0 P.B.T.
Blade	Plastic Material UL 94V-0 P.B.T.
Lead Wire	UL1007 #22 AWG

Dimensions:mm



Performance



Specifications

Model NO.	Bearing	Rated Voltage	Operating Voltage Range	Speed	Airflow	Static Pressure	Current	Power	Life at 40 C L10	P-Q Curve	Noise	Weight
		VDC	VDC	RPM	CFM	mm-H ₂ O	mA	W	HOUR		dBa	g
GD121238LB	2BALL	12	7~13.2	2000	89.5	3.9	320	3.84	80000	7	36.0	220
GD121238MB	2BALL	12	7~13.2	2400	107.0	5.8	400	4.80	80000	6	41.0	220
GD121238HB	2BALL	12	7~13.2	2800	125.5	7.6	660	7.92	75000	5	45.0	220
GD121238EB	2BALL	12	7~13.2	3000	135.0	8.6	830	9.96	65000	4	47.0	220
GD121238EB	2BALL	12	7~13.2	3500	161.1	10.4	750	9.00	65000	3	55.5	220
GD121238EB	2BALL	12	7~13.2	4100	189.2	15.1	1250	15.00	65000	2	59.0	220
GD121238UB	2BALL	12	7~13.2	4600	212.6	19.8	1750	21.00	65000	1	61.5	220
GD241238LB	2BALL	24	12~26.4	2000	89.5	3.9	150	3.60	80000	7	36.0	220
GD241238MB	2BALL	24	12~26.4	2400	107.0	5.8	250	6.00	80000	6	41.0	220
GD241238HB	2BALL	24	12~26.4	2800	125.5	7.6	310	7.44	75000	5	45.0	220
GD241238EB	2BALL	24	12~26.4	3000	135.0	8.6	410	9.84	65000	4	47.0	220
GD241238EB	2BALL	24	12~26.4	3500	161.1	10.4	410	9.84	75000	3	55.5	220
GD241238EB	2BALL	24	12~26.4	4100	189.2	15.1	620	14.88	65000	2	59.0	220
GD241238UB	2BALL	24	12~26.4	4600	212.6	19.8	860	20.64	65000	1	61.5	220
GD481238LB	2BALL	48	24~56.0	2000	89.5	3.9	120	5.76	80000	7	36.0	220
GD481238MB	2BALL	48	24~56.0	2400	107.0	5.8	140	6.72	80000	6	41.0	220
GD481238HB	2BALL	48	24~56.0	2800	125.5	7.6	180	8.64	75000	5	45.0	220
GD481238EB	2BALL	48	24~56.0	3000	135.0	8.6	210	10.08	65000	4	47.0	220
GD481238EB	2BALL	48	24~56.0	3500	161.1	10.4	210	11.52	65000	3	55.5	220
GD481238EB	2BALL	48	24~56.0	4100	189.2	15.1	340	16.32	65000	2	59.0	220
GD481238UB	2BALL	48	24~56.0	4600	212.6	19.8	470	22.56	60000	1	61.5	220

GULF ELECTRICS CO., LTD

Latest Product Information: www.gulf.com.tw/en

+886-7-5219966 ; service@gulf.com.tw





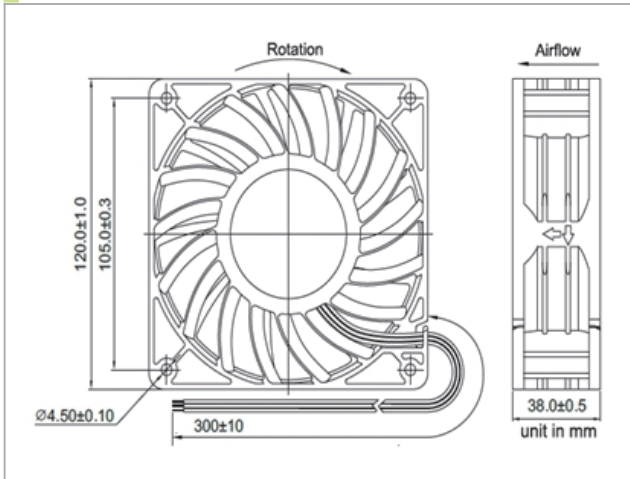
120X120X38mm



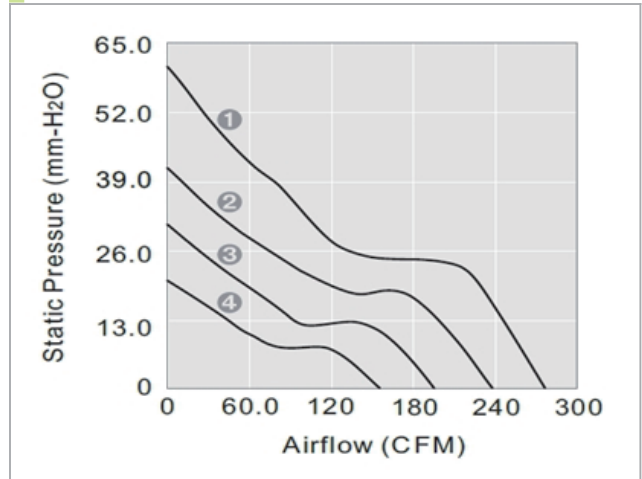
General Specifications

Airflow	155.8~275.9 CFM
Static Pressure	19.3~60.4 mm-H ₂ O
Housing	Plastic Material UL 94V-0 P.B.T.
Blade	Plastic Material UL 94V-0 P.B.T.
Lead Wire	UL1007 #22 AWG

Dimensions:mm



Performance



Specifications

Model NO.	Bearing	Rated Voltage VDC	Operating Voltage Range VDC	Speed RPM	Airflow CFM	Static Pressure mm-H ₂ O	Current mA	Power W	Life at 40 C L10	P-Q Curve	Noise dBA	Weight g
GD121238LB-E	2BALL	12	7~13.2	4000	155.8	19.3	1200	14.40	80000	4	54.0	425
GD121238MB-E	2BALL	12	7~13.2	5000	194.0	30.8	2200	26.40	75000	3	60.4	425
GD121238HB-E	2BALL	12	7~13.2	6000	236.4	48.1	3500	42.00	65000	2	64.9	425
GD241238LB-E	2BALL	24	12~30	4000	155.8	19.3	680	16.32	80000	4	54.0	425
GD241238MB-E	2BALL	24	12~30	5000	194.0	30.8	950	22.80	75000	3	60.4	425
GD241238HB-E	2BALL	24	12~30	6000	235.4	41.5	1700	40.80	65000	2	64.9	425
GD241238EB-E	2BALL	24	12~30	7000	275.9	60.4	2700	64.80	65000	1	69.2	425
GD481238LB-E	2BALL	48	35~60.0	4000	155.8	19.3	370	17.76	80000	4	54.0	425
GD481238MB-E	2BALL	48	35~60.0	5000	194.0	30.8	550	26.40	75000	3	60.4	425
GD481238HB-E	2BALL	48	35~60.0	6000	235.4	41.5	800	38.40	65000	2	64.9	425
GD481238EB-E	2BALL	48	35~60.0	7000	275.9	60.4	1300	62.40	65000	1	69.2	425

GULF ELECTRICS CO., LTD

Latest Product Information: www.gulf.com.tw/en
+886-7-5219966 ; service@gulf.com.tw





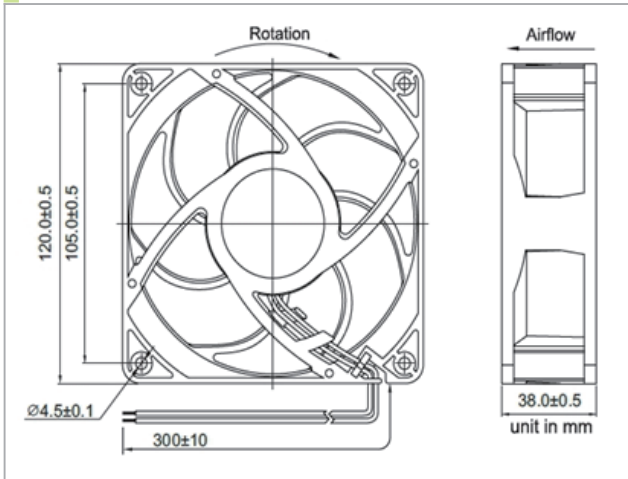
120X120X38mm



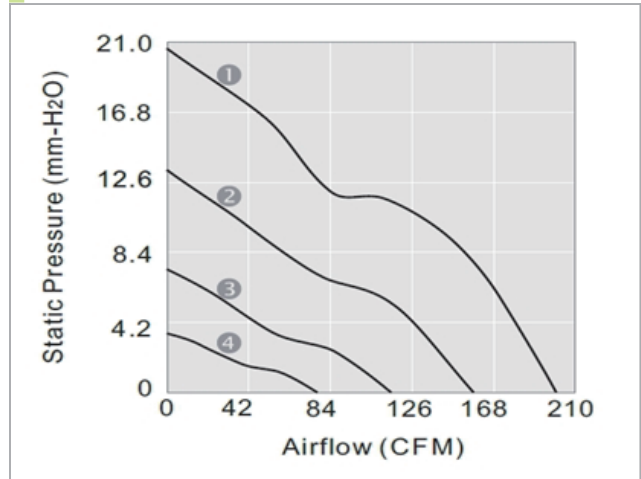
General Specifications

Airflow	77.9~200.7 CFM
Static Pressure	3.6~20.6 mm-H2O
Housing	Plastic Material UL 94V-0 P.B.T.
Blade	Plastic Material UL 94V-0 P.B.T.
Lead Wire	UL1007 #24 AWG

Dimensions:mm



Performance



Specifications

Model NO.	Bearing	Rated Voltage VDC	Operating Voltage Range VDC	Speed RPM	Airflow CFM	Static Pressure mm-H2O	Current mA	Power W	Life at 40 C L10 HOUR	P-Q Curve	Noise dBA	Weight g
GD121238LB-Q	2BALL	12	7~13.2	2000	77.9	3.6	150	1.80	80000	4	31.4	276
GD121238MB-Q	2BALL	12	7~13.2	3000	115.3	7.4	330	3.96	80000	3	43.3	276
GD121238HB-Q	2BALL	12	7~13.2	4000	158.1	13.3	750	9.00	75000	2	52.0	276
GD121238EB-Q	2BALL	12	7~13.2	5000	200.7	20.6	1600	19.20	65000	1	57.4	276
GD241238LB-Q	2BALL	24	12~26.4	2000	77.9	3.6	100	2.40	80000	4	31.4	276
GD241238MB-Q	2BALL	24	12~26.4	3000	115.3	7.4	200	4.80	80000	3	43.3	276
GD241238HB-Q	2BALL	24	12~26.4	4000	158.1	13.3	360	8.64	75000	2	52.0	276
GD241238EB-Q	2BALL	24	12~26.4	5000	200.7	20.6	750	18.00	65000	1	57.4	276
GD481238LB-Q	2BALL	48	24~56.0	2000	77.9	3.6	70	3.36	80000	4	31.4	276
GD481238MB-Q	2BALL	48	24~56.0	3000	115.3	7.4	120	5.76	80000	3	43.3	276
GD481238HB-Q	2BALL	48	24~56.0	4000	158.1	13.3	200	9.60	75000	2	52.0	276
GD481238EB-Q	2BALL	48	24~56.0	5000	200.7	20.6	380	18.24	65000	1	57.4	276

GULF ELECTRICS CO., LTD

Latest Product Information: www.gulf.com.tw/en

+886-7-5219966 ; service@gulf.com.tw





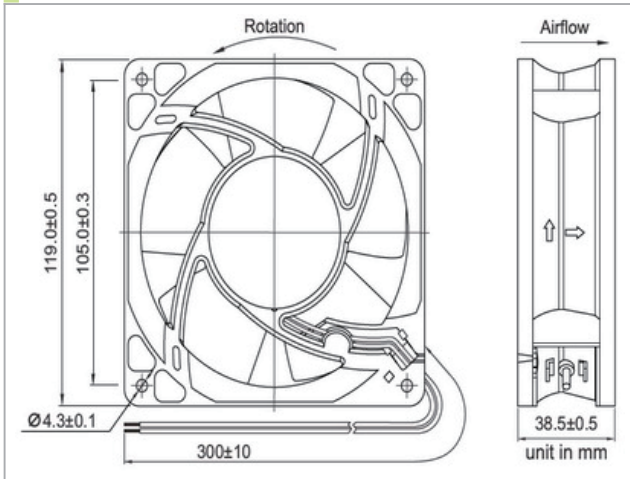
120X120X38mm



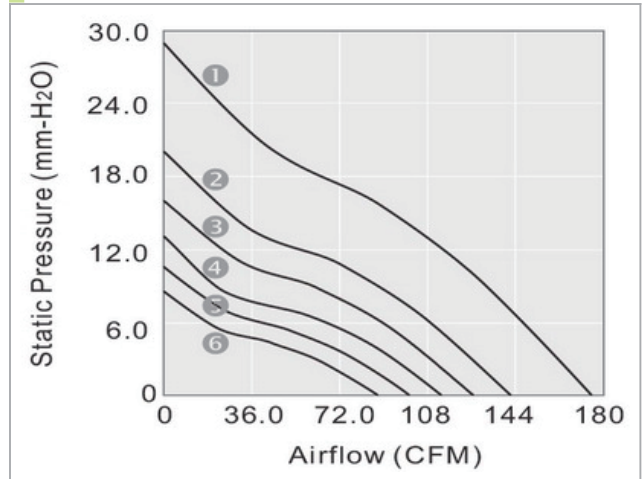
General Specifications

Airflow	88.0~142.0 CFM
Static Pressure	8.4~20.0 mm-H ₂ O
Housing	Plastic Material UL 94V-0 P.B.T.
Blade	Plastic Material UL 94V-0 P.B.T.
Lead Wire	UL1007 #22 AWG

Dimensions:mm



Performance



Specifications

Model NO.	Bearing	Rated Voltage VDC	Operating Voltage Range VDC	Speed RPM	Airflow CFM	Static Pressure mm-H ₂ O	Current mA	Power W	Life at 40 C L10 HOUR	P-Q Curve	Noise dBA	Weight g
GD121238LB-R	2BALL	12	7~13.2	2800	88.0	8.4	270	3.24	80000	5	45.5	396.8
GD121238MB-R	2BALL	12	7~13.2	3200	100.9	10.5	360	4.32	80000	4	47.0	396.8
GD121238HB-R	2BALL	12	7~13.2	3600	113.9	13.0	520	6.24	75000	3	51.0	396.8
GD121238EB-R	2BALL	12	7~13.2	4000	127.0	16.0	700	8.40	65000	2	55.0	396.8
GD121238EB-R	2BALL	12	7~13.2	4500	142.0	20.2	950	11.40	65000	1	58.5	396.8
GD241238LB-R	2BALL	24	12~26.4	2800	88.0	8.4	145	3.48	80000	5	45.5	396.8
GD241238MB-R	2BALL	24	12~26.4	3200	100.9	10.5	195	4.68	80000	4	47.0	396.8
GD241238HB-R	2BALL	24	12~26.4	3600	113.9	13.0	270	6.48	75000	3	51.0	396.8
GD241238EB-R	2BALL	24	12~26.4	4000	127.0	16.0	370	8.88	65000	2	55.0	396.8
GD241238EB-R	2BALL	24	12~26.4	4500	142.0	20.2	520	12.48	65000	1	58.5	396.8
GD481238LB-R	2BALL	48	24~56.0	2800	88.0	8.4	100	4.80	80000	5	45.5	396.8
GD481238MB-R	2BALL	48	24~56.0	3200	100.9	10.5	130	6.24	80000	4	47.0	396.8
GD481238HB-R	2BALL	48	24~56.0	3600	113.9	13.0	170	8.16	75000	3	51.0	396.8
GD481238EB-R	2BALL	48	24~56.0	4000	127.0	16.0	200	9.60	65000	2	55.0	396.8
GD481238EB-R	2BALL	48	24~56.0	4500	142.0	20.0	270	12.96	65000	1	58.5	396.8
GD481238EB-R	2BALL	48	24~56.0	5500	174.7	28.9	560	26.88	65000	1	65.0	250.0

GULF ELECTRICS CO., LTD

Latest Product Information: www.gulf.com.tw/en

+886-7-5219966 ; service@gulf.com.tw





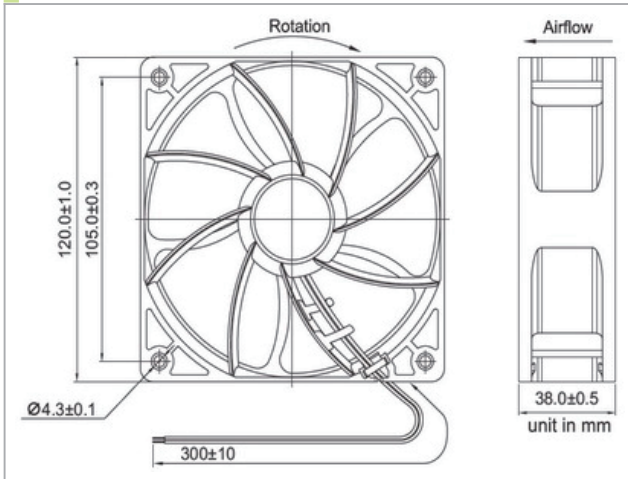
120X120X38mm



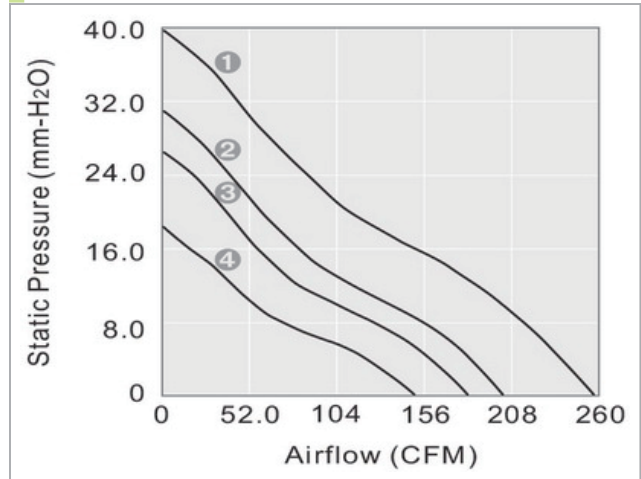
General Specifications

Airflow	149.7~256.5 CFM
Static Pressure	18.3~39.9 mm-H ₂ O
Housing	Plastic Material UL 94V-0 P.B.T.
Blade	Plastic Material UL 94V-0 P.B.T.
Lead Wire	UL1007 #24 AWG

Dimensions:mm



Performance



Specifications

Model NO.	Bearing	Rated Voltage VDC	Operating Voltage Range VDC	Speed RPM	Airflow CFM	Static Pressure mm-H ₂ O	Current mA	Power W	Life at 40°C L10 HOUR	P-Q Curve	Noise dBA	Weight g
GD121238LB-S	2BALL	12	7~13.2	5000	149.7	18.3	600	7.20	60000	4	61.8	252.5
GD121238MB-S	2BALL	12	7~13.2	6000	182.2	26.6	900	10.80	60000	3	63.5	252.5
GD121238HB-S	2BALL	12	7~13.2	7000	203.2	31.1	1150	13.80	60000	2	64.7	252.5
GD121238EB-S	2BALL	12	7~13.2	8500	237.5	39.9	2200	26.40	60000	1	69.1	252.5
GD241238LB-S	2BALL	24	11~28.0	5000	149.7	18.3	300	7.20	60000	4	61.8	252.5
GD241238MB-S	2BALL	24	11~28.0	6000	182.2	26.6	450	10.80	60000	3	63.5	252.5
GD241238HB-S	2BALL	24	11~28.0	7000	203.2	31.1	700	16.80	60000	2	64.7	252.5
GD241238EB-S	2BALL	24	11~28.0	8500	237.5	39.9	1100	26.40	60000	1	69.1	252.5
GD481238LB-S	2BALL	48	36~56.0	5000	149.7	18.3	170	8.16	60000	4	61.8	252.5
GD481238MB-S	2BALL	48	36~56.0	6000	182.2	26.6	250	12.00	60000	3	63.5	252.5
GD481238HB-S	2BALL	48	36~56.0	7000	203.2	31.1	360	17.28	60000	2	64.7	252.5
GD481238EB-S	2BALL	48	36~56.0	8500	237.5	39.9	600	28.80	60000	1	69.1	252.5

GULF ELECTRICS CO., LTD

Latest Product Information: www.gulf.com.tw/en

+886-7-5219966 ; service@gulf.com.tw





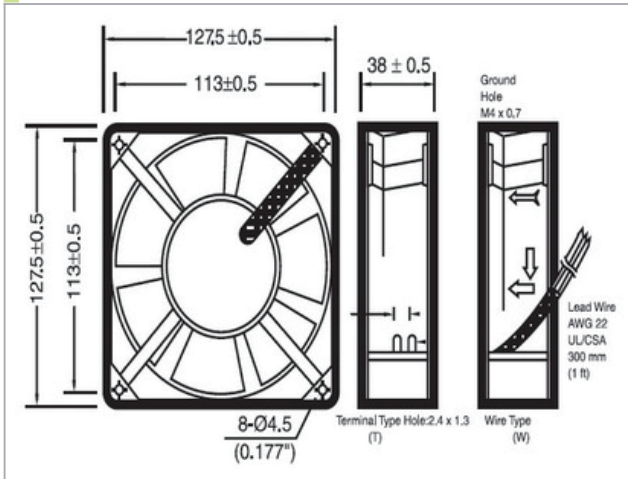
127X127X38mm



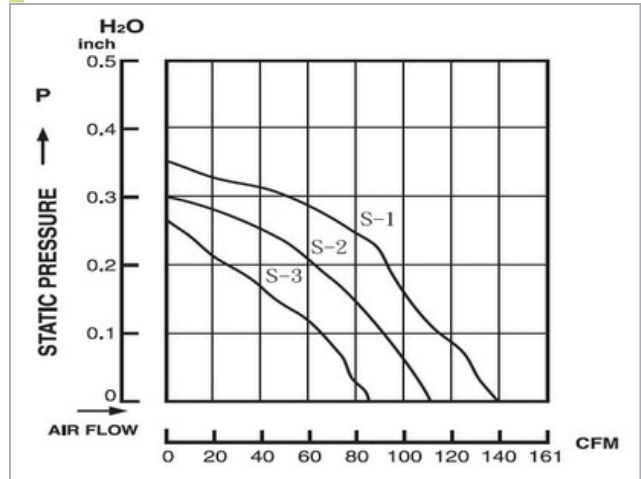
General Specifications

Airflow	85~140 CFM
Static Pressure	0.28~0.35 Inch-H ₂ O
Blade	Plastic Material UL 94V-0 P.B.T.
Frame	Die Cast Aluminum Painted Black
Lead Wire	UL1007 #22 AWG

Dimensions:mm



Performance



Specifications

Model NO.	Bearing	Rated Voltage	Speed	Airflow		Static Pressure	Current	Power	Noise
		VDC		RPM	CFM	Inch-H ₂ O			
GD1212738HB	2BALL	12	3000	140		0.35	0.48	5.76	45
GD1212738MB	2BALL	12	2500	110		0.30	0.35	4.2	38
GD1212738LB	2BALL	12	2000	85		0.28	0.25	3.00	32
GD2412738HB	2BALL	24	3000	140		0.35	0.33	7.92	45
GD2412738MB	2BALL	24	2500	110		0.30	0.25	6.00	38
GD2412738LB	2BALL	24	2000	85		0.28	0.20	4.80	32
GD4812738HB	2BALL	48	3000	140		0.35	0.25	12.00	45
GD4812738MB	2BALL	48	2500	110		0.30	0.22	10.56	38
GD4812738LB	2BALL	48	2000	85		0.28	0.18	8.64	32

GULF ELECTRICS CO., LTD

Latest Product Information: www.gulf.com.tw/en

+886-7-5219966 ; service@gulf.com.tw





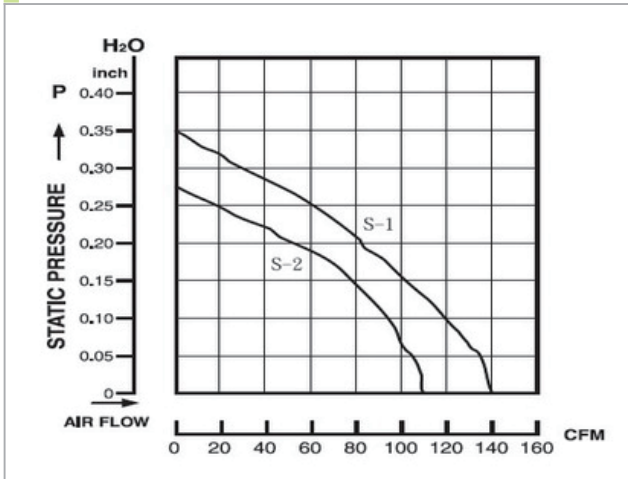
162X150X38mm



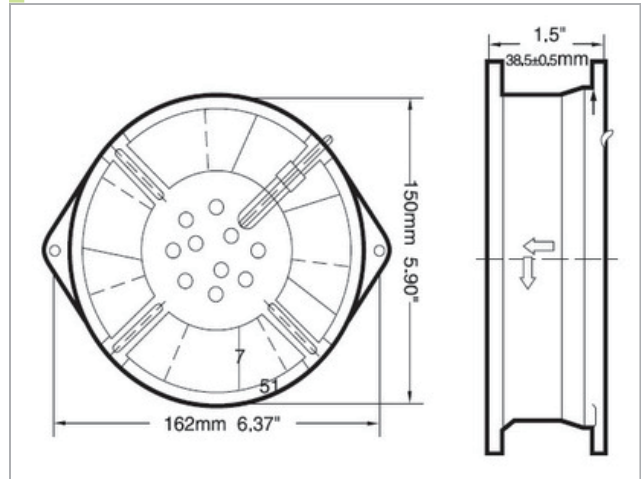
General Specifications

Airflow	110~140 CFM
Static Pressure	0.28~0.35 Inch-H2O
Blade/Housing	Plastic Material UL 94V-0 P.B.T.
Frame	Die-Casting Aluminum
Lead Wire	UL1007 #22 AWG

Dimensions:mm



Performace



Specifications

Model NO.	Rated Voltage	Speed	Airflow	Static Pressure	Current	Power	Noise
	VDC						
GD121638HB	12	2200	140	0.35	0.75	9.00	42
GD121638MB	12	1800	110	0.28	0.55	6.60	38
GD241638HB	24	2200	140	0.35	0.40	9.60	42
GD241638MB	24	1800	110	0.28	0.35	8.40	38
GD481638HB	48	2200	140	0.35	0.23	11.04	42
GD481638MB	48	1800	110	0.28	0.19	9.12	38

GULF ELECTRICS CO., LTD

Latest Product Information: www.gulf.com.tw/en
+886-7-5219966 ; service@gulf.com.tw





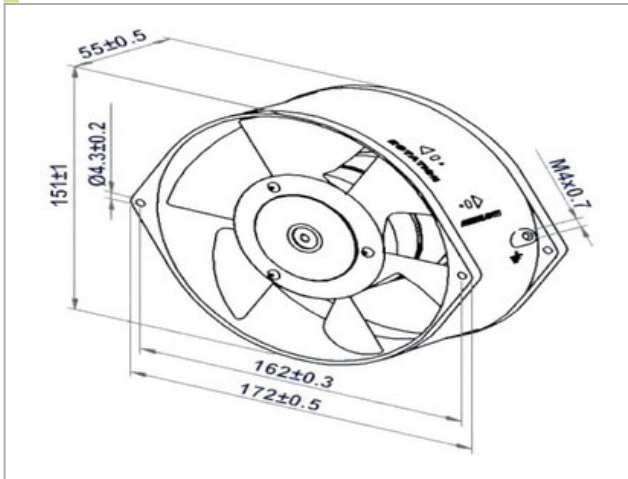
162X150X55mm



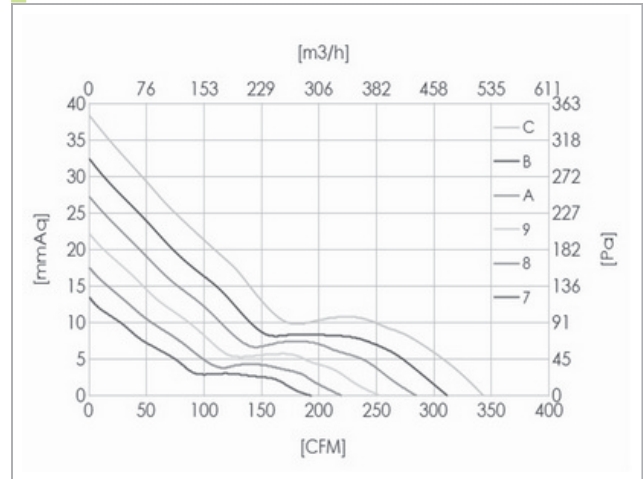
General Specifications

Housing	Aluminum
Impeller	Steel
Motor Type	DC Permanent Magnet Brushless
Connecting	Lesd Wire
Type of Protection	Insulation Class B, IP54

Dimensions:mm



Performace



Specifications

Model NO.	Bearing	Rated Voltage	Speed	Airflow	Static Pressure	Current	P-Q Curve	Noise	Weight
		VDC	RPM	CFM	mmAq	A		dBA	g
GD121655LB-S	2BALL	12	2800	195	12.1	1.17	7	59	1040
GD121655MB-S	2BALL	12	3200	230	15.9	1.60	8	62	1040
GD121655HB-S	2BALL	12	3600	260	20.5	2.39	9	65	1040
GD121655EB-S	2BALL	12	4000	295	25.6	2.76	A	68	1040
GD241655LB-S	2BALL	24	2800	195	12.1	0.56	7	59	1040
GD241655MB-S	2BALL	24	3200	230	15.9	0.77	8	62	1040
GD241655HB-S	2BALL	24	3600	260	20.5	1.07	9	65	1040
GD241655EB-S	2BALL	24	4000	295	25.6	1.38	A	68	1040
GD241655UB-S	2BALL	24	4400	325	30.7	1.80	B	71	1040
GD241655XB-S	2BALL	24	4800	345	35.7	2.30	C	74	1040
GD481655LB-S	2BALL	48	2800	195	12.1	0.28	7	59	1040
GD481655MB-S	2BALL	48	3200	230	15.9	0.39	8	62	1040
GD481655HB-S	2BALL	48	3600	260	20.5	0.51	9	65	1040
GD481655EB-S	2BALL	48	4000	295	25.6	0.69	A	68	1040
GD481655UB-S	2BALL	48	4400	325	30.7	0.90	B	71	1040
GD481655XB-S	2BALL	48	4800	345	35.7	1.18	C	74	1040

GULF ELECTRICS CO., LTD

Latest Product Information: www.gulf.com.tw/en
+886-7-5219966 ; service@gulf.com.tw





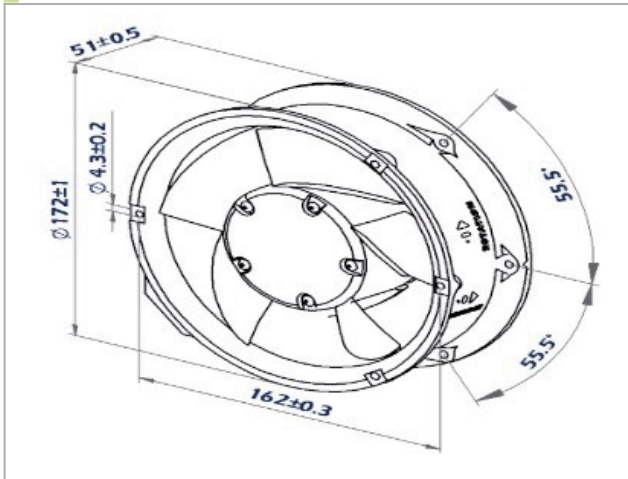
172ØX51mm



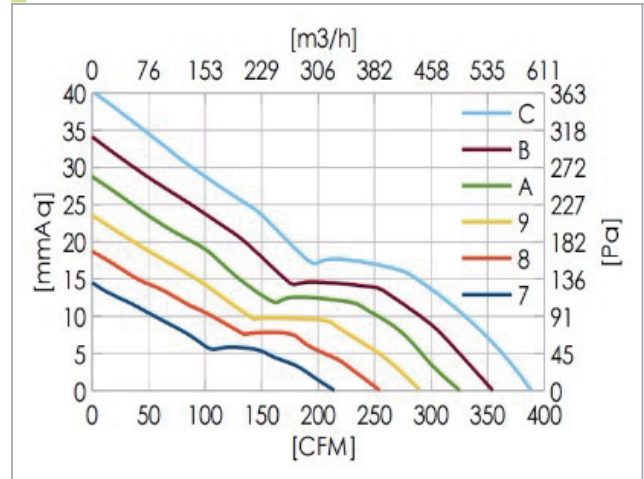
General Specifications

Housing	Aluminum
Impeller	Plastic
Motor Type	DC Permanent Magnet Brushless
Connecting	Lead wire
Type of Protection	Insulation Class B, IP54

Dimensions:mm



Performance



Specifications

Model NO.	Bearing	Rated Voltage	Speed	Airflow	Static Pressure	Current	P-Q Curve	Noise	Weight
		VDC	RPM	CFM	mmAq	A		dBA	g
GD1217251LB-S (R)	2BALL	12	2800	220	14.5	1.31	7	52	1070
GD1217251MB-S (R)	2BALL	12	3200	255	18.7	1.88	8	56	1070
GD1217251HB-S (R)	2BALL	12	3600	290	23.5	2.75	9	60	1070
GD1217251EB-S (R)	2BALL	12	4000	325	28.8	3.73	A	64	1070
GD2417251LB-S (R)	2BALL	24	2800	220	14.5	0.65	7	52	1070
GD2417251MB-S (R)	2BALL	24	3200	255	18.7	0.89	8	56	1070
GD2417251HB-S (R)	2BALL	24	3600	290	23.5	1.21	9	60	1070
GD2417251EB-S (R)	2BALL	24	4000	325	28.8	1.69	A	64	1070
GD2417251UB-S (R)	2BALL	24	4400	355	34.1	2.41	B	68	1070
GD2417251XB-S (R)	2BALL	24	4800	390	40.3	2.94	C	72	1070
GD4817251LB-S (R)	2BALL	48	2800	220	14.5	0.33	7	52	1070
GD4817251MB-S (R)	2BALL	48	3200	255	18.7	0.45	8	56	1070
GD4817251HB-S (R)	2BALL	48	3600	290	23.5	0.60	9	60	1070
GD4817251EB-S (R)	2BALL	48	4000	325	28.8	0.79	A	64	1070
GD4817251UB-S (R)	2BALL	48	4400	355	34.1	1.15	B	68	1070
GD4817251XB-S (R)	2BALL	48	4800	390	40.3	1.48	C	72	1070

GULF ELECTRICS CO., LTD

Latest Product Information: www.gulf.com.tw/en

+886-7-5219966 ; service@gulf.com.tw





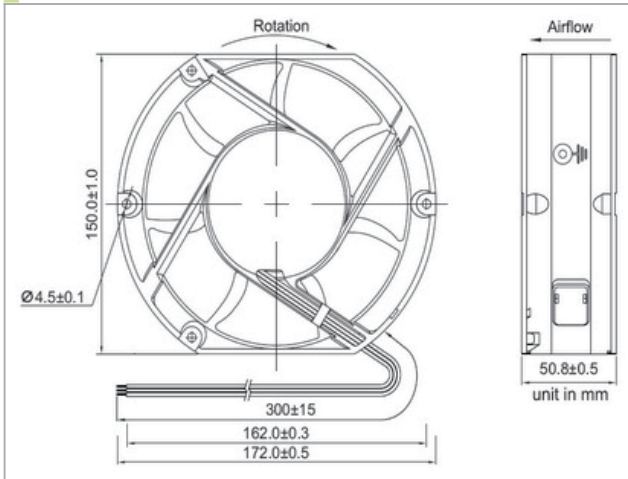
172X150x51mm



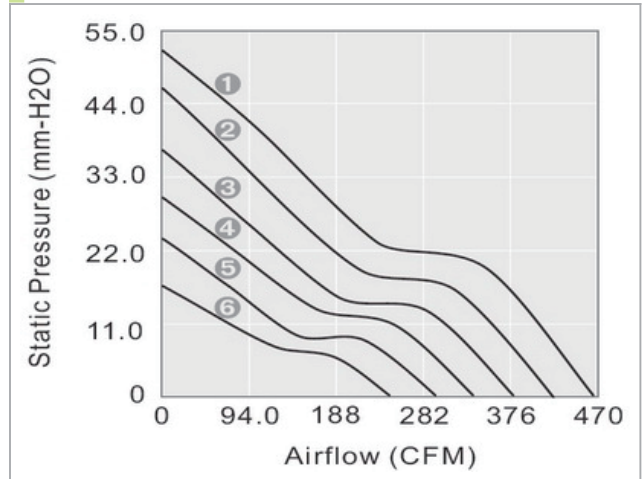
General Specifications

Airflow	247.5~464.0 CFM
Static Pressure	16.7~52.0 mm-H2O
Blade/Housing	Plastic Material UL 94V-0 P.B.T.
Frame	Die-Casting Aluminum
Lead Wire	UL1007 #22 AWG

Dimensions:mm



Performance



Specifications

Model NO.	Bearing	Rated Voltage VDC	Operating Voltage Range VDC	Speed RPM	Airflow CFM	Static Pressure mm-H2O	Current mA	Power W	Life at 40 C L10 HOUR	P-Q Curve	Noise dBA	Weight g
GD121751LB	2BALL	12	7~13.2	3000	247.5	16.7	1800	21.60	80000	6	57.2	1080
GD121751MB	2BALL	12	7~13.2	3500	294.4	23.7	2800	33.60	80000	5	62.1	1080
GD241751LB	2BALL	24	12~26.4	3000	247.5	16.7	850	20.40	80000	6	57.2	1080
GD241751MB	2BALL	24	12~26.4	3500	294.4	23.7	1250	30.00	80000	5	62.1	1080
GD241751HB	2BALL	24	12~26.4	4000	335.4	29.8	1850	40.40	75000	4	63.0	1080
GD241751EB	2BALL	24	12~26.4	4500	379.7	37.1	2700	64.80	65000	3	67.3	1080
GD481751LB	2BALL	48	24~56.0	3000	247.5	16.7	440	21.12	80000	6	57.2	1080
GD481751MB	2BALL	48	24~56.0	3500	294.4	23.7	650	31.20	80000	5	62.1	1080
GD481751HB	2BALL	48	24~56.0	4000	335.4	29.8	950	45.60	75000	4	63.0	1080
GD481751EB	2BALL	48	24~56.0	4500	379.7	37.1	1250	60.00	65000	3	67.3	1080
GD481751EB	2BALL	48	24~56.0	5000	419.9	46.3	1650	79.20	65000	2	71.1	1080
GD481751EB	2BALL	48	24~56.0	5500	464.0	52.0	2400	115.2	65000	1	73.1	1080

GULF ELECTRICS CO., LTD

Latest Product Information: www.gulf.com.tw/en
+886-7-5219966 ; service@gulf.com.tw





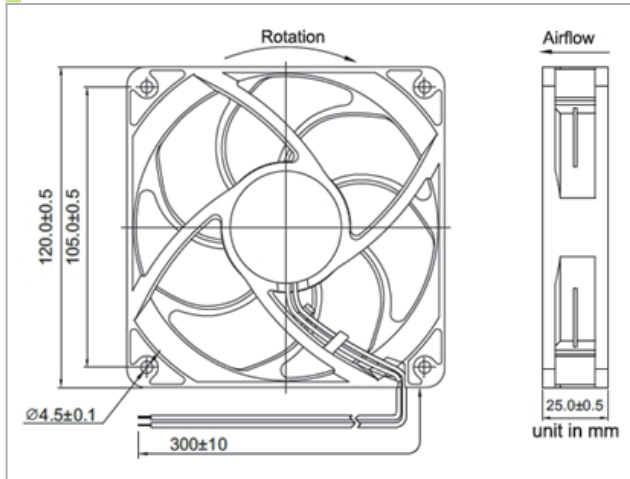
120X120X25mm



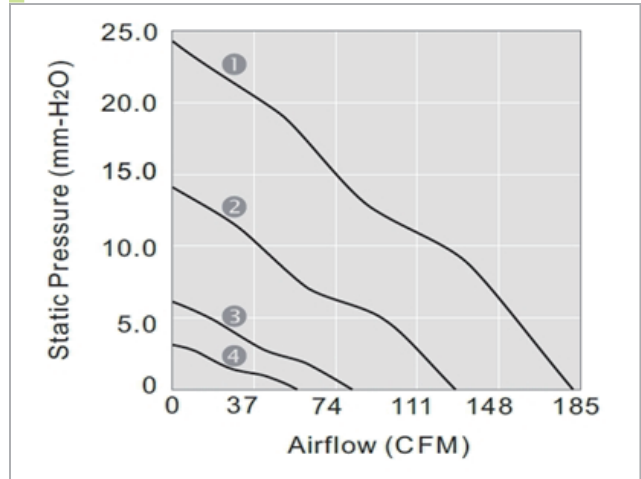
General Specifications

Airflow	56.5~181.0 CFM
Static Pressure	3.1~24.3 mm-H ₂ O
Blade	Plastic Material UL 94V-0 P.B.T.
Frame	Plastic Material UL 94V-0 P.B.T.
Lead Wire	UL1007 #22 AWG

Dimensions:mm



Performance



Specifications

Model NO.	Bearing	Rated Voltage VDC	Operating Voltage Range VDC	Speed RPM	Airflow CFM	Static Pressure mm-H ₂ O	Current mA	Power W	Life at 40°C L10 HOUR	P-Q Curve	Noise dBA	Weight g
GD121225LB-Q	2BALL	12	7~13.2	2000	56.5	3.1	130	1.56	80000	4	29.3	205
GD121225MB-Q	2BALL	12	7~13.2	2800	81.8	6.0	220	2.64	80000	3	39.1	205
GD121225HB-Q	2BALL	12	7~13.2	4400	127.9	14.1	550	6.60	75000	2	51.4	205
GD121225EB-Q	2BALL	12	7~13.2	6000	181.0	24.3	1300	15.60	65000	1	60.5	205
GD241225LB-Q	2BALL	24	12~26.4	2000	56.5	3.1	85	2.04	80000	4	29.3	205
GD241225MB-Q	2BALL	24	12~26.4	2800	81.8	6.0	130	3.12	80000	3	39.1	205
GD241225HB-Q	2BALL	24	12~26.4	4400	127.9	14.1	320	7.68	75000	2	51.4	205
GD241225EB-Q	2BALL	24	12~26.4	6000	181.0	24.3	700	16.8	65000	1	60.5	205
GD481225LB-Q	2BALL	48	24~56.0	2000	56.5	3.1	60	2.88	80000	4	29.3	205
GD481225MB-Q	2BALL	48	24~56.0	2800	81.8	6.0	85	4.08	80000	3	39.1	205
GD481225HB-Q	2BALL	48	24~56.0	4400	127.9	14.1	180	8.64	75000	2	51.4	205
GD481225EB-Q	2BALL	48	24~56.0	6000	181.0	24.3	400	19.20	65000	1	60.5	205

GULF ELECTRICS CO., LTD

Latest Product Information: www.gulf.com.tw/en

+886-7-5219966 ; service@gulf.com.tw





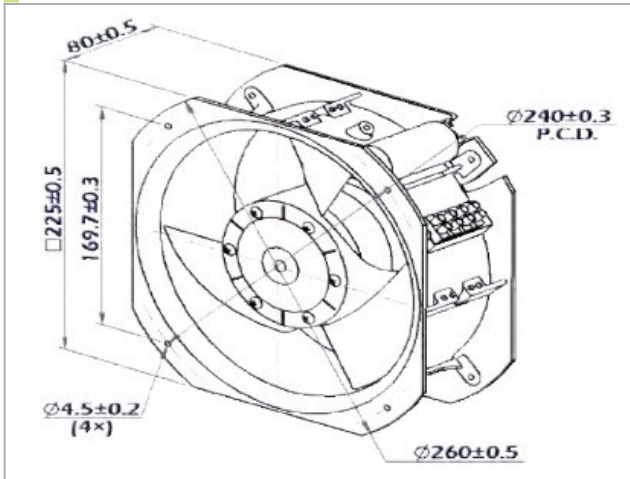
225X225X80mm



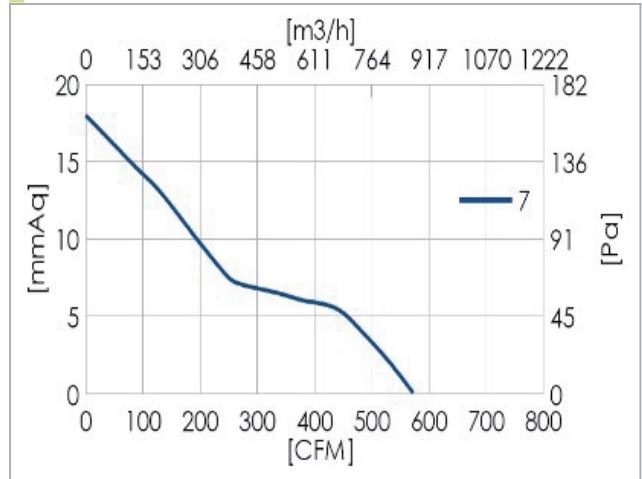
General Specifications

Housing	Aluminum
Impeller	Steel
Motor Type	DC Permanent Magnet Brushless
Connecting	Wire Leads
Type of Protection	Insulation Class B, IP54

Dimensions:mm



Performance



Specifications

Model NO.	Bearing	Rated Voltage VDC	Speed RPM	Airflow CFM	Static Pressure mmAq	Current A	Noise dBA	Weight g
GD2422580HB-S	2BALL	24	2800/2850	580	18	2.2	67	2530
GD4822580HB-S	2BALL	48	2800/2850	580	18	0.94	67	2530

GULF ELECTRICS CO., LTD

Latest Product Information: www.gulf.com.tw/en
+886-7-5219966 ; service@gulf.com.tw





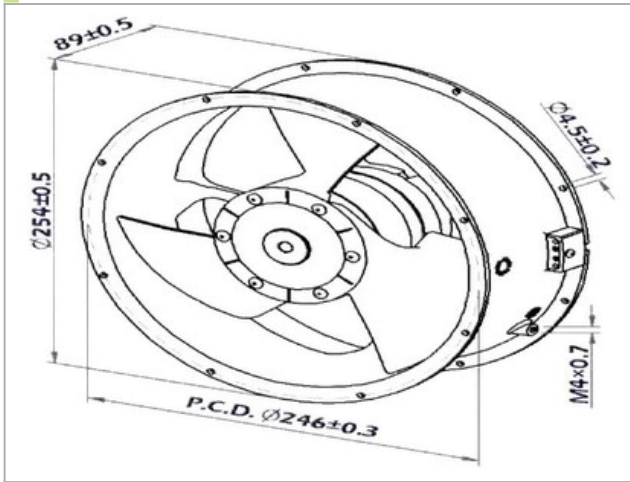
254Ø X89mm



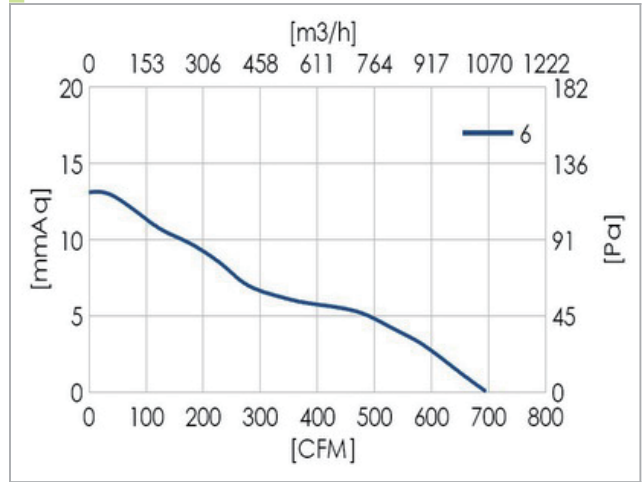
General Specifications

Housing	Aluminum
Impeller	Steel
Motor Type	DC Permanent Magnet Brushless
Connecting	Lesd Wire
Type of Protection	Insulation Class B, IP54

Dimensions:mm



Performace



Specifications

Model NO.	Bearing	Rated Voltage VDC	Speed RPM	Airflow CFM	Static Pressure mmAq	Current A	P-Q Curve	Noise dBA	Weight g
GD2425489HB-S	2BALL	24	2500	700	13.1	2.02	6	59	2550
GD4825489HB-S	2BALL	48	2500	700	13.1	1.36	6	59	2550

GULF ELECTRICS CO., LTD

Latest Product Information: www.gulf.com.tw/en

+886-7-5219966 ; service@gulf.com.tw





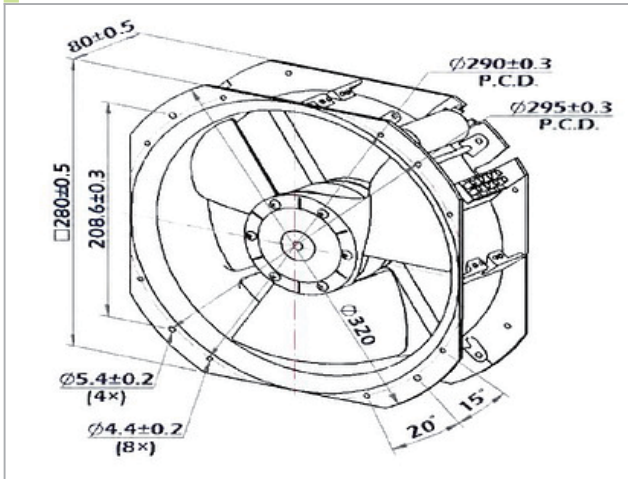
280X280X80mm



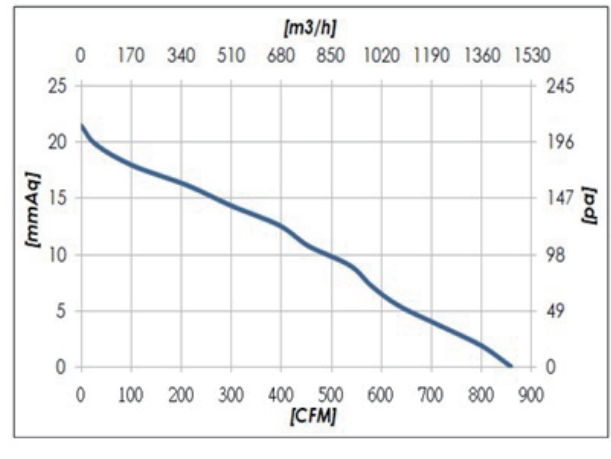
General Specifications

Housing	Aluminum
Impeller	Steel
Motor Type	DC Permanent Magnet Brushless
Connecting	Wire Leads
Type of Protection	Insulation Class B, IP54

Dimensions:mm



Performance



Specifications

Model NO.	Bearing	Rated Voltage VDC	Speed RPM	Airflow CFM	Static Pressure mmAq	Current A	Noise dBA	Weight g
GD2428080HB-S	2BALL	24	2300	860	21.5	3	65	3050
GD4828080HB-S	2BALL	48	2300	860	21.5	1.2	65	3050





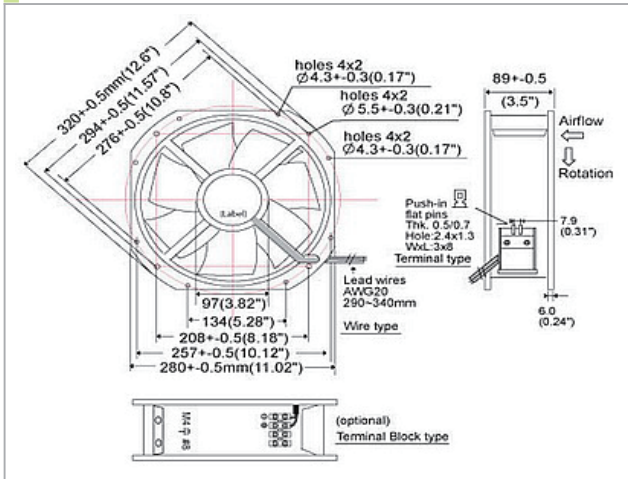
280X280X89mm



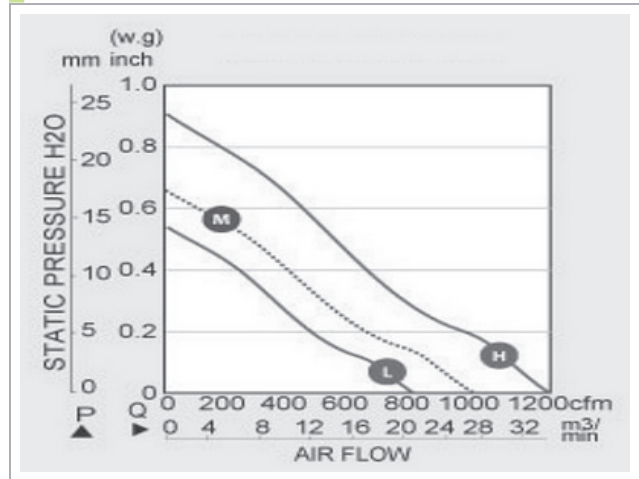
General Specifications

Housing	Aluminum
Impeller	Steel
Motor Type	DC Permanent Magnet Brushless
Connecting	Wire Leads
Type of Protection	Insulation Class B, IP54

Dimensions:mm



Performance



Specifications

Model NO.	Bearing	Rated Voltage	Operating Voltage Range	Speed	Airflow	Static Pressure	Current	Power	P-Q Curve	Noise
		VDC	VDC							
GD1228089HB-SW	2BALL	12	9~13.5	2500	1150	22.86	10.4~11.3	125~135	H	69
GD1228089MB-SW	2BALL	12	9~13.5	2200	950	16.51	6.7~7.5	80~90	M	56
GD1228089LB-SW	2BALL	12	9~13.5	1800	780	12.95	4.3~5.2	52~62	L	48
GD2428089HB-SW	2BALL	24	18~27.6	2500	1200	22.86	5.2~5.6	125~135	H	72
GD2428089MB-SW	2BALL	24	18~27.6	2200	950	16.51	3.3~3.8	80~90	M	56
GD2428089LB-SW	2BALL	24	18~27.6	1800	780	12.95	2.2~2.6	52~62	L	48
GD4828089HB-SW	2BALL	48	24~55	2350	1200	22.86	2.6~2.8	125~135	H	71
GD4828089MB-SW	2BALL	48	24~55	2200	950	16.51	1.7~1.9	80~90	M	56
GD4828089LB-SW	2BALL	48	24~55	1800	780	13.97	1.1~1.3	52~62	L	48

GULF ELECTRICS CO., LTD

Latest Product Information: www.gulf.com.tw/en

+886-7-5219966 ; service@gulf.com.tw



DC Blowers





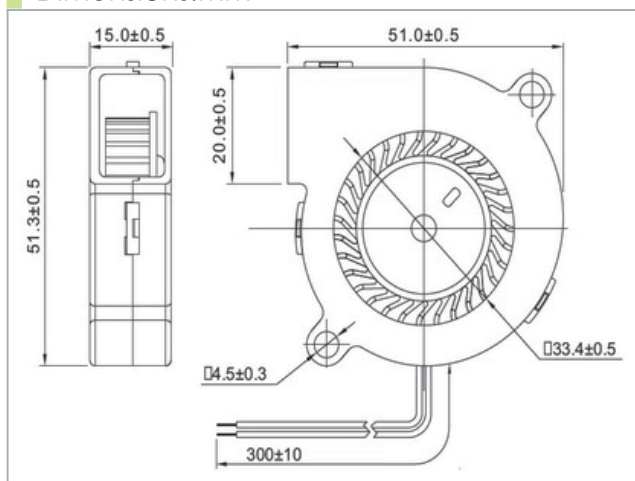
50X50X15mm



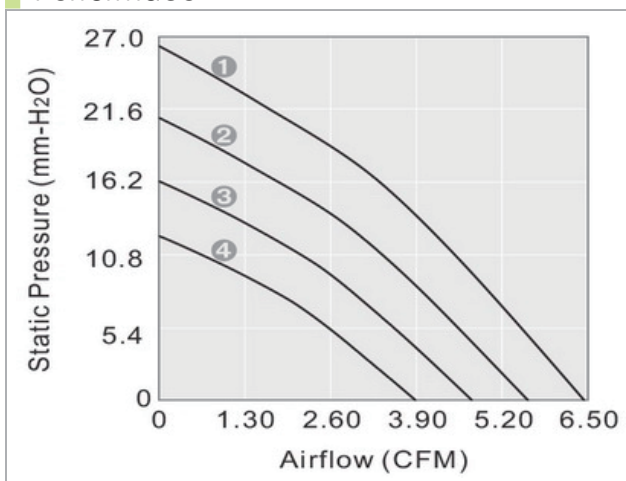
General Specifications

Airflow	3.9~6.3 CFM
Static Pressure	12.0~26.2 mm-H ₂ O
Housing	Plastic Material UL 94V-0 P.B.T.
Blade	Plastic Material UL 94V-0 P.B.T.
Lead Wire	UL1007 #26 AWG

Dimensions:mm



Performance



Specifications

Model NO.	Bearing	Rated Voltage	Operating Voltage Range	Speed RPM	Airflow CFM	Static Pressure mm-H ₂ O	Current mA	Power W	Life at 40 C L10 HOUR	P-Q Curve	Noise dBA	Weight g
		VDC	VDC									
GB055115LB	2BALL	5	4~5.5	4500	3.9	12.0	170	0.85	80000	4	37.5	28
GB055115MB	2BALL	5	4~5.5	5500	4.7	16.2	350	1.75	80000	3	42.0	28
GB125115LB	2BALL	12	7~13.2	4500	3.9	12.0	95	1.14	80000	4	37.5	28
GB125115MB	2BALL	12	7~13.2	5500	4.7	16.2	160	1.92	80000	3	42.0	28
GB125115HB	2BALL	12	7~13.2	6500	5.5	20.9	230	2.76	75000	2	45.5	28
GB125115EB	2BALL	12	7~13.2	7500	6.3	26.2	290	3.48	65000	1	48.5	28
GB125115LL	Sintetico	12	7~13.2	4500	3.9	12.0	100	1.20	50000	4	37.5	28
GB125115ML	Sintetico	12	7~13.2	5500	4.7	16.2	150	1.80	50000	3	42.0	28
GB125115HL	Sintetico	12	7~13.2	6500	5.5	20.9	220	2.64	50000	2	45.5	28
GB125115EL	Sintetico	12	7~13.2	7500	6.3	26.2	290	3.48	50000	1	48.5	28
GB245115LB	2BALL	24	12~26.4	4500	3.9	12.0	60	1.44	80000	4	37.5	28
GB245115MB	2BALL	24	12~26.4	5500	4.7	16.2	85	2.04	80000	3	42.0	28
GB245115HB	2BALL	24	12~26.4	6500	5.5	20.9	120	2.88	75000	2	45.5	28
GB245115EB	2BALL	24	12~26.4	7500	6.3	26.2	180	4.32	65000	1	48.5	28

GULF ELECTRICS CO., LTD

Latest Product Information: www.gulf.com.tw/en
+886-7-5219966 ; service@gulf.com.tw





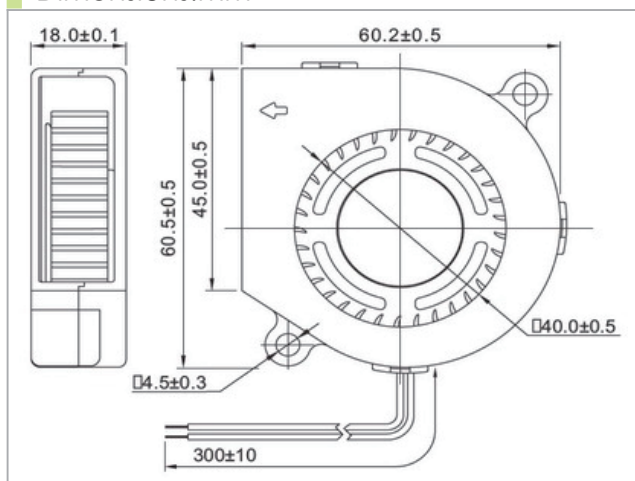
60X60X18mm



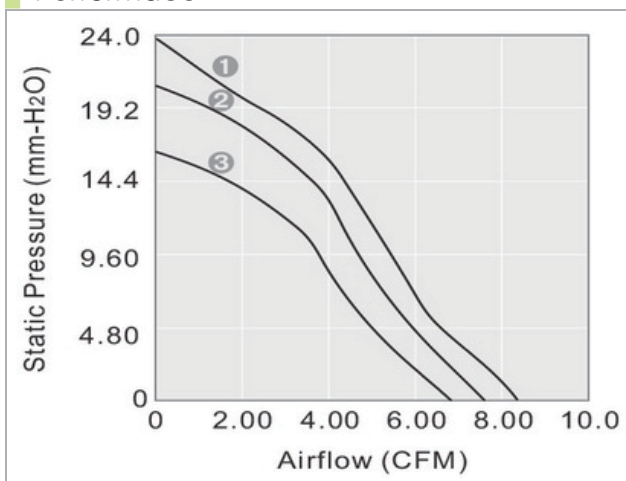
General Specifications

Airflow	6.7~8.2 CFM
Static Pressure	17.6~22.0 mm-H ₂ O
Housing	Plastic Material UL 94V-0 P.B.T.
Blade	Plastic Material UL 94V-0 P.B.T.
Lead Wire	UL1007 #26 AWG

Dimensions:mm



Performance



Specifications

Model NO.	Bearing	Rated Voltage VDC	Operating Voltage Range VDC	Speed RPM	Airflow CFM	Static Pressure mm-H ₂ O	Current mA	Power W	Life at 40 C L10 HOUR	P-Q Curve	Noise dBA	Weight g
GB126018LB	2BALL	12	7~13.2	4200	6.7	17.6	140	1.68	80000	3	38.0	41
GB126018MB	2BALL	12	7~13.2	4800	7.7	21.2	180	2.16	80000	2	43.5	41
GB126018HB	2BALL	12	7~13.2	5400	8.2	22.0	280	3.36	75000	1	49.0	41

GULF ELECTRICS CO., LTD

Latest Product Information: www.gulf.com.tw/en

+886-7-5219966 ; service@gulf.com.tw





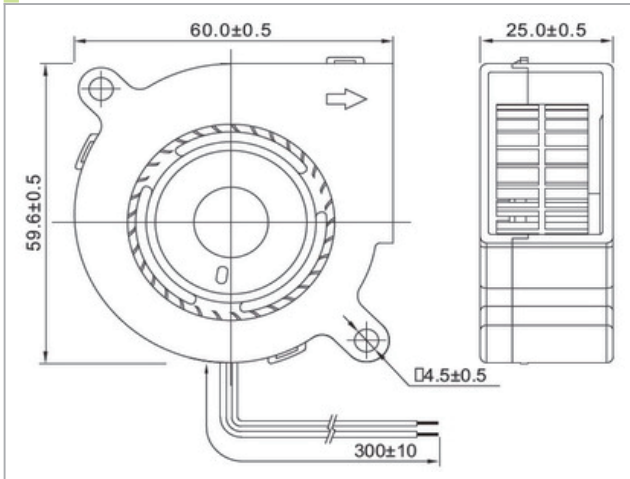
60X60X25mm



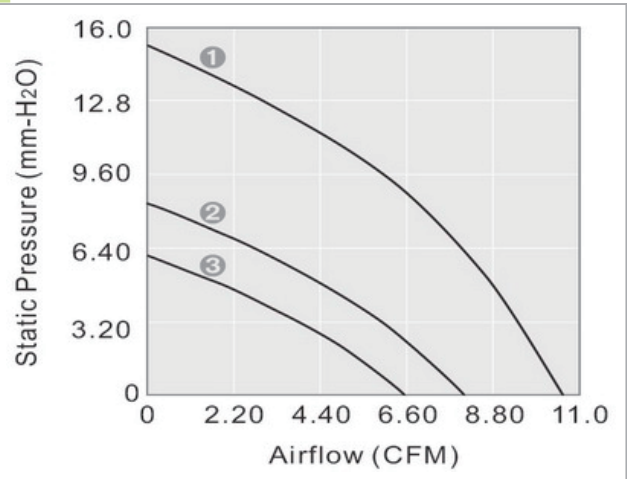
General Specifications

Airflow	6.5~10.6 CFM
Static Pressure	6.1~15.3 mm-H ₂ O
Housing	Plastic Material UL 94V-0 P.B.T.
Blade	Plastic Material UL 94V-0 P.B.T.
Lead Wire	UL1007 #26 AWG

Dimensions:mm



Performance



Specifications

Model NO.	Bearing	Rated Voltage VDC	Operating Voltage Range VDC	Speed RPM	Airflow CFM	Static Pressure mm-H ₂ O	Current mA	Power W	Life at 40 C L10 HOUR	P-Q Curve	Noise dBA	Weight g
GB126025LB	2BALL	12	7~13.2	3000	6.5	6.1	110	1.32	80000	3	31.5	63.6
GB126025MB	2BALL	12	7~13.2	3700	8.1	8.4	180	2.16	80000	2	35.8	63.6
GB126025HB	2BALL	12	7~13.2	4500	10.6	15.3	230	2.76	75000	1	41.0	63.6
GB246025LB	2BALL	24	12~26.4	3000	6.5	6.1	45	1.08	80000	3	31.5	63.6
GB246025MB	2BALL	24	12~26.4	3700	8.1	8.4	70	1.68	80000	2	35.8	63.6
GB246025HB	2BALL	24	12~26.4	4500	10.6	15.3	110	2.64	75000	1	41.5	63.6





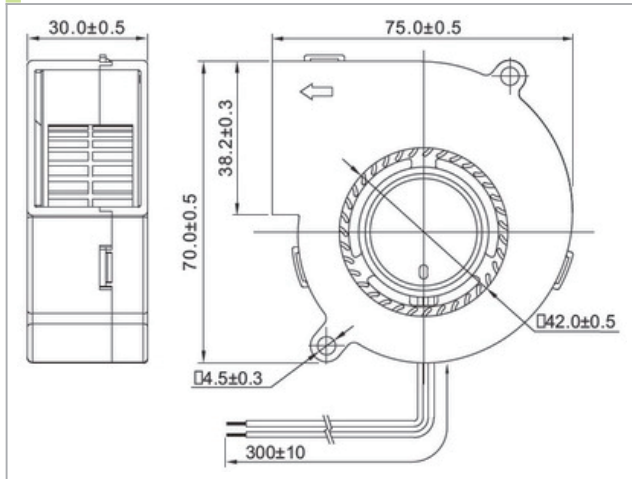
75X75X30mm



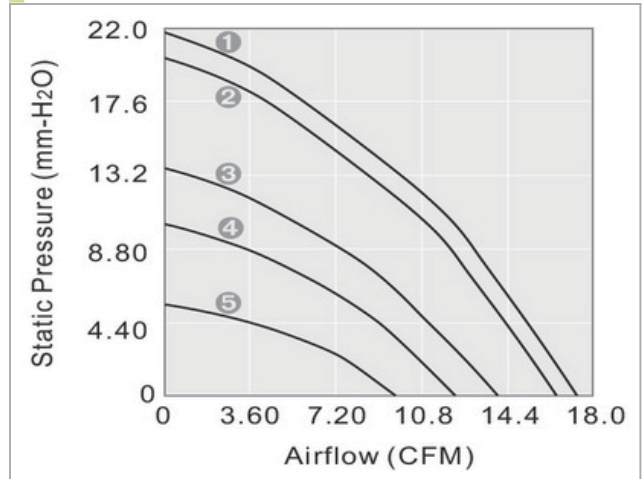
General Specifications

Airflow	9.7~17.3 CFM
Static Pressure	5.5~21.8 mm-H ₂ O
Housing	Plastic Material UL 94V-0 P.B.T.
Blade	Plastic Material UL 94V-0 P.B.T.
Lead Wire	UL1007 #26 AWG

Dimensions:mm



Performance



Specifications

Model NO.	Bearing	Rated Voltage VDC	Operating Voltage Range VDC	Speed RPM	Airflow CFM	Static Pressure mm-H ₂ O	Current mA	Power W	Life at 40 C L10 HOUR	P-Q Curve	Noise dBA	Weight g
GB127530LB	2BALL	12	7~13.2	2400	9.7	5.5	110	1.32	80000	5	37.0	88.9
GB127530MB	2BALL	12	7~13.2	3000	12.2	10.3	190	2.28	80000	4	42.0	88.9
GB127530HB	2BALL	12	7~13.2	3400	14.0	13.7	270	3.24	75000	3	44.5	88.9
GB127530EB	2BALL	12	7~13.2	4000	16.5	20.3	360	4.32	65000	2	48.0	88.9
GB127530EB	2BALL	12	7~13.2	4200	17.3	21.8	430	5.16	65000	1	49.5	88.9
GB127530LS	SLEEVE	12	7~13.2	2300	9.3	5.1	180	2.16	30000	5	36.0	88.9
GB127530MS	SLEEVE	12	7~13.2	2900	11.8	9.8	210	2.52	30000	4	41.0	88.9
GB127530HS	SLEEVE	12	7~13.2	3300	13.6	13.1	300	3.60	25000	3	43.5	88.9
GB247530LB	2BALL	24	12~26.4	2400	9.7	5.5	60	1.44	80000	5	37.0	88.9
GB247530MB	2BALL	24	12~26.4	3000	12.2	10.3	110	2.64	80000	4	42.0	88.9
GB247530HB	2BALL	24	12~26.4	3400	14.0	13.7	150	3.60	75000	3	44.5	88.9
GB247530EB	2BALL	24	12~26.4	4000	16.5	20.3	200	4.80	65000	2	48.0	88.9
GB247530LS	SLEEVE	24	12~26.4	2400	9.7	5.5	110	2.64	30000	5	37.0	88.9
GB247530MS	SLEEVE	24	12~26.4	3000	12.2	10.3	150	3.60	30000	4	42.0	88.9
GB247530HS	SLEEVE	24	12~26.4	3400	14.0	13.7	190	4.56	25000	3	44.5	88.9
GB247530ES	SLEEVE	24	12~26.4	4000	16.5	20.3	200	4.80	20000	2	48.0	88.9

GULF ELECTRICS CO., LTD

Latest Product Information: www.gulf.com.tw/en
+886-7-5219966 ; service@gulf.com.tw





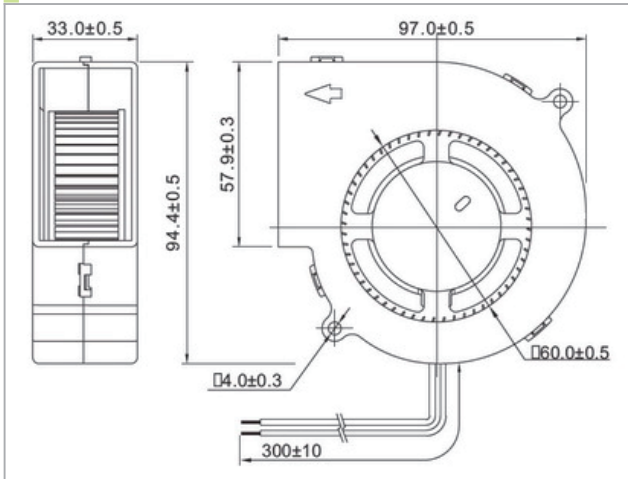
97X97X33mm



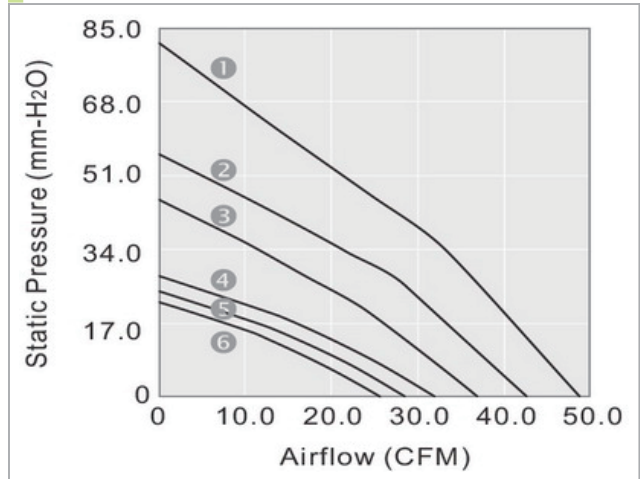
General Specifications

Airflow	25.6~32.4 CFM
Static Pressure	22.1~28.1 mm-H ₂ O
Housing	Plastic Material UL 94V-0 P.B.T.
Blade	Plastic Material UL 94V-0 P.B.T.
Lead Wire	UL1007 #24 AWG

Dimensions:mm



Performance



Specifications

Model NO.	Bearing	Rated Voltage VDC	Operating Voltage Range VDC	Speed RPM	Airflow CFM	Static Pressure mm-H ₂ O	Current mA	Power W	Life at 40 C L10 HOUR	P-Q Curve	Noise dBA	Weight g
GB129733LB	2BALL	12	7~13.2	2600	25.6	22.1	400	4.80	80000	6	40.0	156.7
GB129733MB	2BALL	12	7~13.2	2900	28.5	24.7	480	5.76	80000	5	42.5	156.7
GB129733HB	2BALL	12	7~13.2	3300	32.4	28.1	740	8.88	75000	4	48.5	156.7
GB129733EB	2BALL	12	7~13.2	3700	34.2	29.4	850	10.20	65000	3	53.0	156.7
GB129733UB	2BALL	12	7~13.2	4500	42.6	56.0	1400	16.80	65000	2	58.0	156.7
GB249733LB	2BALL	24	12~26.4	2600	25.6	22.1	210	5.04	80000	6	40.0	156.7
GB249733MB	2BALL	24	12~26.4	2900	28.5	24.7	280	6.72	80000	5	42.5	156.7
GB249733HB	2BALL	24	12~26.4	3300	32.4	28.1	420	10.08	75000	4	48.5	156.7
GB249733EB	2BALL	24	12~26.4	3700	34.2	29.4	400	9.60	65000	3	53.0	156.7
GB249733UB	2BALL	24	12~26.4	4500	42.6	56.0	680	16.32	65000	2	58.0	156.7
GB249733SB	2BALL	24	12~26.4	5300	48.9	81.5	1300	31.20	60000	1	62.0	156.7

GULF ELECTRICS CO., LTD

Latest Product Information: www.gulf.com.tw/en
+886-7-5219966 ; service@gulf.com.tw





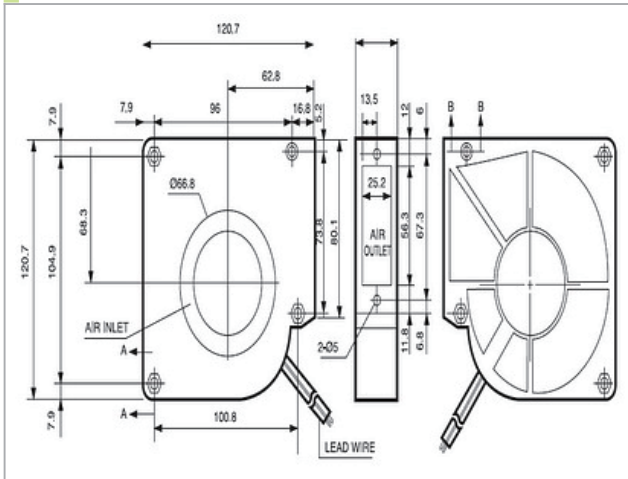
120X120X31mm



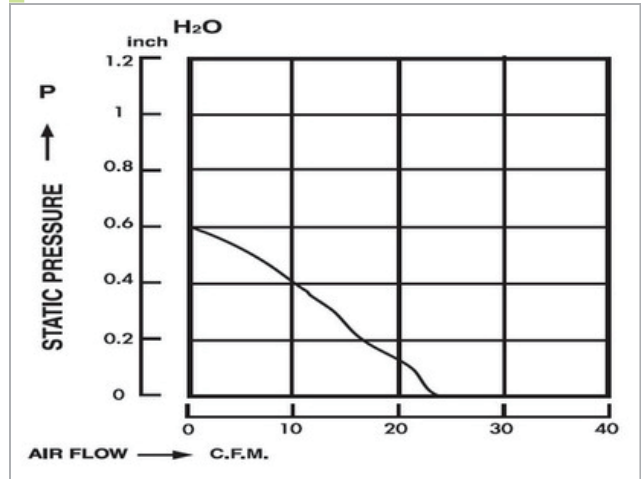
General Specifications

Airflow	25 CFM
Static Pressure	0.60 Inch-H ₂ O
Housing	Plastic With Fiber Glass Filled UL 94V-0
Impeller	Plastic With Fiber Glass Filled UL 94V-0
Connecting	Wire Leads

Dimensions:mm



Performace



Specifications

Model NO.	Bearing	Rated Voltage VDC	Speed RPM	Airflow CFM	Static Pressure Inch-H ₂ O	Current A	Power W	Noise dBA
CIC-120-12	2BALL	12	2700	25	0.60	0.60	7.20	45
CIC-120-24	2BALL	24	2700	25	0.60	0.33	7.92	45





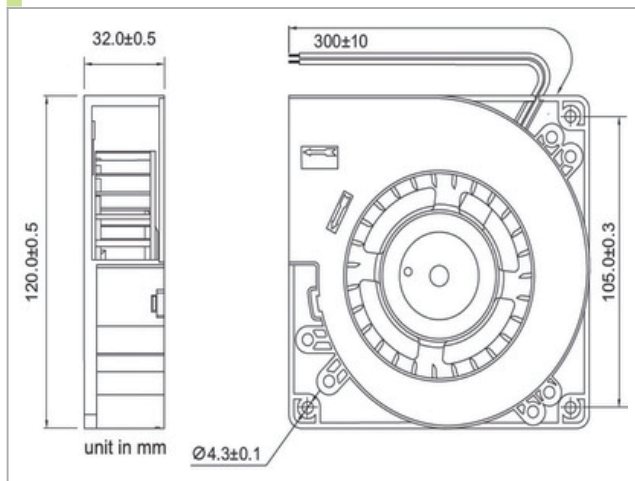
120X120X32mm



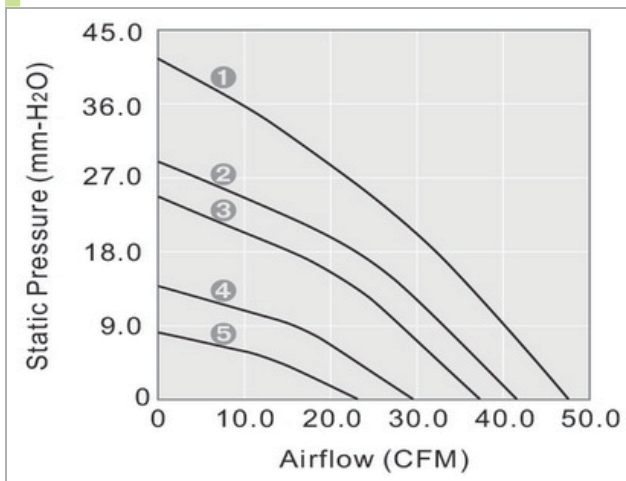
General Specifications

Airflow	23.0~47.5 CFM
Static Pressure	8.0~41.7 mm-H ₂ O
Housing	Plastic Material UL 94V-0 P.B.T.
Blade	Plastic Material UL 94V-0 P.B.T.
Lead Wire	UL1007 #22 AWG

Dimensions:mm



Performance



Specifications

Model NO.	Bearing	Rated Voltage VDC	Operating Voltage Range VDC	Speed RPM	Airflow CFM	Static Pressure mm-H ₂ O	Current mA	Power W	Life at 40°C L10 HOUR	P-Q Curve	Noise dBA	Weight g
GB121232LB	2BALL	12	7~13.2	1700	23.0	8.0	150	1.80	80000	5	42.5	258.5
GB121232MB	2BALL	12	7~13.2	2100	29.5	13.8	250	3.00	80000	4	49.5	258.5
GB121232HB	2BALL	12	7~13.2	2600	37.2	24.7	700	8.40	75000	3	57.0	258.5
GB121232EB	2BALL	12	7~13.2	2900	41.4	29.0	900	10.80	65000	2	59.0	258.5
GB121232UB	2BALL	12	7~13.2	3500	47.5	41.7	1500	18.00	65000	1	62.0	258.5
GB241232LB	2BALL	24	12~26.4	1700	23.0	8.0	120	2.88	80000	5	42.5	258.5
GB241232MB	2BALL	24	12~26.4	2100	29.5	13.8	180	4.32	80000	4	49.5	258.5
GB241232HB	2BALL	24	12~26.4	2600	37.2	24.7	260	6.24	75000	3	57.0	258.5
GB241232EB	2BALL	24	12~26.4	2900	41.4	29.0	450	10.80	65000	2	59.0	258.5
GB241232UB	2BALL	24	12~26.4	3500	47.5	41.7	830	19.92	65000	1	62.0	258.5

GULF ELECTRICS CO., LTD

Latest Product Information: www.gulf.com.tw/en
+886-7-5219966 ; service@gulf.com.tw





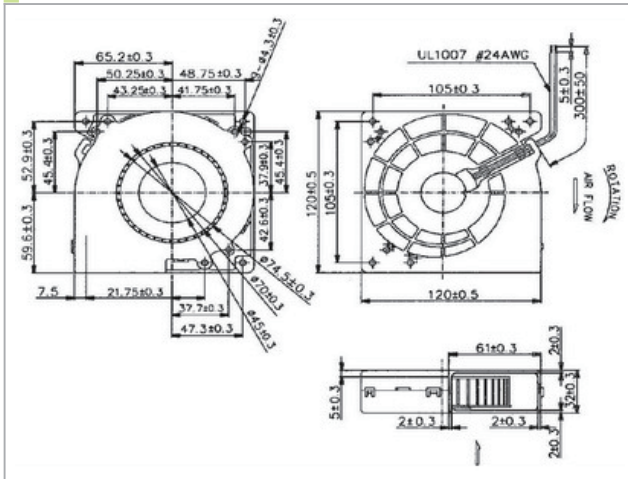
120X120X32mm



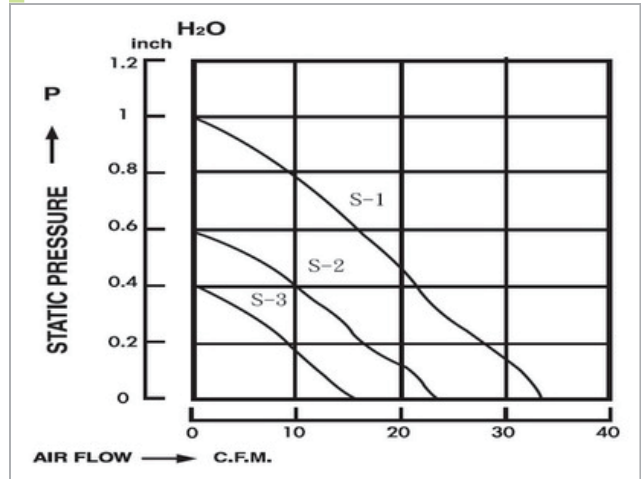
General Specifications

Airflow	17.0~32.5 CFM
Static Pressure	0.40~1.00 Inch-H2O
Housing	Plastic With Fiber Glass Filled UI 94V-0
Impeller	Plastic With Fiber Glass Filled UI 94V-0
Connecting	Wire Leads

Dimensions:mm



Performance



Specifications

Model NO.	Bearing	Rated Voltage	Speed	Airflow	Static Pressure	Current	Power	Noise
		VDC		RPM	CFM	Inch-H2O	A	W
CIC-120-A-12	2BALL	12	2800	32.5	1.00	0.95	11.40	54
CIC-120-A-24	2BALL	24	2800	32.5	1.00	0.54	12.96	54

GULF ELECTRICS CO., LTD

Latest Product Information: www.gulf.com.tw/en

+886-7-5219966 ; service@gulf.com.tw

