

AC Centrifugal Fan

Ø190mm

GC19067 AC

67mm thick



General Specifications

Material	Plastic Impeller
Bearings	Maintenance-Free Ball Bearings
Motor Type	AC Induction Capacitor
Connection	Lead wire
Dielectric Strength	1800 VAC for 1 Sec.
Insulation Resistance	100 MΩ min.@500VDC
Operating Temperature	-20°C to +70°C
Type of Protection	Insulation Class F
Safety	Thermally Protected (Auto Restart)



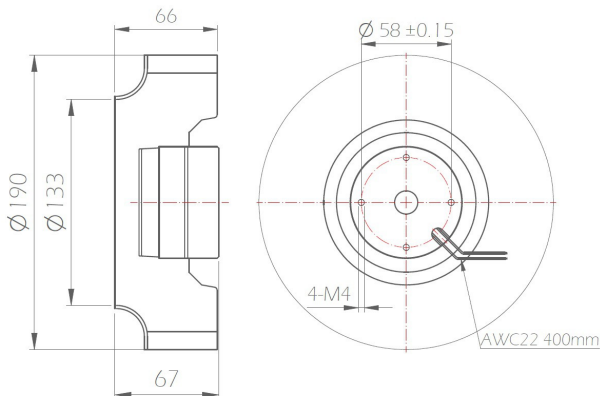
- Plastic Impeller
- Weight : 890 g
- Rohs Compliance

Ø190 x 67 mm ‹ Medium Speed ›

Specifications

Model No.	Voltage VAC	Freq Hz	Current A	Power W	Speed rpm	Pressure mmAq	Air Flow CFM	Noise dB	TUV	UL	CE
GC119067MBL-S	115	50/60	0.39/0.42	45/48	2000/1800	28/26	225/190	61/59			
GC219067MBL-S	230		0.17/0.19	39/44		28/28	230/200				

Dimensions (Unit : mm)



Air Flow and Static Pressure

