

## AC Centrifugal Fan

Ø170mm

## GC17065 AC

65mm thick



### General Specifications

Material	Plastic Impeller
Bearings	Maintenance-Free Ball Bearings
Motor Type	AC Induction Capacitor
Connection	Lead wire
Dielectric Strength	1800 VAC for 1 Sec.
Insulation Resistance	100 MΩ min.@500VDC
Operating Temperature	-20°C to +70°C
Type of Protection	Insulation Class F
Safety	Thermally Protected (Auto Restart)



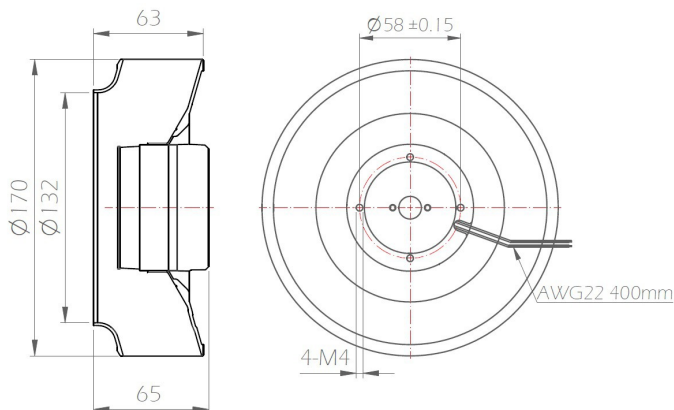
- Plastic Impeller
- Weight : 900 g
- Rohs Compliance

Ø170 x 65 mm ‹ High Speed ›

### Specifications

Model No.	Voltage VAC	Freq Hz	Current A	Power W	Speed rpm	Pressure mmAq	Air Flow CFM	Noise dB	TUV	UL	CE
GC117065HBL-S	115	50/60	0.26/0.27	27/31	2750/3100	22/28	210/240	67/69			
GC217065HBL-S	230		0.10/0.13	24/30							

### Dimensions (Unit : mm)



### Air Flow and Static Pressure

